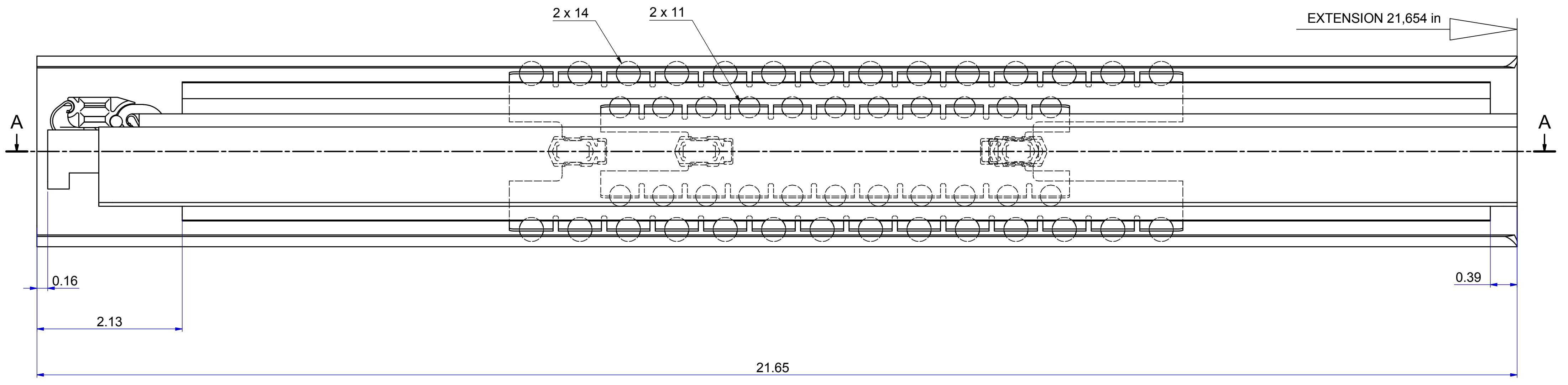
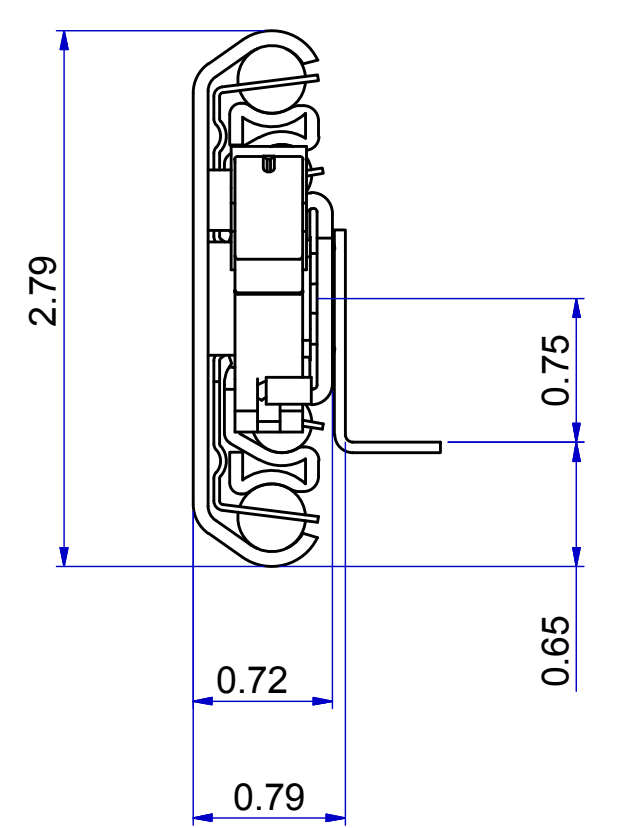
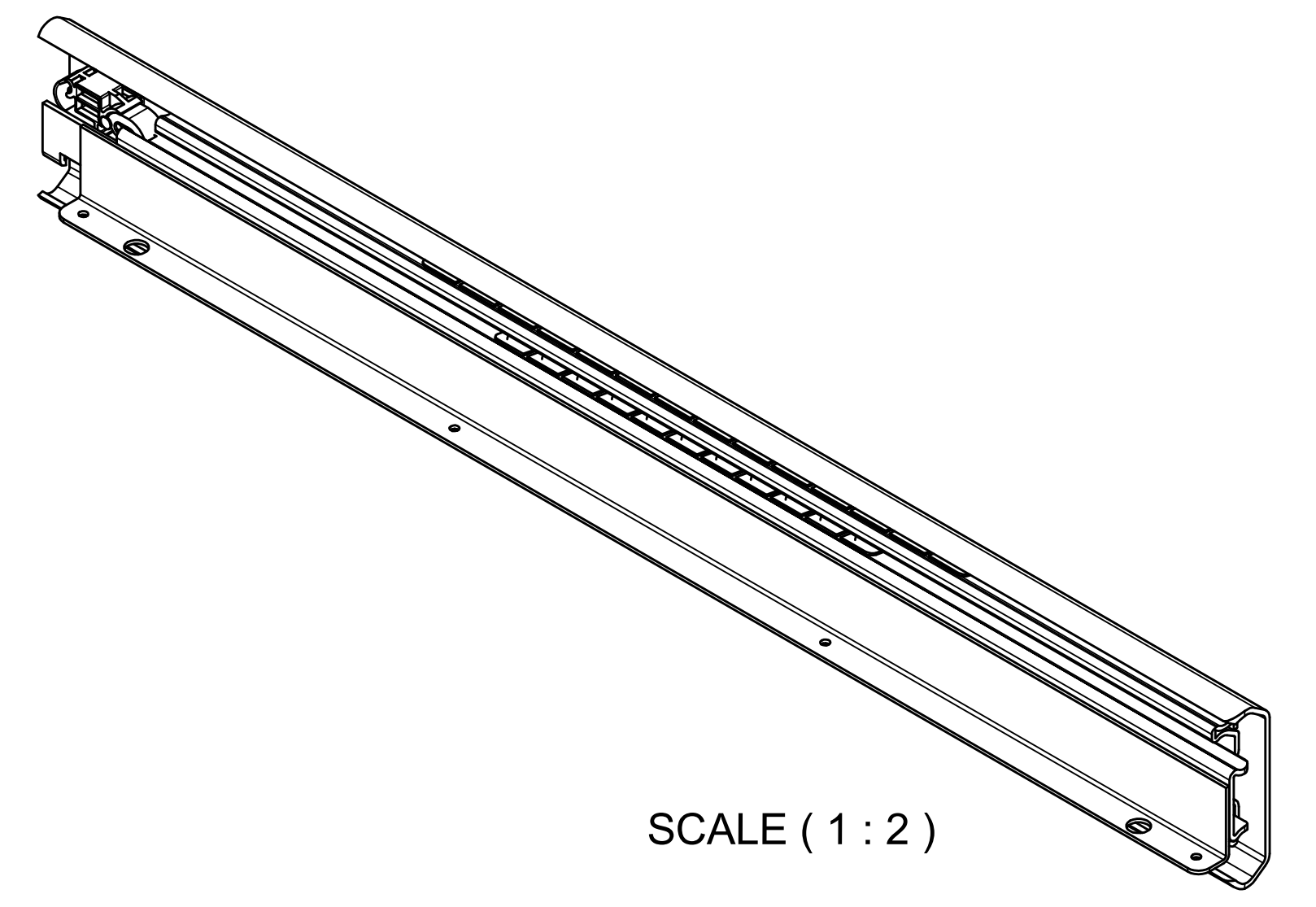
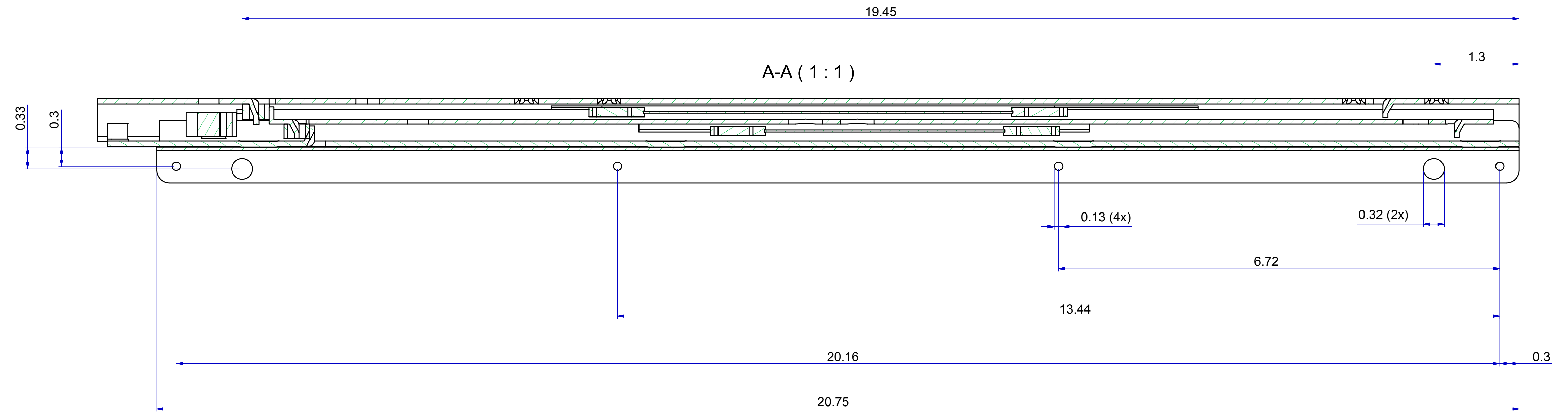
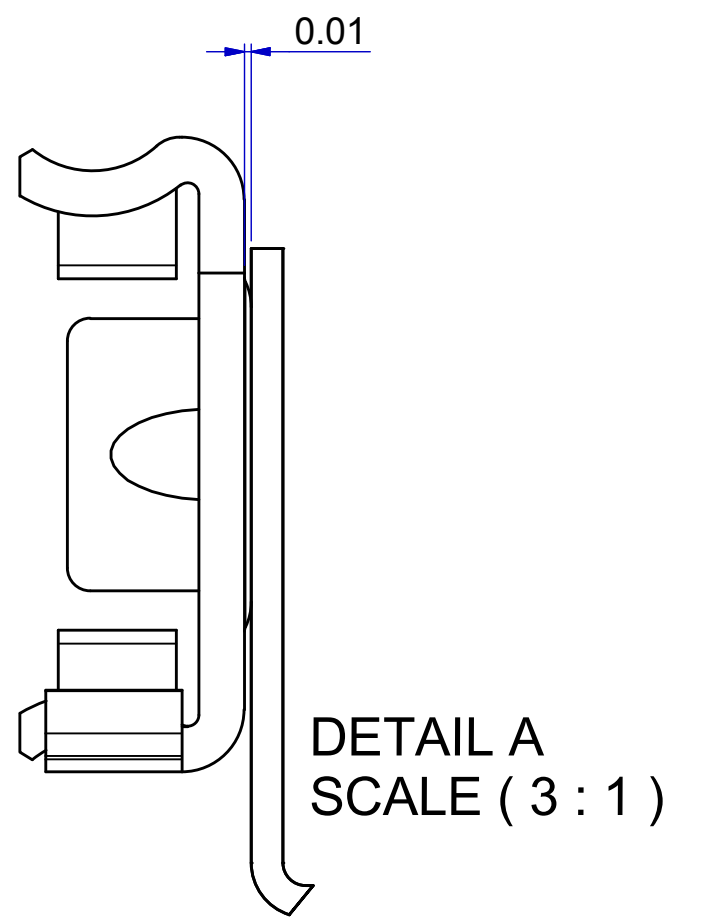
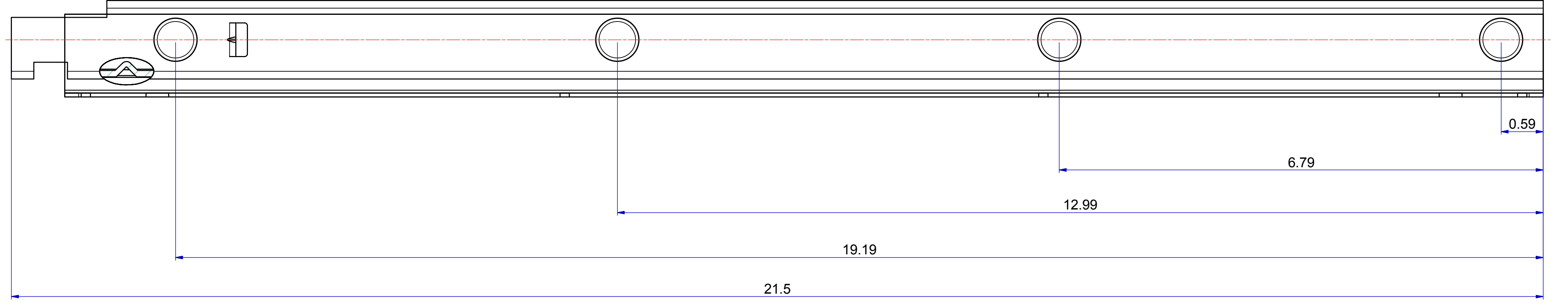
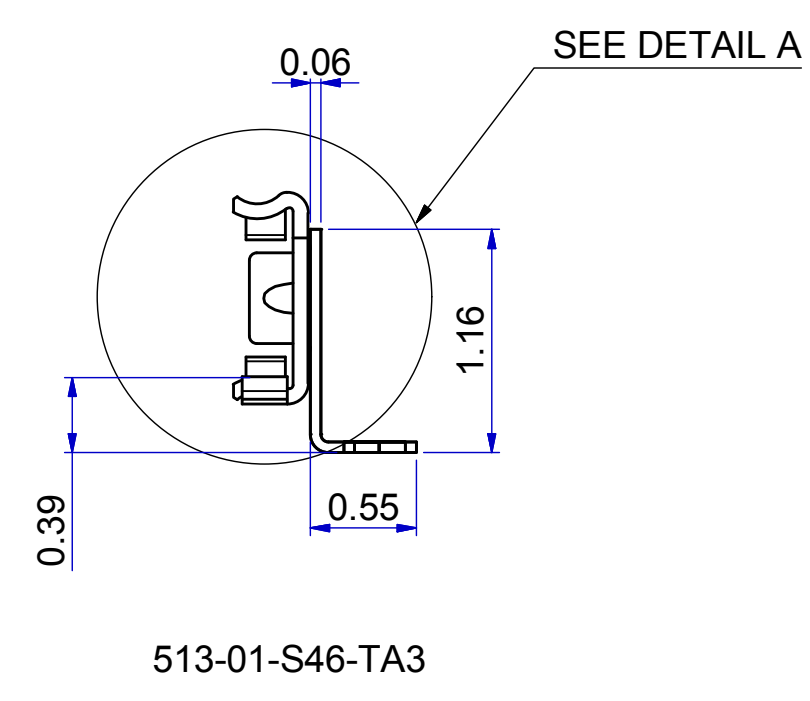
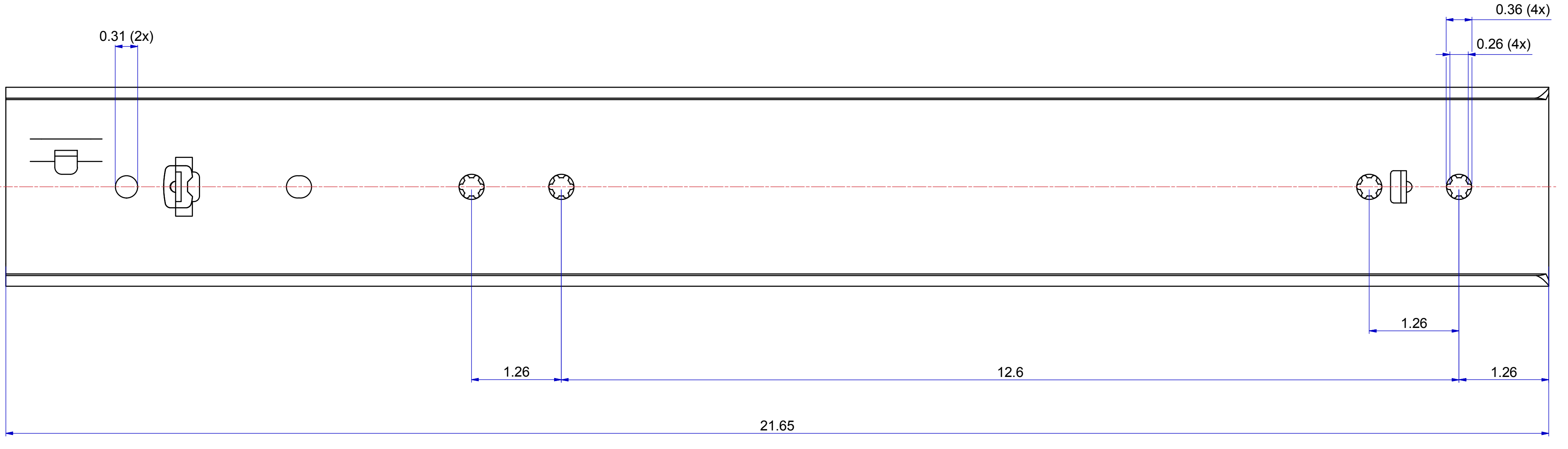
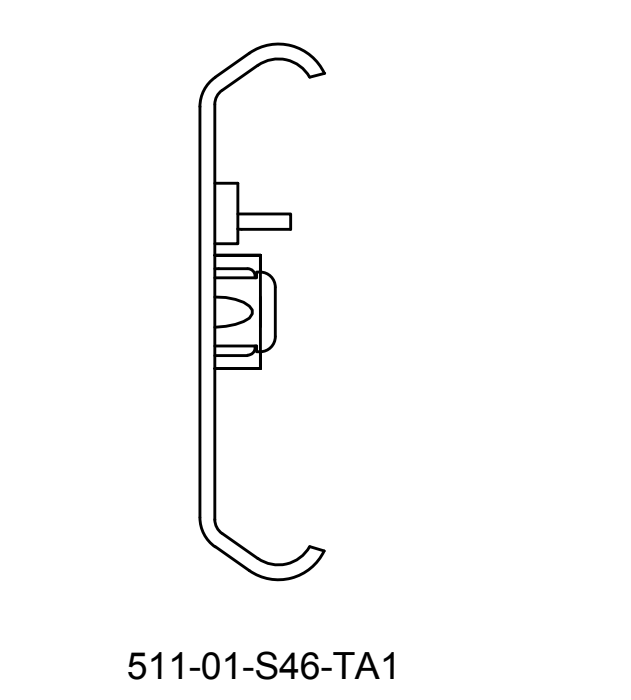


T 1-2 = 9.606 in
T 2-3 = 12.047 in



FRONT



DIMENSIONS ARE CALCULATED FROM METRIC VALUES
THOMAS REGOUT B.V. RESERVES THE RIGHT TO ALTER NON-CUSTOMER SPECIFICATIONS WITHOUT NOTICE

| | | | |
|-------------------------|-----------------|------------------------|----------------------------|
| Designer: D.Kopper | Gen.Tol.Dim: | Third angle projection | Material: Generic |
| Date: 26-10-2015 | Gen.Tol.Angle: | | Treatment: |
| Approver: Gen.Roughness | | Draw type: Fabrication | Doc.No: E000094697 |
| Date: | Units: Inch/deg | Scale: 1:1 | Type: Model No: E000036306 |

Description: TITAN 550 / 550 (18,4mm) [21.65"/21.65"(0.724")]

| | | | |
|------------|----------------------------------|-----------------------|--------------|
| Format: A0 | THOMAS REGOUT INTERNATIONAL B.V. | Item No: 101-S46_Inch | Revision: 00 |
|------------|----------------------------------|-----------------------|--------------|

© THOMAS REGOUT INTERNATIONAL B.V., Industrieweg 40, 6219 NR, Maastricht, The Netherlands, +31 (0)43 353 66 66 All rights are reserved.