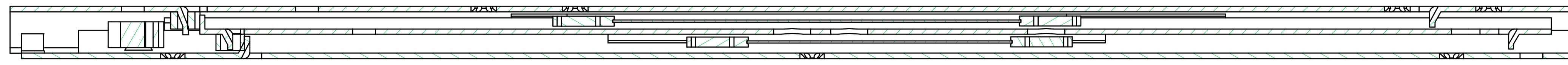


T 1-2 = 9,606 in
T 2-3 = 12,047 in

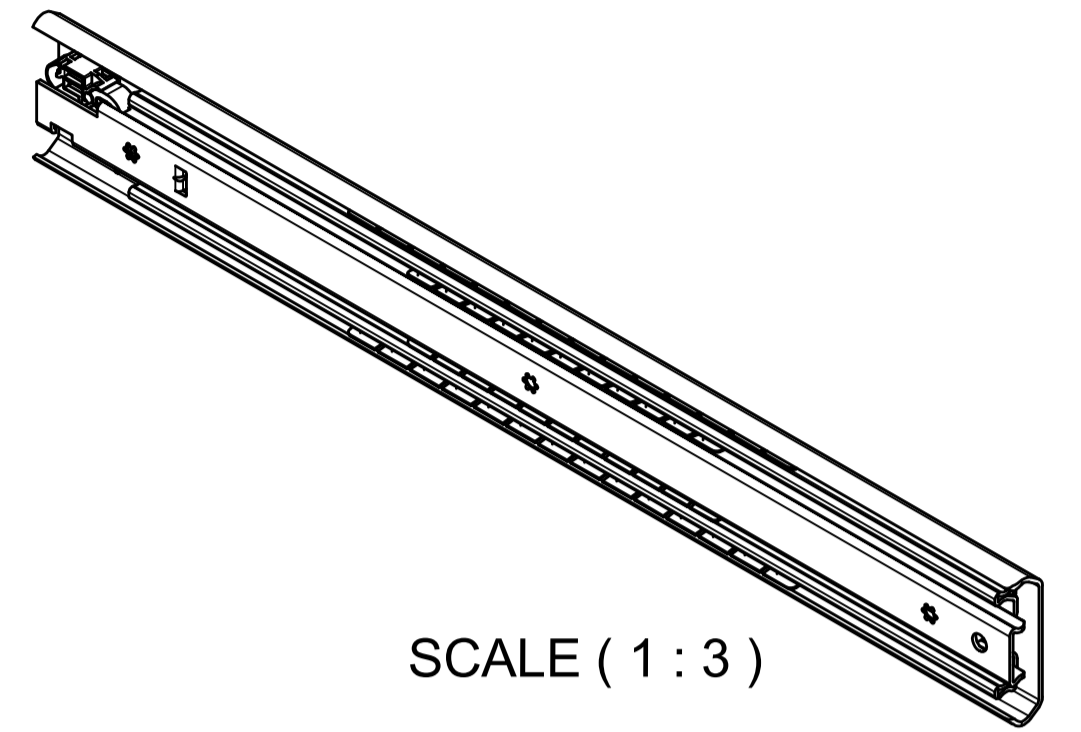
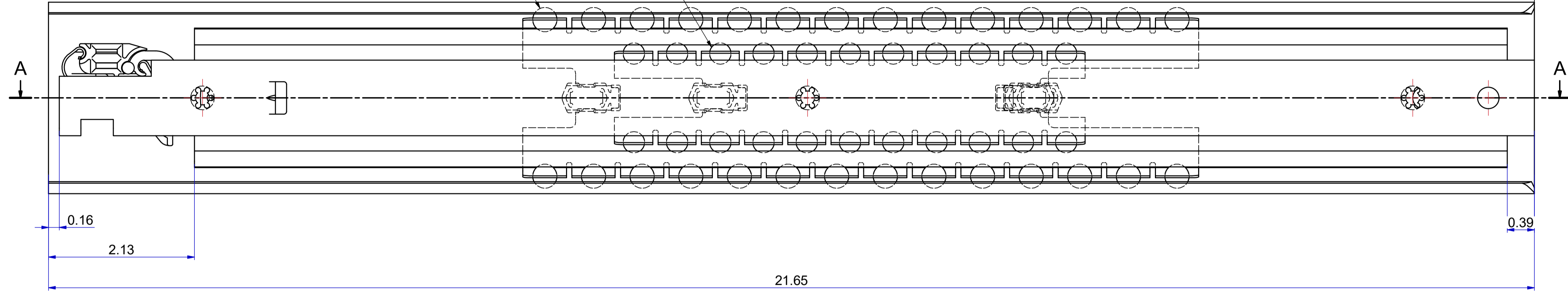
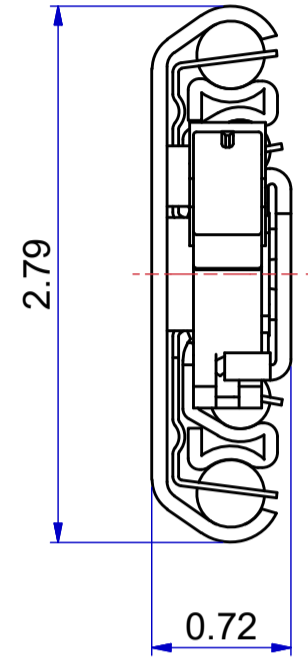
A-A (1:1)



2 x 14

2 x 11

EXTENSION 21,654 in



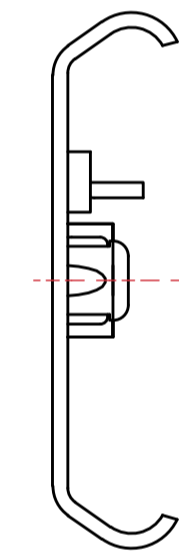
SCALE (1:3)

FRONT

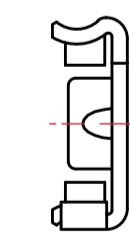
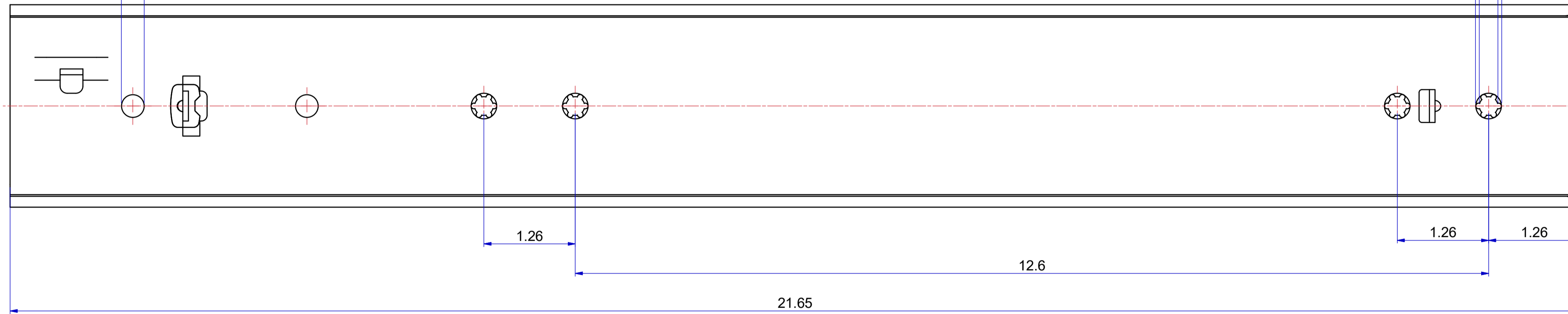
0.31 (2x)

0.36 (4x)

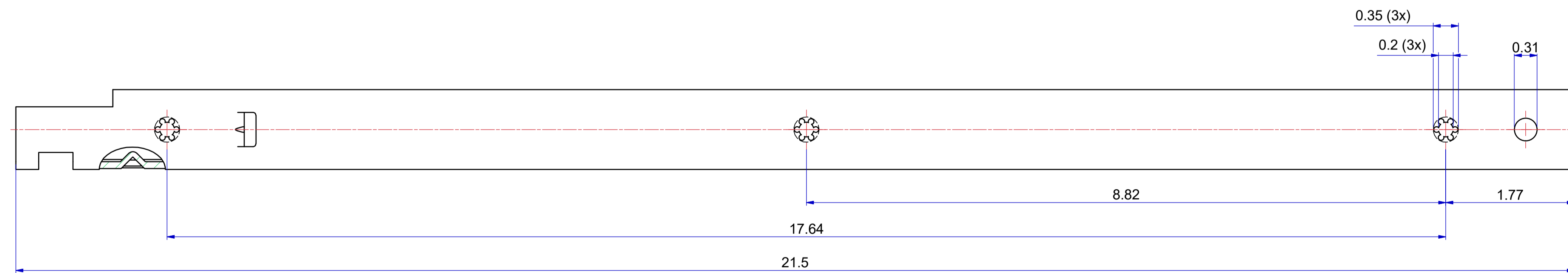
0.26 (4x)



511-01-S66-TA1



513-01-S66-TA3



DIMENSIONS ARE CALCULATED FROM METRIC VALUES
THOMAS REGOUT B.V. RESERVES THE RIGHT TO ALTER NON-CUSTOMER
SPECIFICATIONS WITHOUT NOTICE

Designer D.Koper	Gen.Tol.Dim.	Third angle projection	Material Generic
Date 26-10-2015	Gen.Tol.Angle		Treatment
Approver Gen.Rougness	Gen.Rougness		Draw type Fabrication
Date	Units Inch/deg	Scale 1:1	Type Model No. E000036321

Description
TITAN 550 / 550 (18,4mm) [21.65"/21.65"(0.724")]
Released for Production

Format A1	THOMAS REGOUT INTERNATIONAL B.V.	Item No. 101-S66_Inch	Revision 00
-----------	----------------------------------	-----------------------	-------------