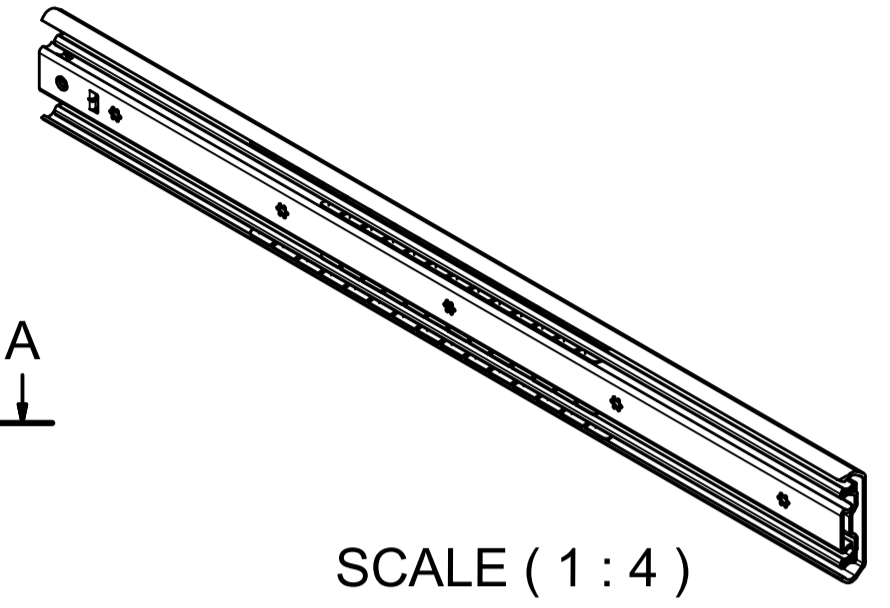
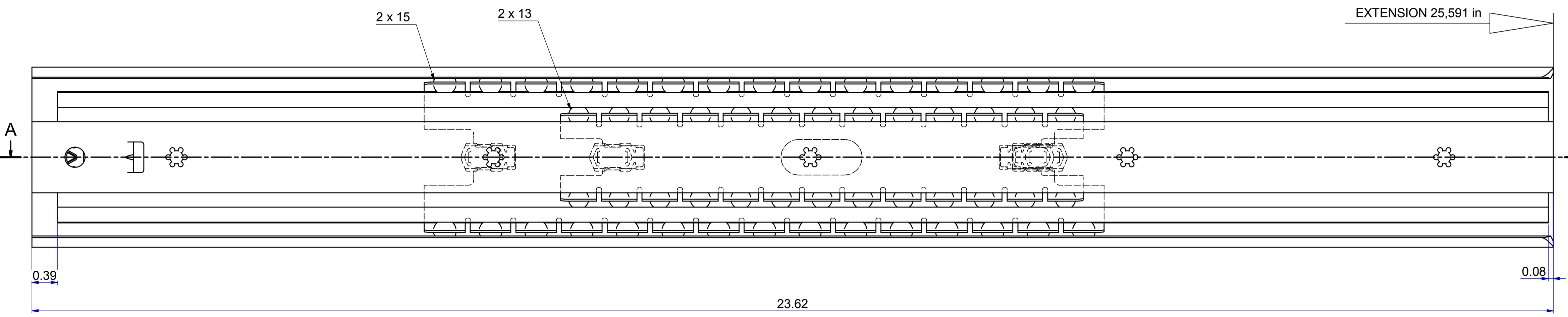
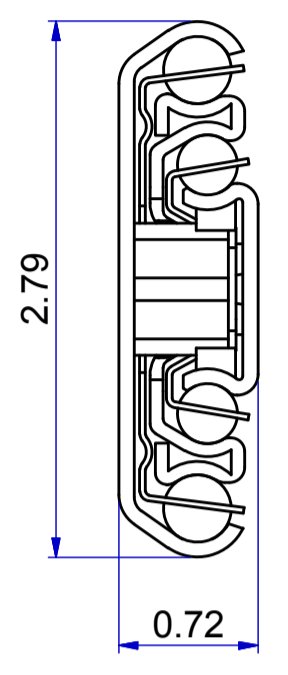
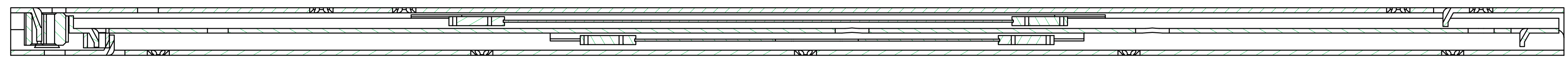
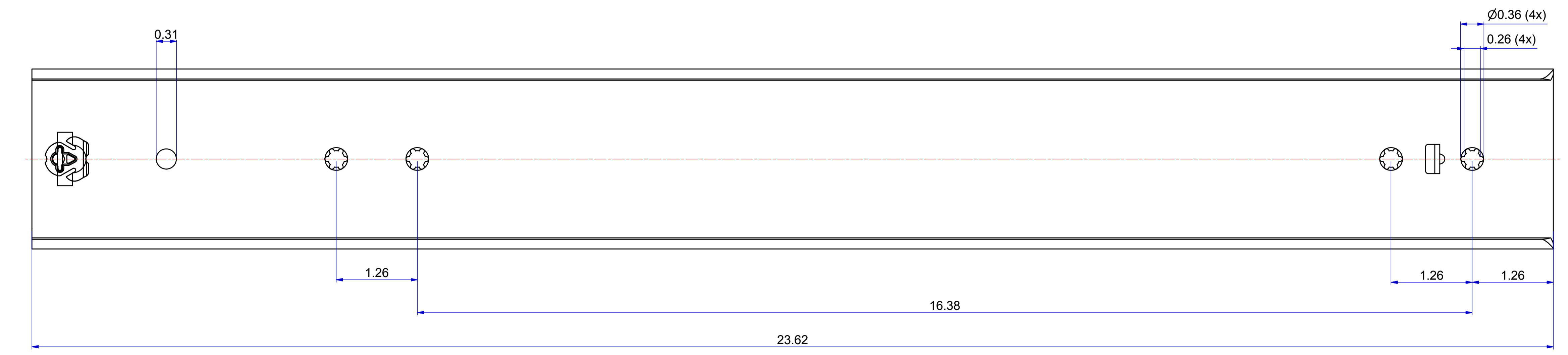


A-A (1:1)

T 1-2 = 11,417 in  
T 2-3 = 14,173 in

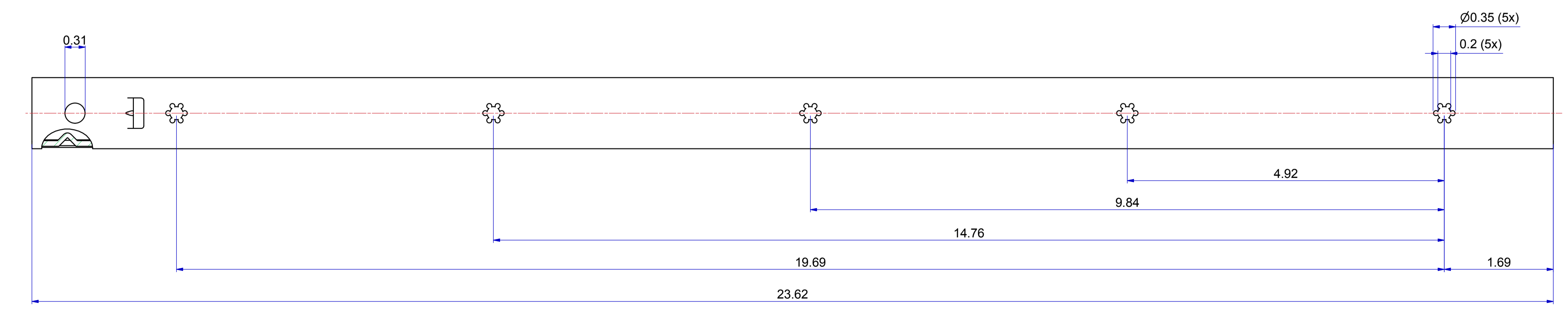


SCALE (1:4)



FRONT

511-01-S27-TA1



513-01-S27-TA3

Released for Production

DIMENSIONS ARE CALCULATED FROM METRIC VALUES  
THOMAS REGOUT B.V. RESERVES THE RIGHT TO ALTER NON-CUSTOMER SPECIFICATIONS WITHOUT NOTICE

Designer	Gen.Tol.Dim.	Third angle projection	Material	Generic
Date	26-10-2015	Gen.Tol.Angle	Treatment	
Approver	Gen.Roughness		Draw type	Fabrication
Date	Units		Inch/deg	Scale
Description			Type	Model No.
TITAN 600 / 650 (18,4mm) [23.62"/25.59"(0.724")]			Released for Production	E000094383
Format	A1	THOMAS REGOUT INTERNATIONAL B.V.	Item No.	101-S27_Inch
© THOMAS REGOUT INTERNATIONAL BV, Industrieweg 40, 6219 NR, Maastricht, The Netherlands, +31 (0)43 351 66 66			Revision	00
All rights are reserved.				