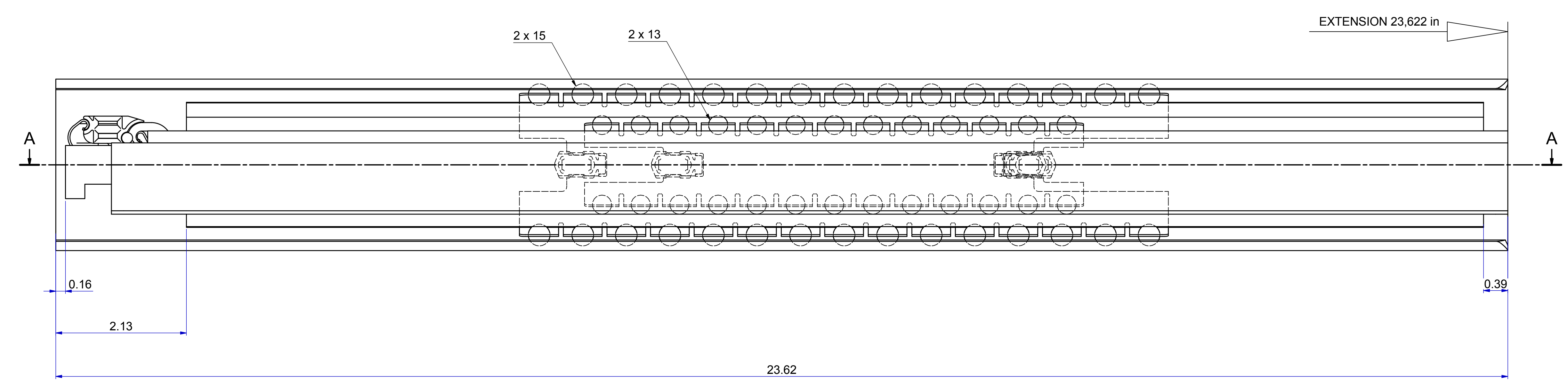
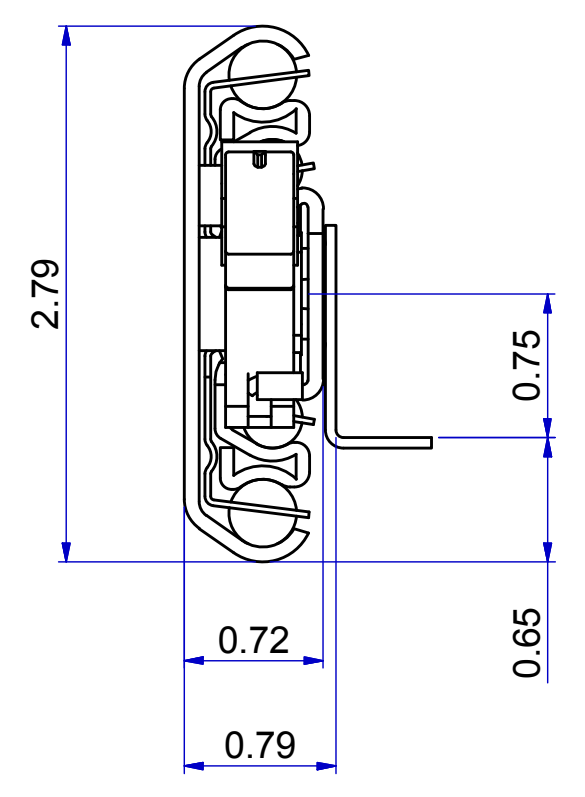
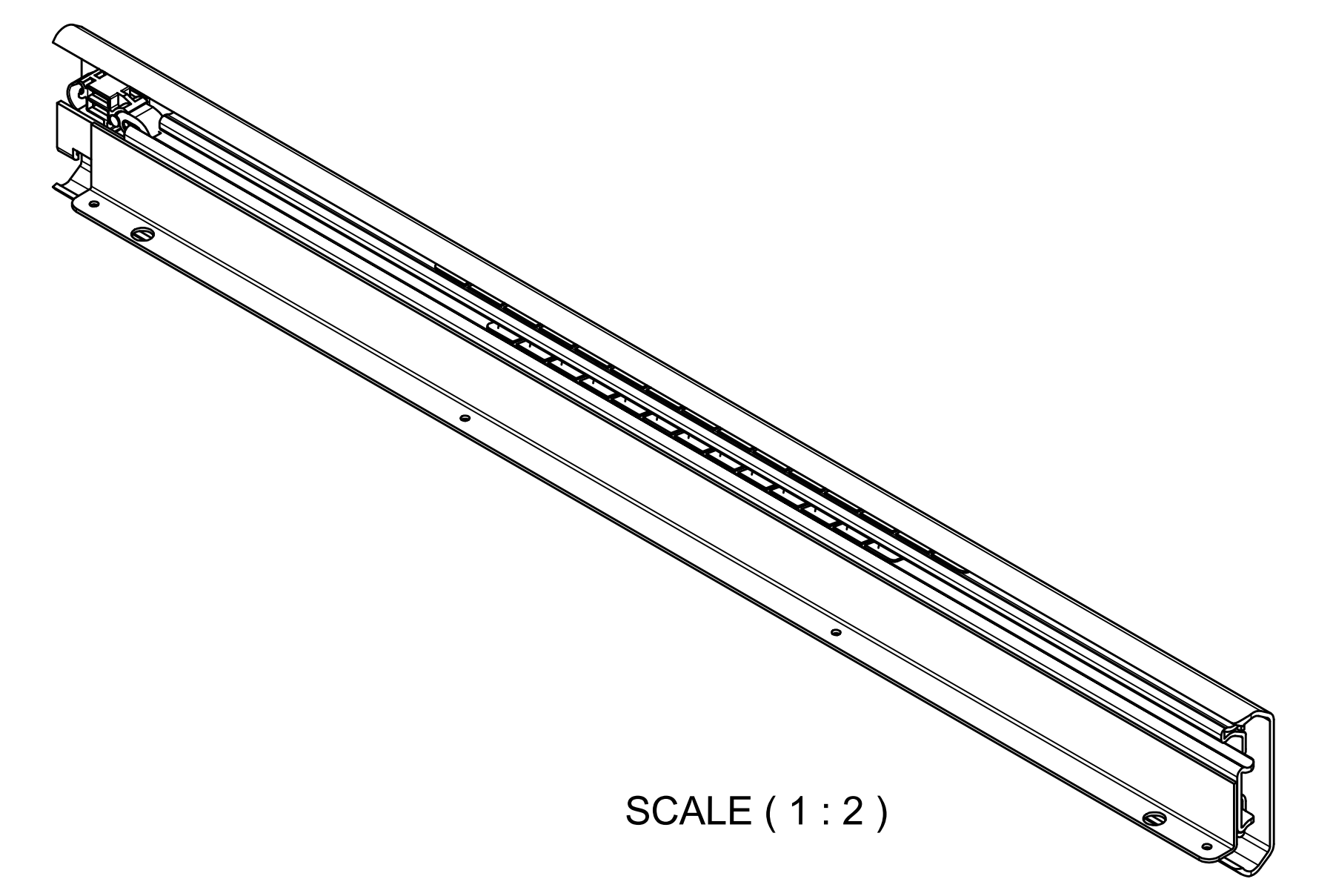
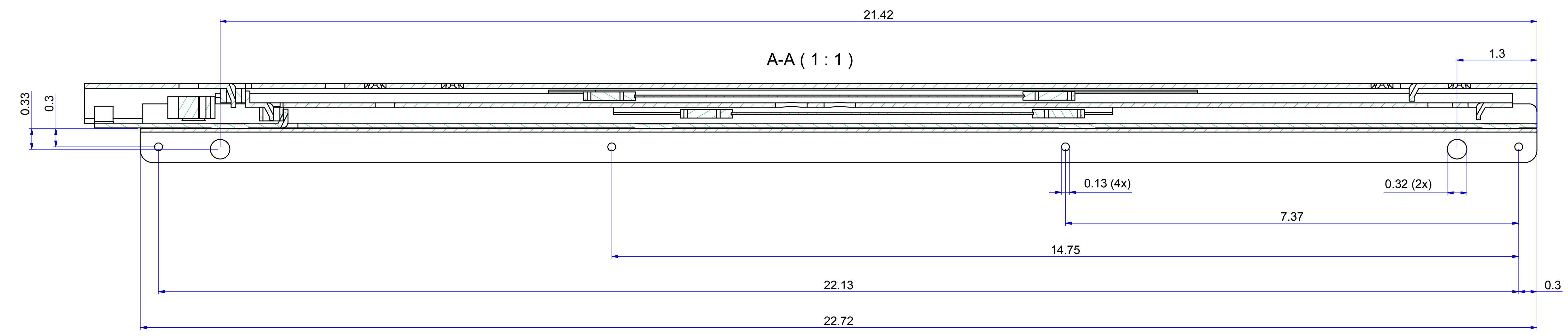
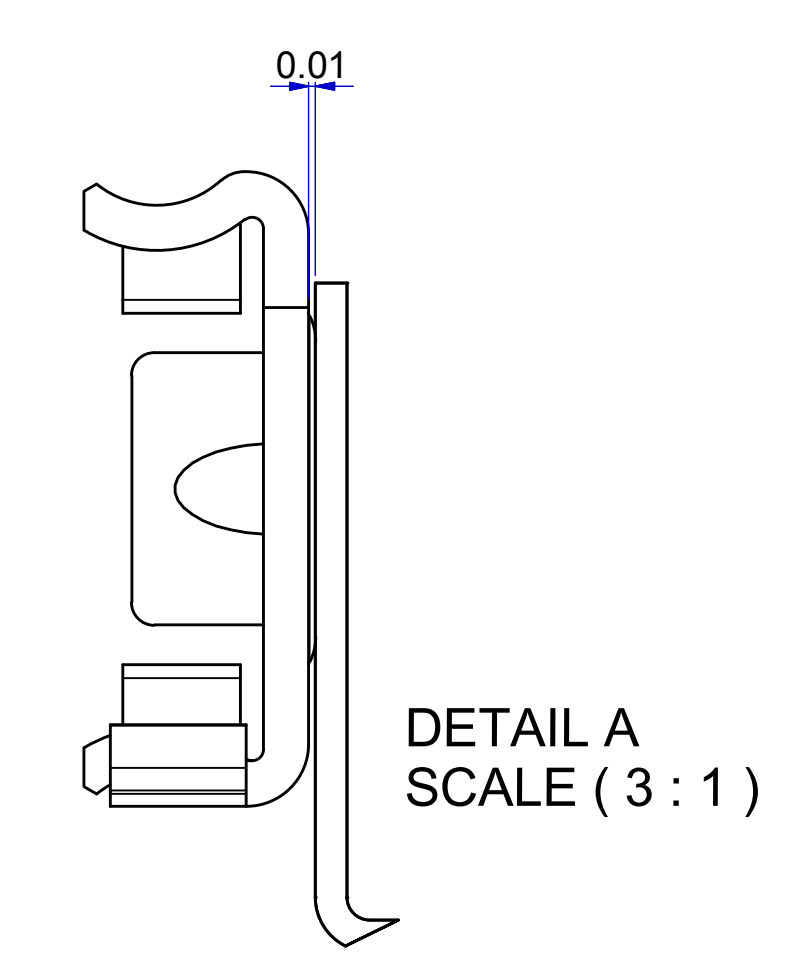
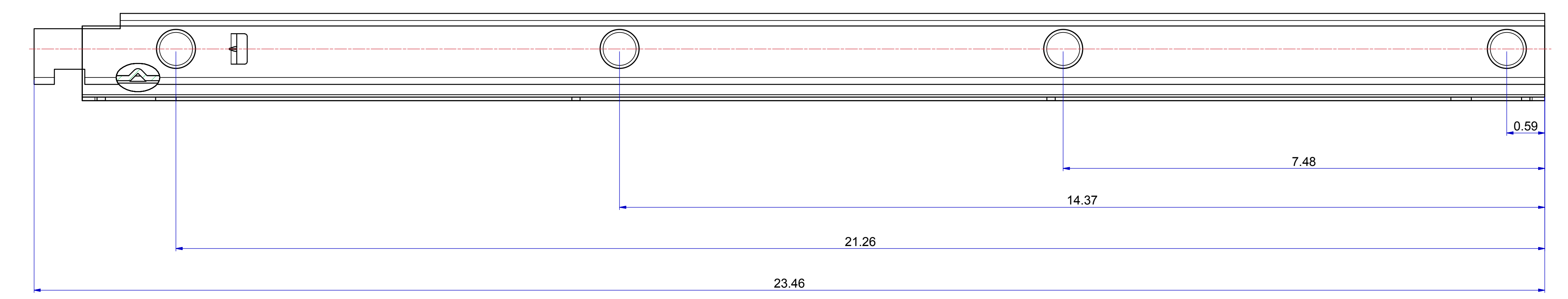
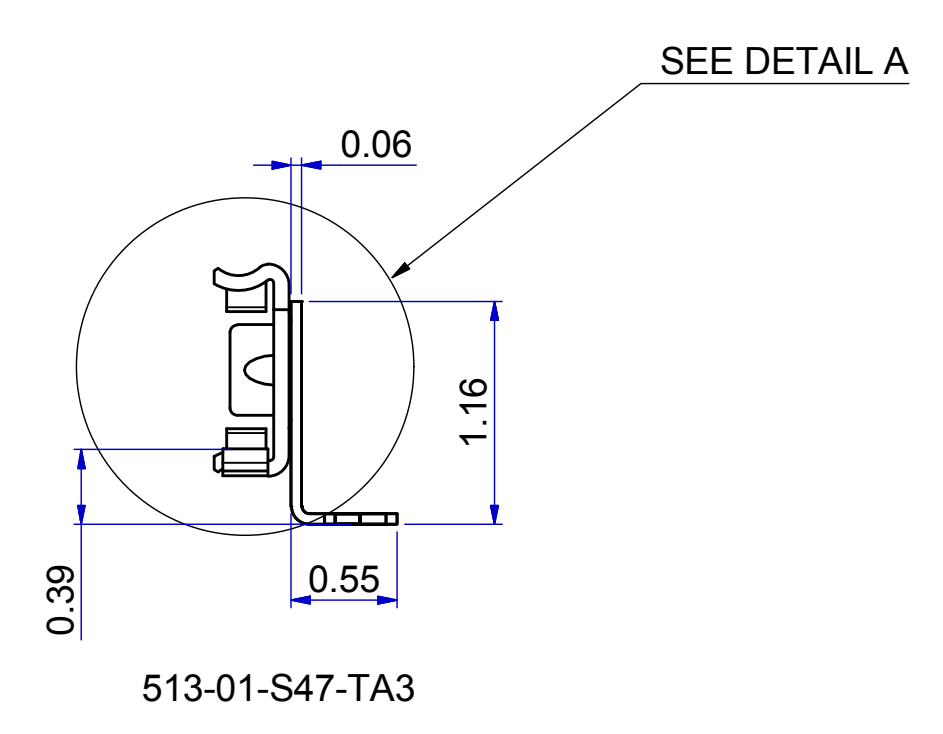
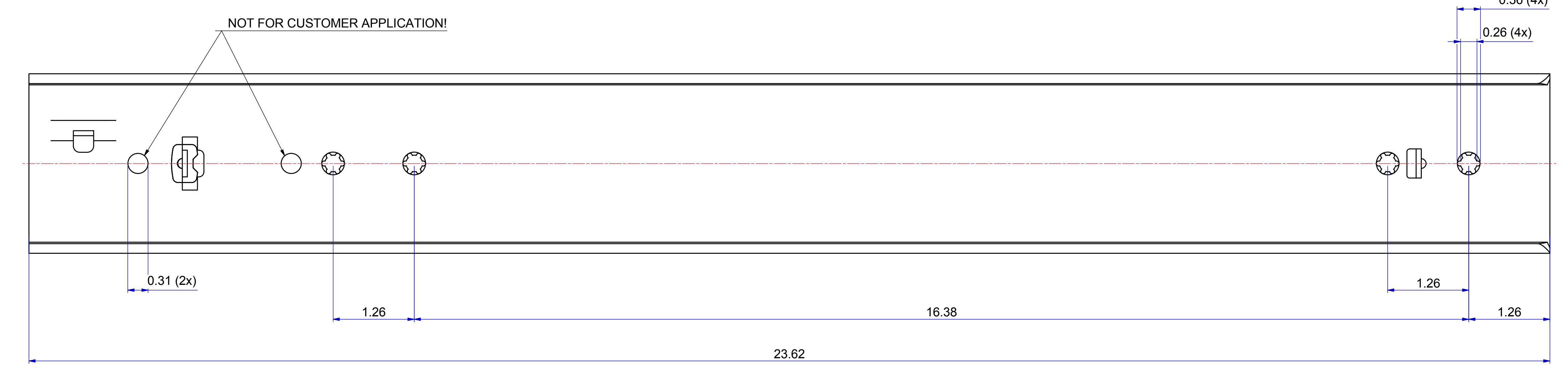


T 1-2 = 10,866 in
T 2-3 = 12,756 in



FRONT

511-01-S47-TA1



DIMENSIONS ARE CALCULATED FROM METRIC VALUES
THOMAS REGOUT B.V. RESERVES THE RIGHT TO ALTER NON-CUSTOMER SPECIFICATIONS WITHOUT NOTICE

Designer	Gen.Tol.Dim.	Third angle projection	Material	Generic
Date	26-10-2015	Gen.Tol.Angle	Treatment	
Approver	Gen.Roughness	Scale	Draw type	Fabrication
Date		Units	Inch/deg	Doc.No. E000094710
Description			Scale	1:1
TITAN 600 / 600 (18,5mm) [23.62"/23.62"(0.728")]			Type	Model No. E000036308
Format	A0	THOMAS REGOUT INTERNATIONAL B.V.	Item No.	101-S47_Inch
© THOMAS REGOUT INTERNATIONAL B.V., Industrieweg 40, 6219 NR, Maastricht, The Netherlands, +31 (0)43 353 66 66		Released for Production	Revision	00