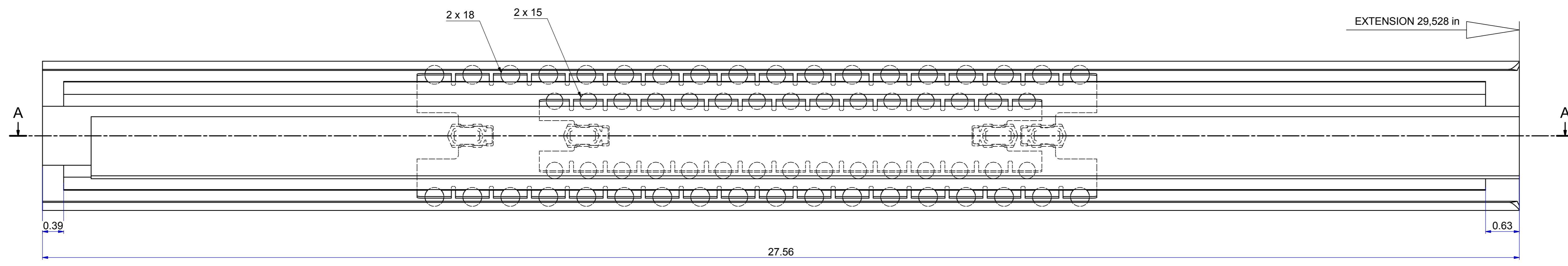
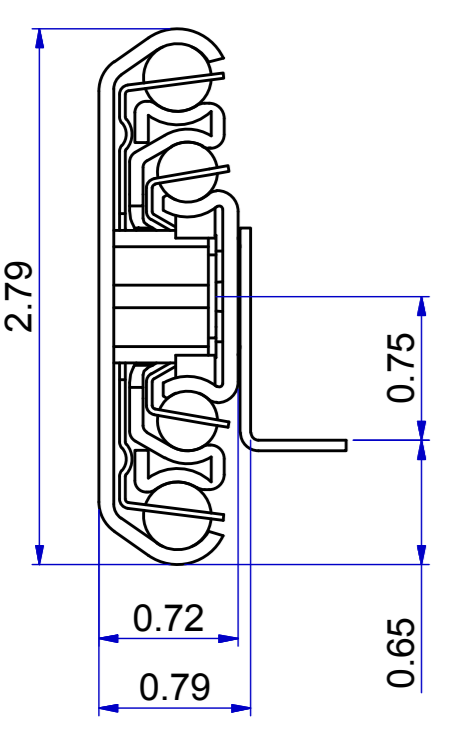
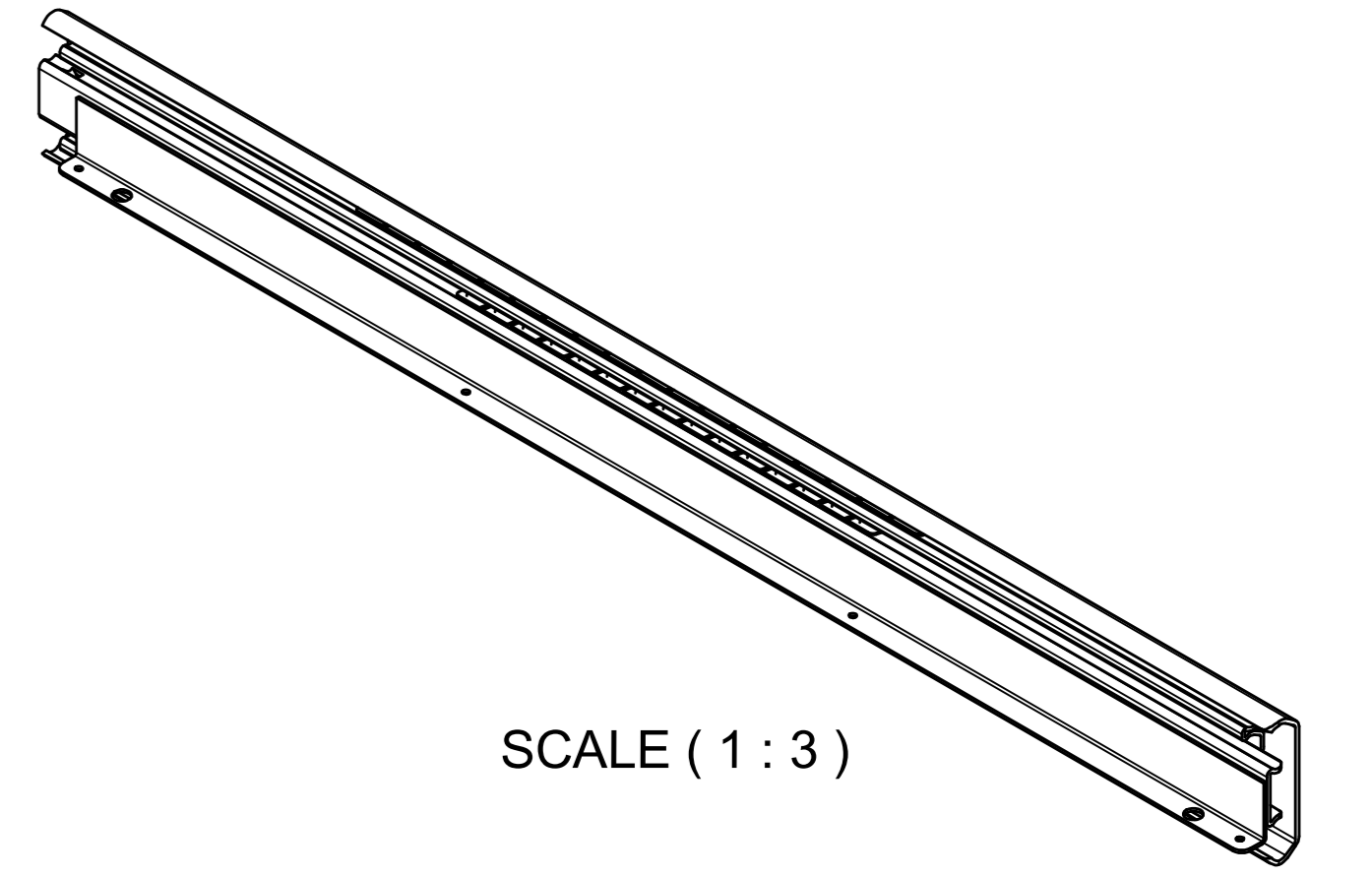
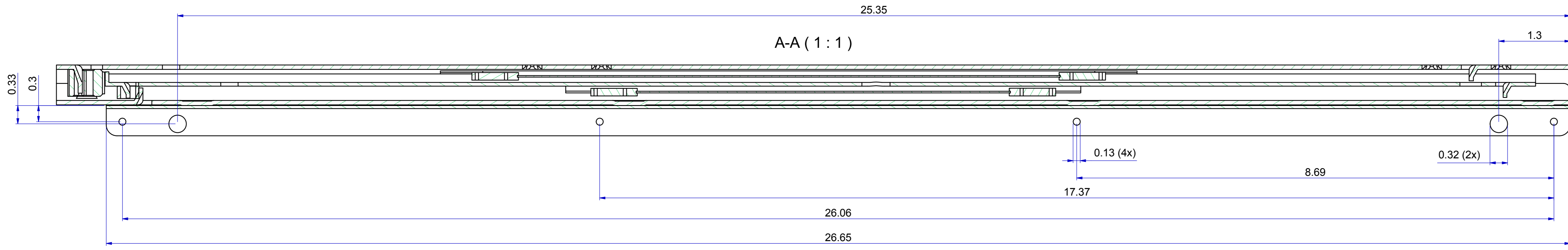
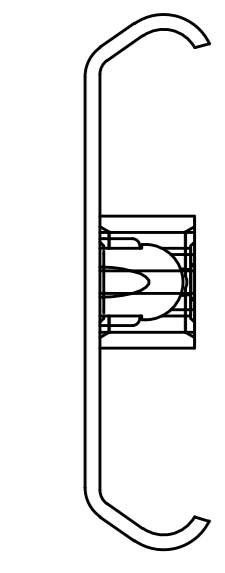


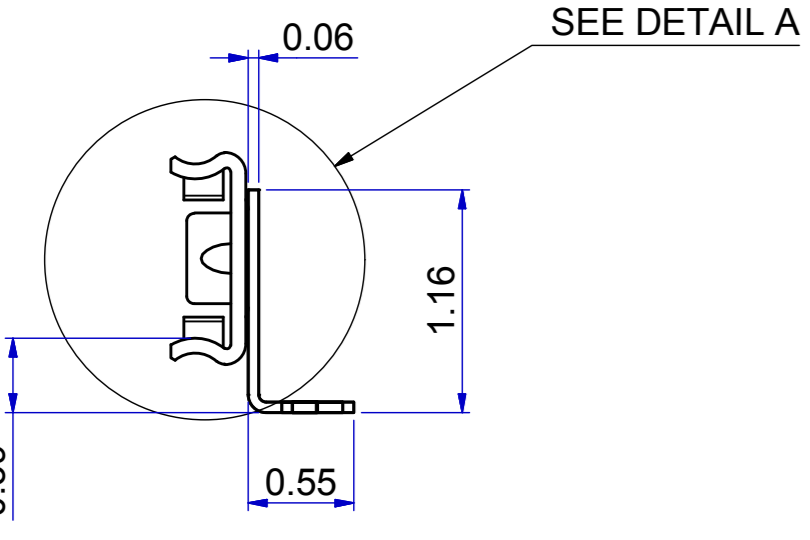
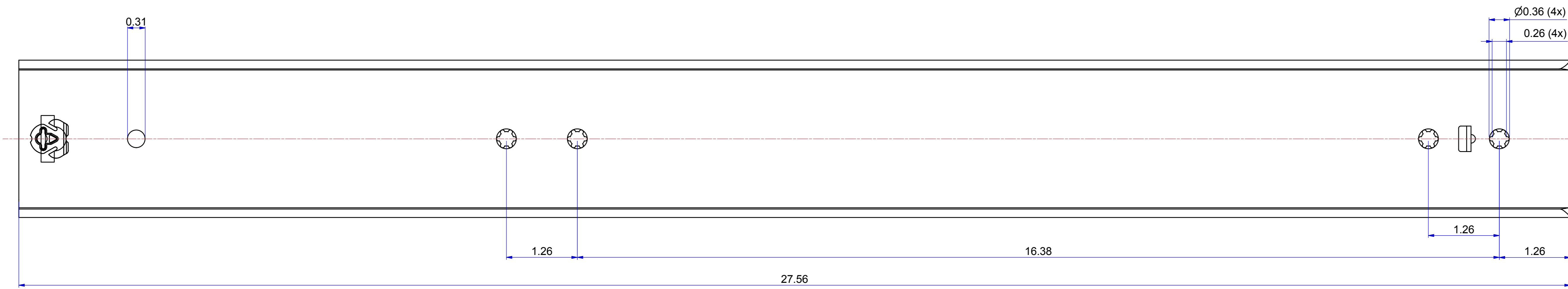
T 1-2 = 13,228 in
T 2-3 = 16,299 in



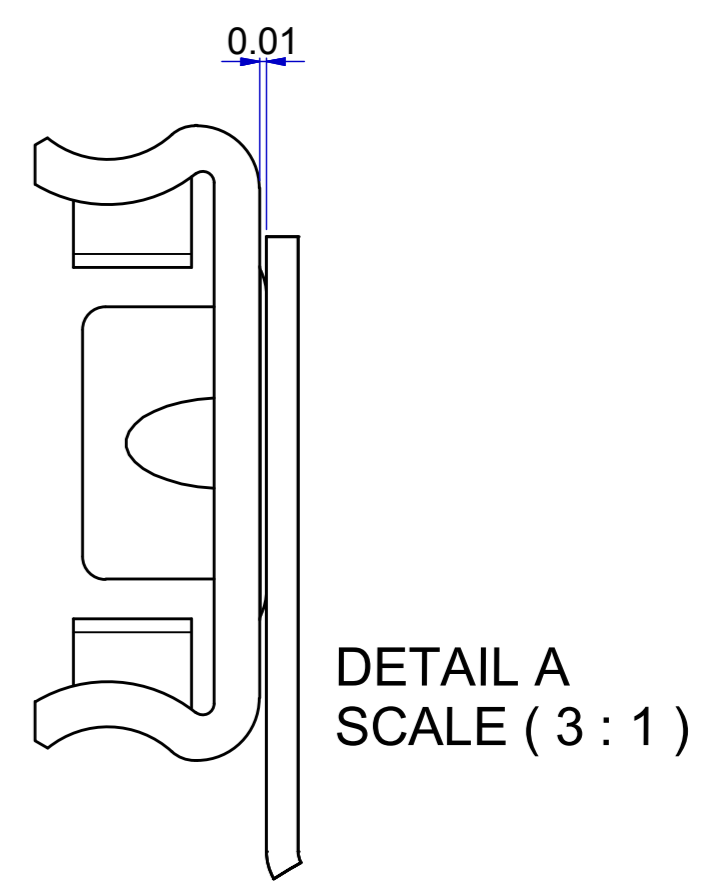
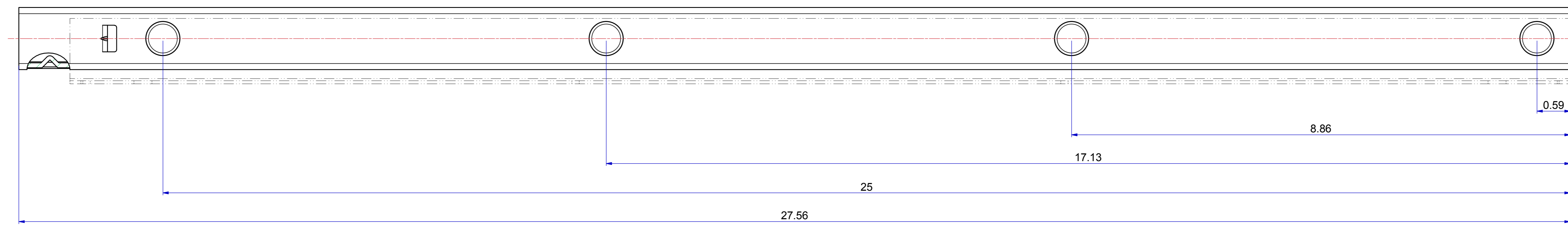
FRONT



511-01-S08-TA1



513-01-S08-TA3



Released for Production

DIMENSIONS ARE CALCULATED FROM METRIC VALUES
THOMAS REGOUT B.V. RESERVES THE RIGHT TO ALTER NON-CUSTOMER SPECIFICATIONS WITHOUT NOTICE

Designer: D.Kopper	Gen.Tol.Dim.	Third angle projection	Material: Generic
Date: 23-10-2015	Gen.Tol.Angle		Treatment
Approver:	Gen.Roughness	⊕	Draw type: Fabrication Doc.No: E000094357
Date:	Units: Inch/deg	Scale: 1:1	Type: Model No: E000036276
Description: TITAN 700 / 750 (18,4mm) [27.56"/29.53"(0.724")]			
Format: A0	THOMAS REGOUT INTERNATIONAL B.V.	Item No: 101-S08_Inch	Revision: 00

© THOMAS REGOUT INTERNATIONAL B.V., Industrieweg 40, 6219 NR, Maastricht, The Netherlands, +31 (0)43 351 66 66 All rights are reserved.