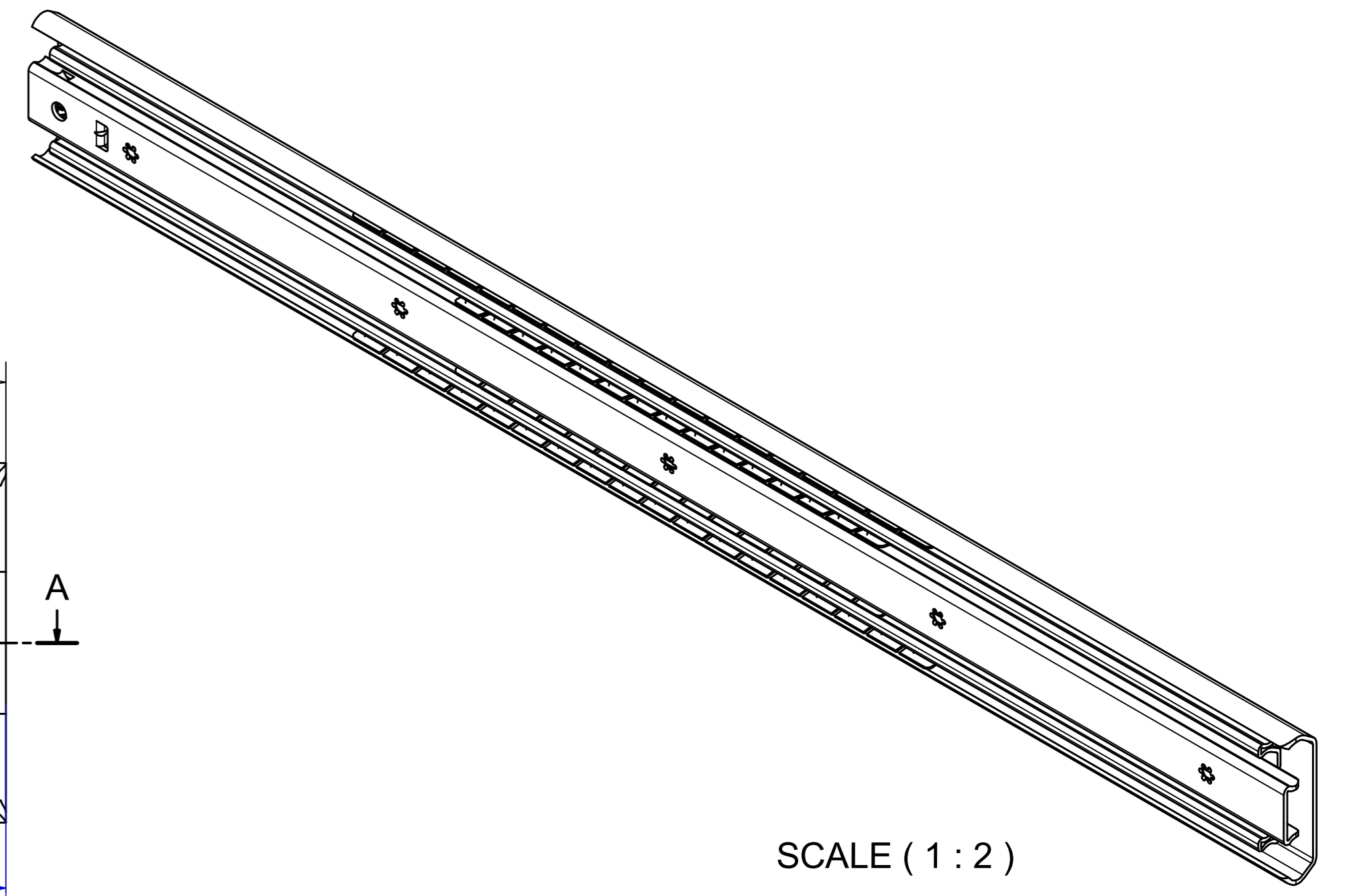
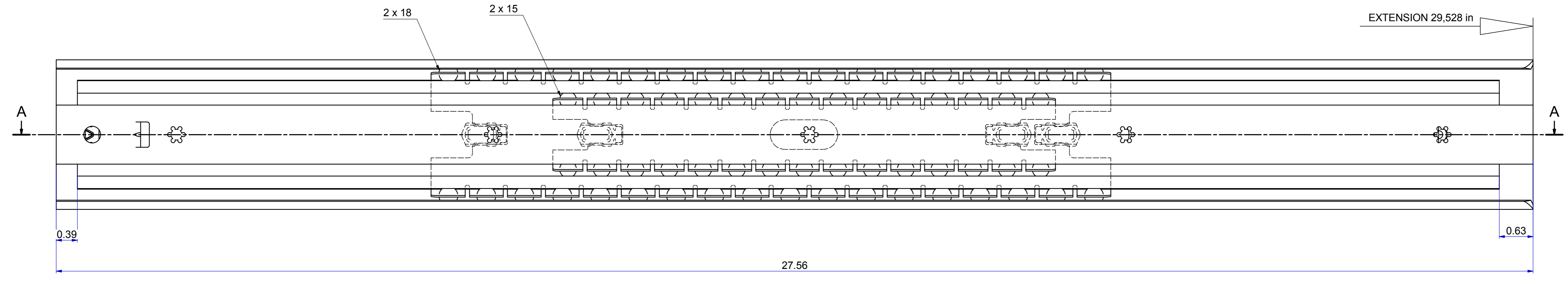
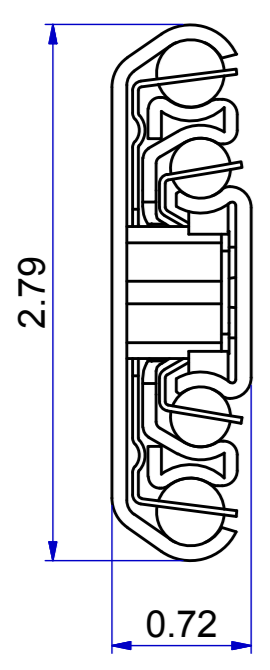
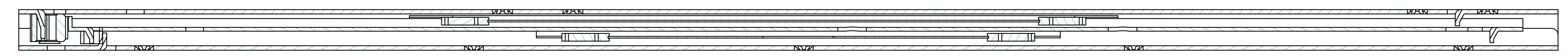


T 1-2 = 13,228 in  
T 2-3 = 16,299 in

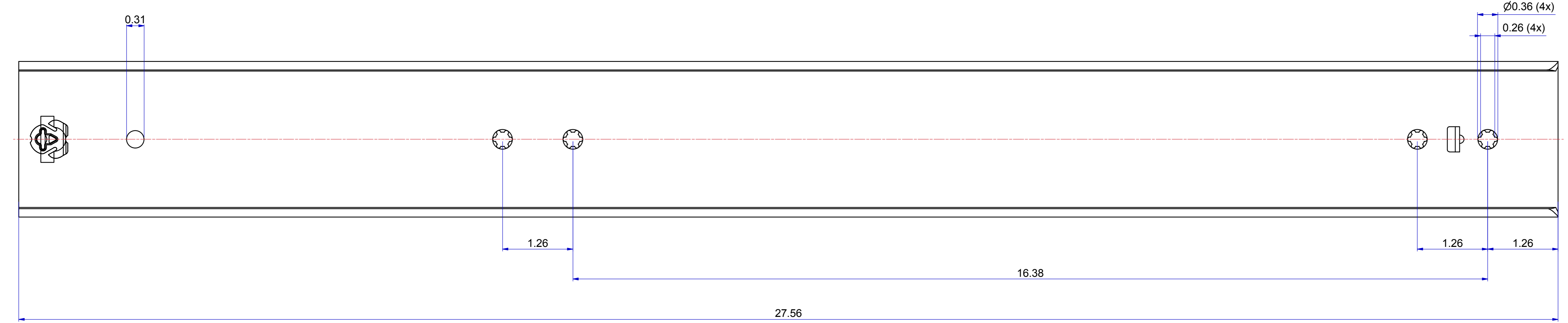
A-A (1:1)



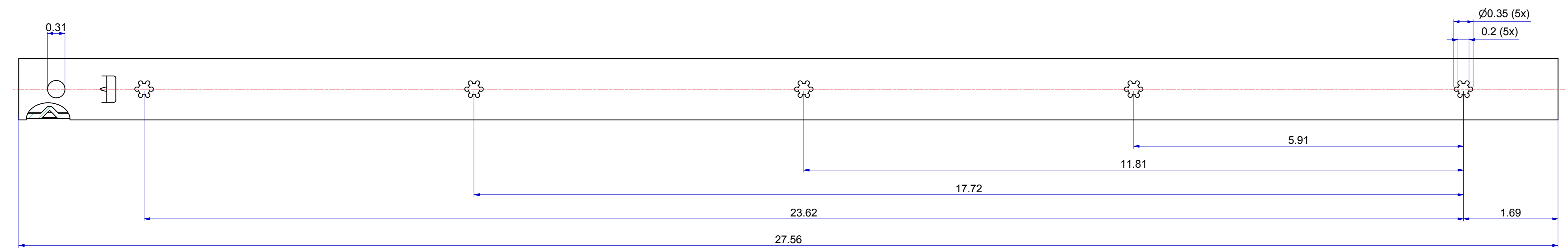
SCALE (1:2)

FRONT

511-01-S28-TA1



513-01-S28-TA3



Released for Production

DIMENSIONS ARE CALCULATED FROM METRIC VALUES  
THOMAS REGOUT B.V. RESERVES THE RIGHT TO ALTER NON-CUSTOMER SPECIFICATIONS WITHOUT NOTICE

Designer	Gen.Tol.Dim.	Third angle projection	Material	Generic
Date	26-10-2015	Gen.Tol.Angle	Treatment	
Approver	Gen.Roughness	Symbol	Draw type	Fabrication
Date		Units	Inch/deg	Scale 1:1
Description		Type	Model No.	E000036290

TITAN 700 / 750 (18,4mm) [27.56"/29.53"(0.724")]

Format	A0	THOMAS REGOUT INTERNATIONAL B.V.	Item No.	101-S28_Inch	Revision	00
--------	----	----------------------------------	----------	--------------	----------	----

© THOMAS REGOUT INTERNATIONAL B.V., Industrieweg 40, 6219 NR, Maastricht, The Netherlands, +31 (0)43 351 66 66 All rights are reserved.