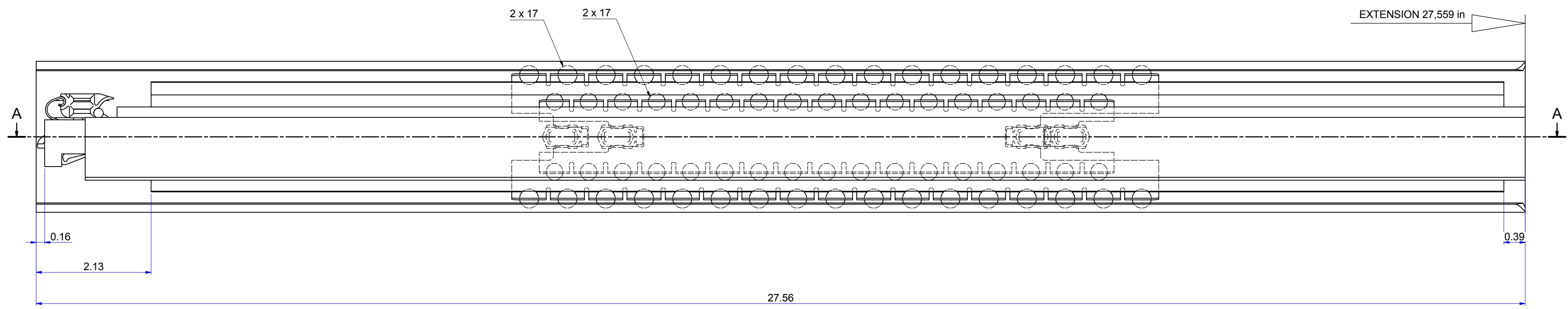
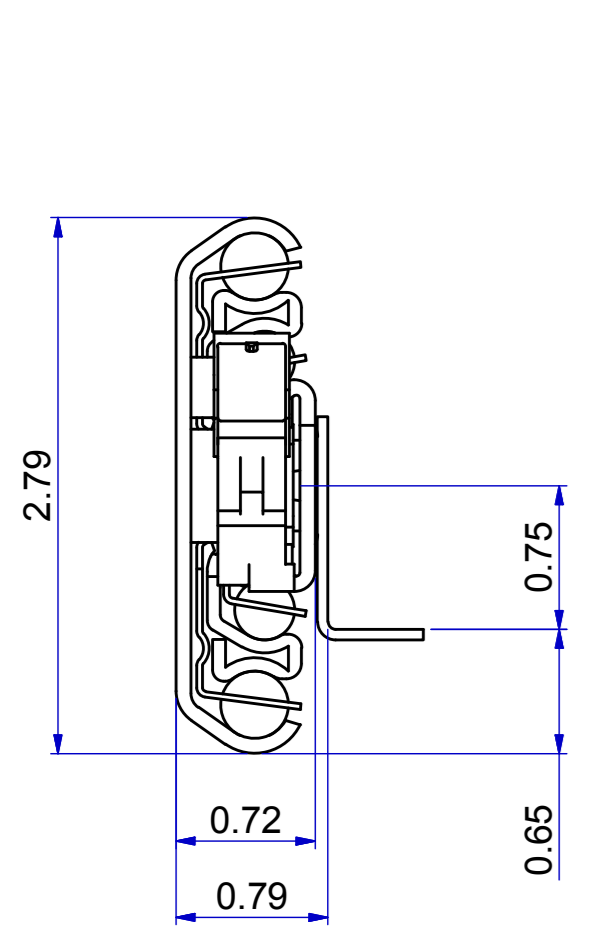
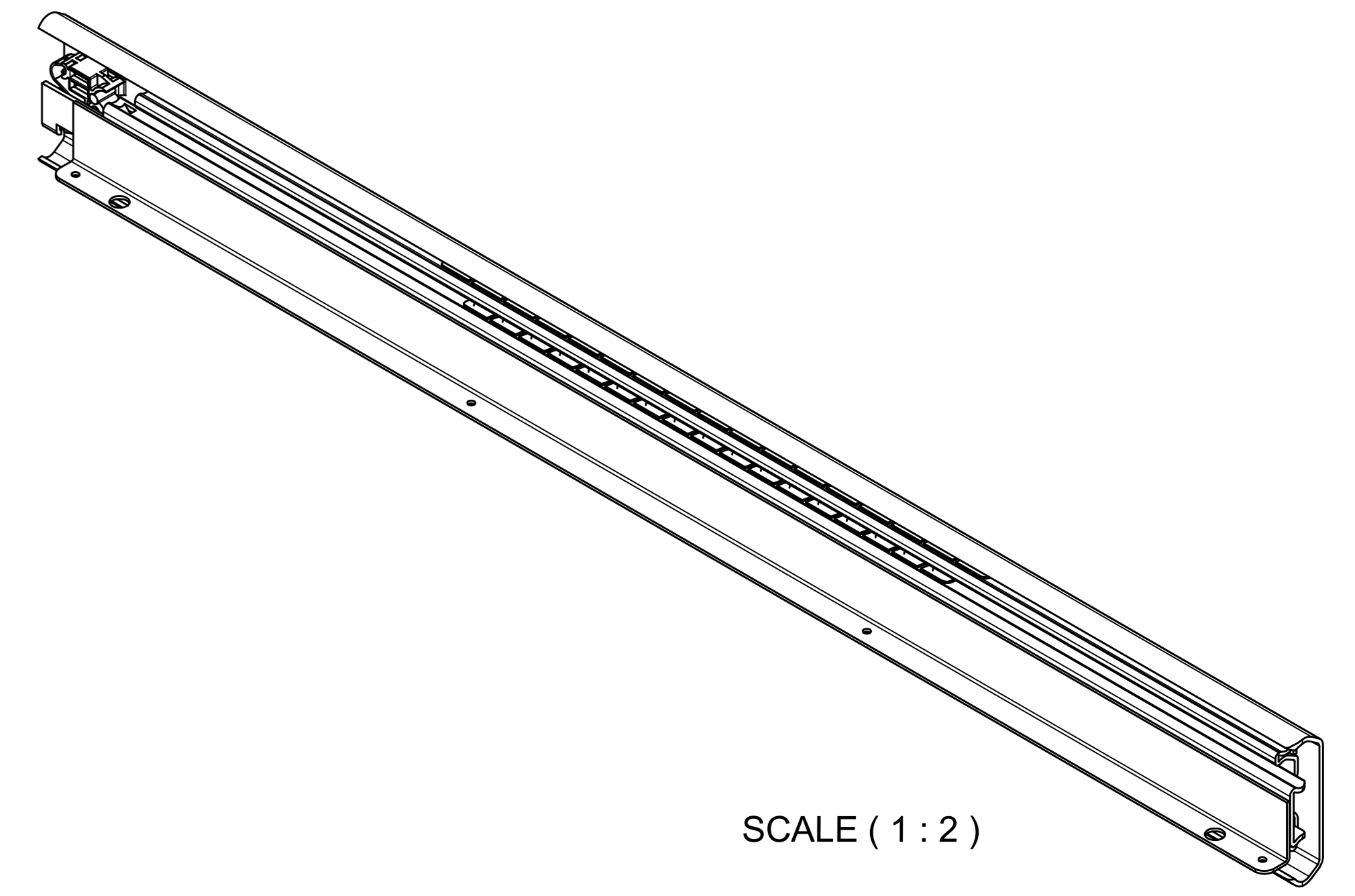
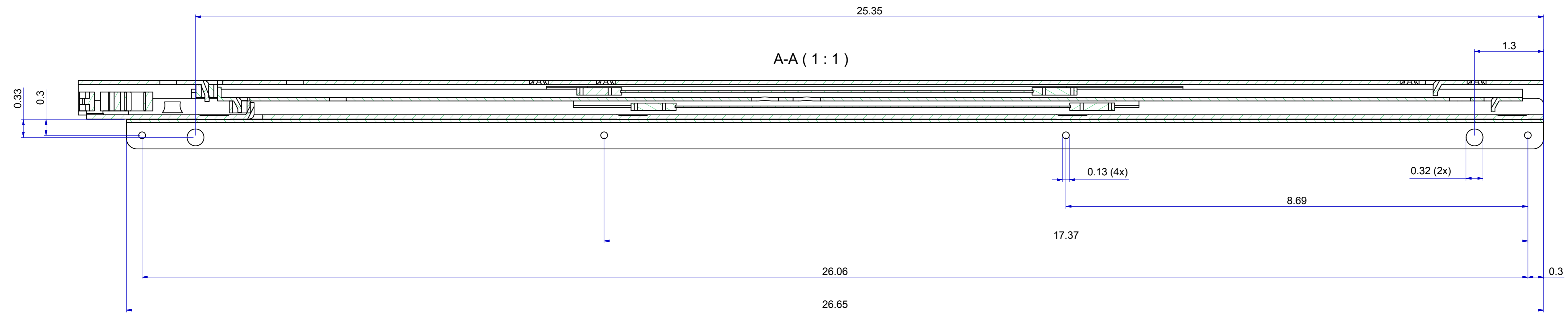
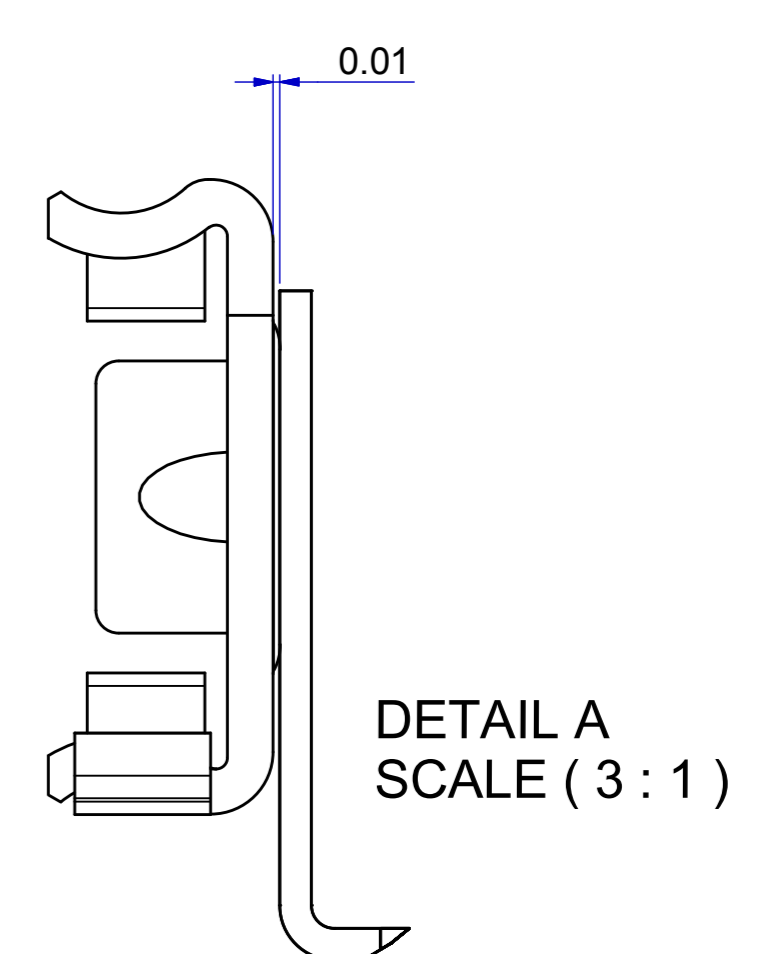
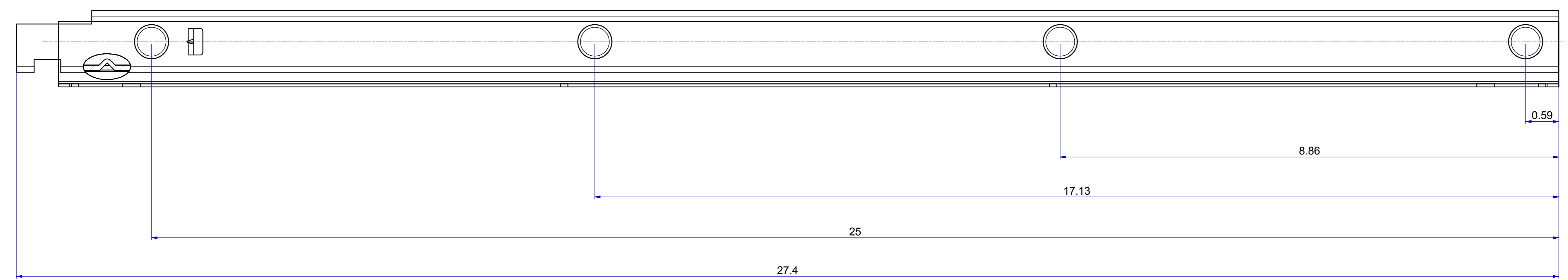
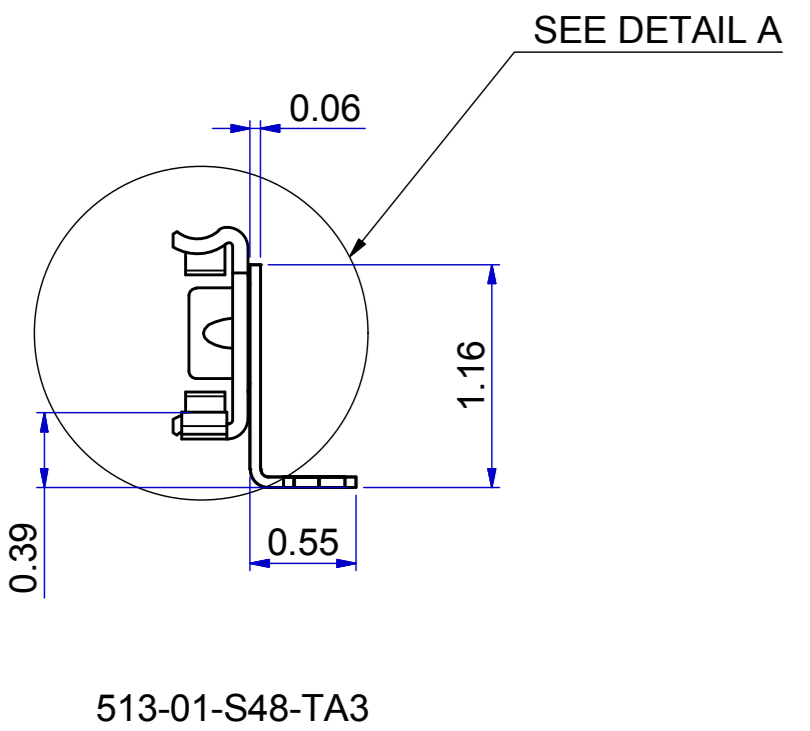
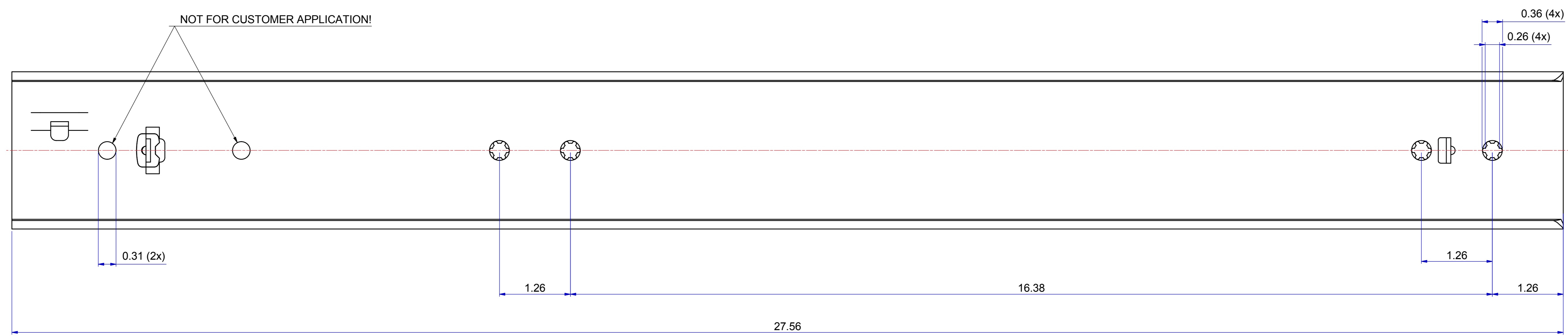


T 1-2 = 13,386 in
T 2-3 = 14,173 in



FRONT

511-01-S48-TA1



DIMENSIONS ARE CALCULATED FROM METRIC VALUES
THOMAS REGOUT B.V. RESERVES THE RIGHT TO ALTER NON-CUSTOMER SPECIFICATIONS WITHOUT NOTICE

Designer: D.Kopper	Gen.Tol.Dim.	Third angle projection	Material: Generic
Date: 26-10-2015	Gen.Tol.Angle	Treatment	
Approver:	Gen.Roughness	Draw type: Fabrication	Doc.No: E000094724
Date:	Units: Inch/deg	Scale: 1:1	Type: Model No: E000036310
Description: TITAN 700 / 700 (18,4mm) [27.56"/27.56"(0.724")]			
Format: A0	THOMAS REGOUT INTERNATIONAL	Item No: 101-S48_Inch	Revision: 00

© THOMAS REGOUT INTERNATIONAL B.V., Industrieweg 40, 6219 NR, Maastricht, The Netherlands, +31 (0)43 351 66 66 All rights are reserved.