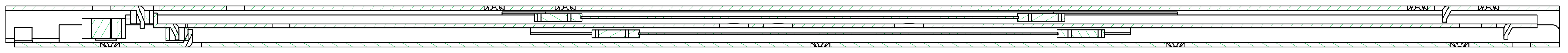
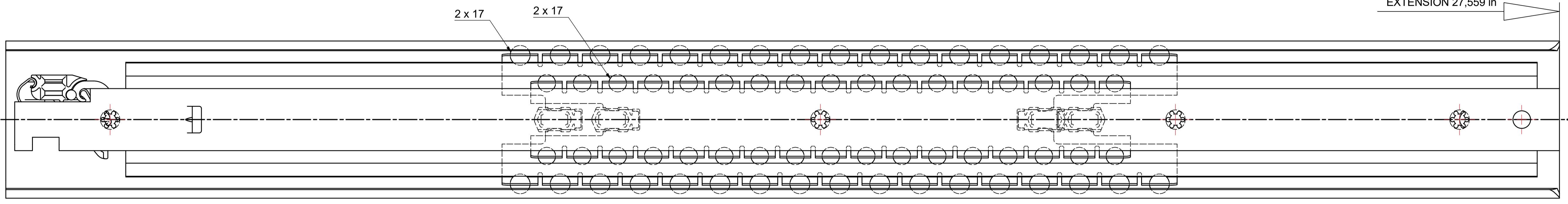
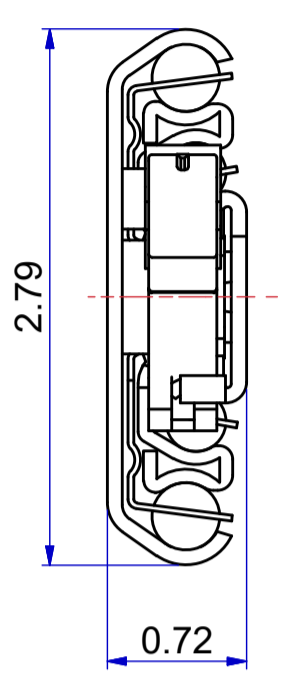


A-A (1:1)

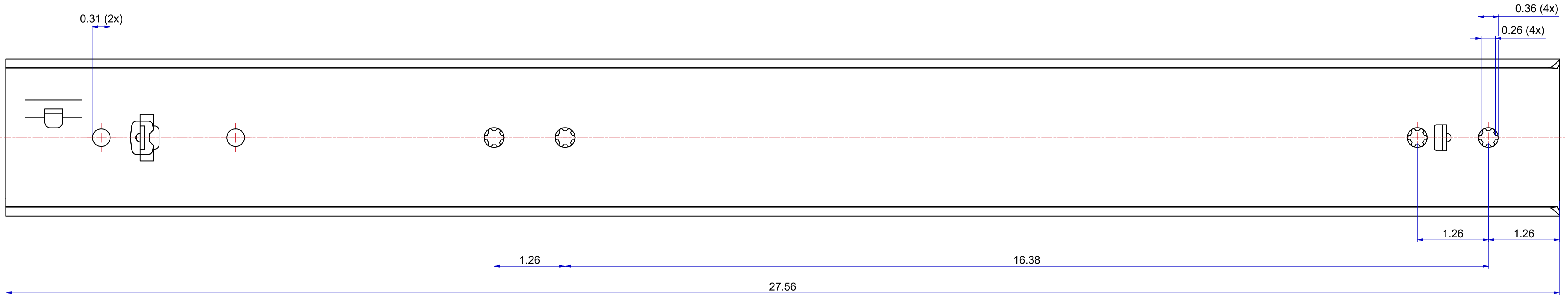
T 1-2 = 13,386 in
T 2-3 = 14,173 in



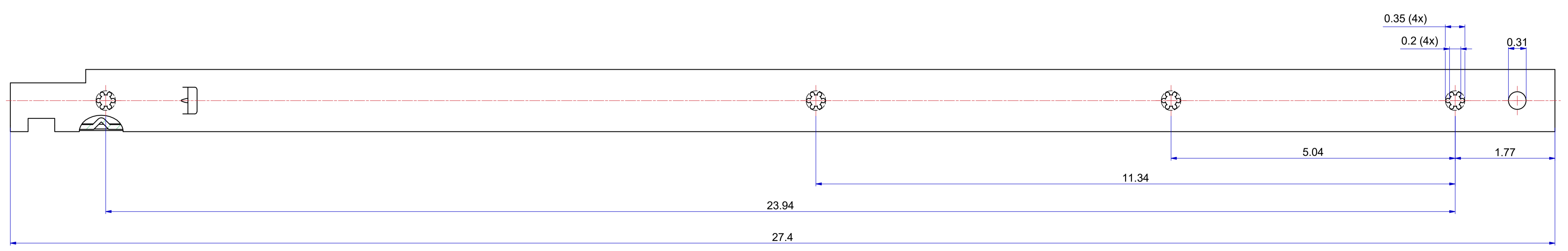
EXTENSION 27,559 in



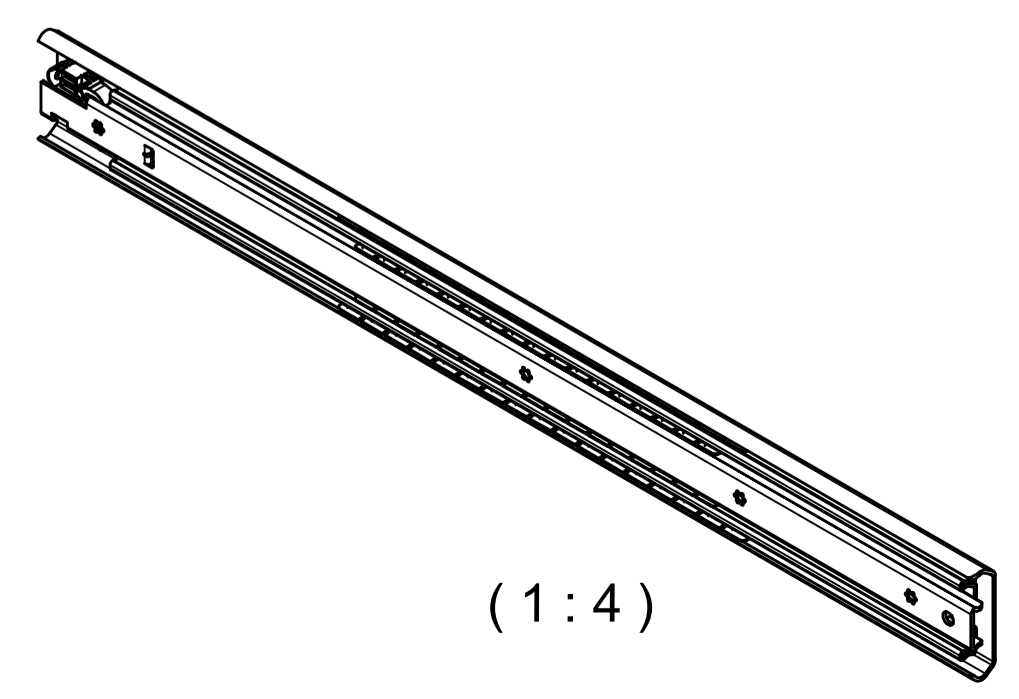
FRONT



511-01-S68-TA1



513-01-S68-TA3



(1:4)

DIMENSIONS ARE CALCULATED FROM METRIC VALUES
THOMAS REGOUT B.V. RESERVES THE RIGHT TO ALTER NON-CUSTOMER SPECIFICATIONS WITHOUT NOTICE

Designer	Gen.Tol.Dim.	Third angle projection	Material	Generic
Date	26-10-2015	Gen.Tol.Angle	Treatment	
Approver	Gen.Roughness		Draw type	Fabrication
Date	Units		Inch/deg	Scale
			Type	Model No. E000036325

Description
TITAN 700 / 700 (18,4mm) [27.56"/27.56"(0.724")]

Format	A1	THOMAS REGOUT INTERNATIONAL B.V.	Item No.	101-S68_Inch	Revision	00
--------	----	----------------------------------	----------	--------------	----------	----