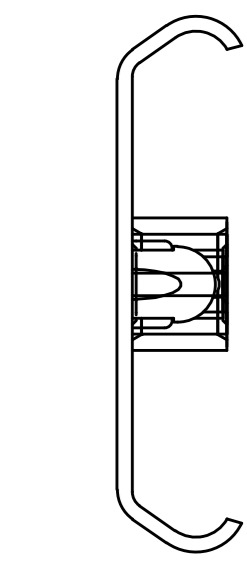
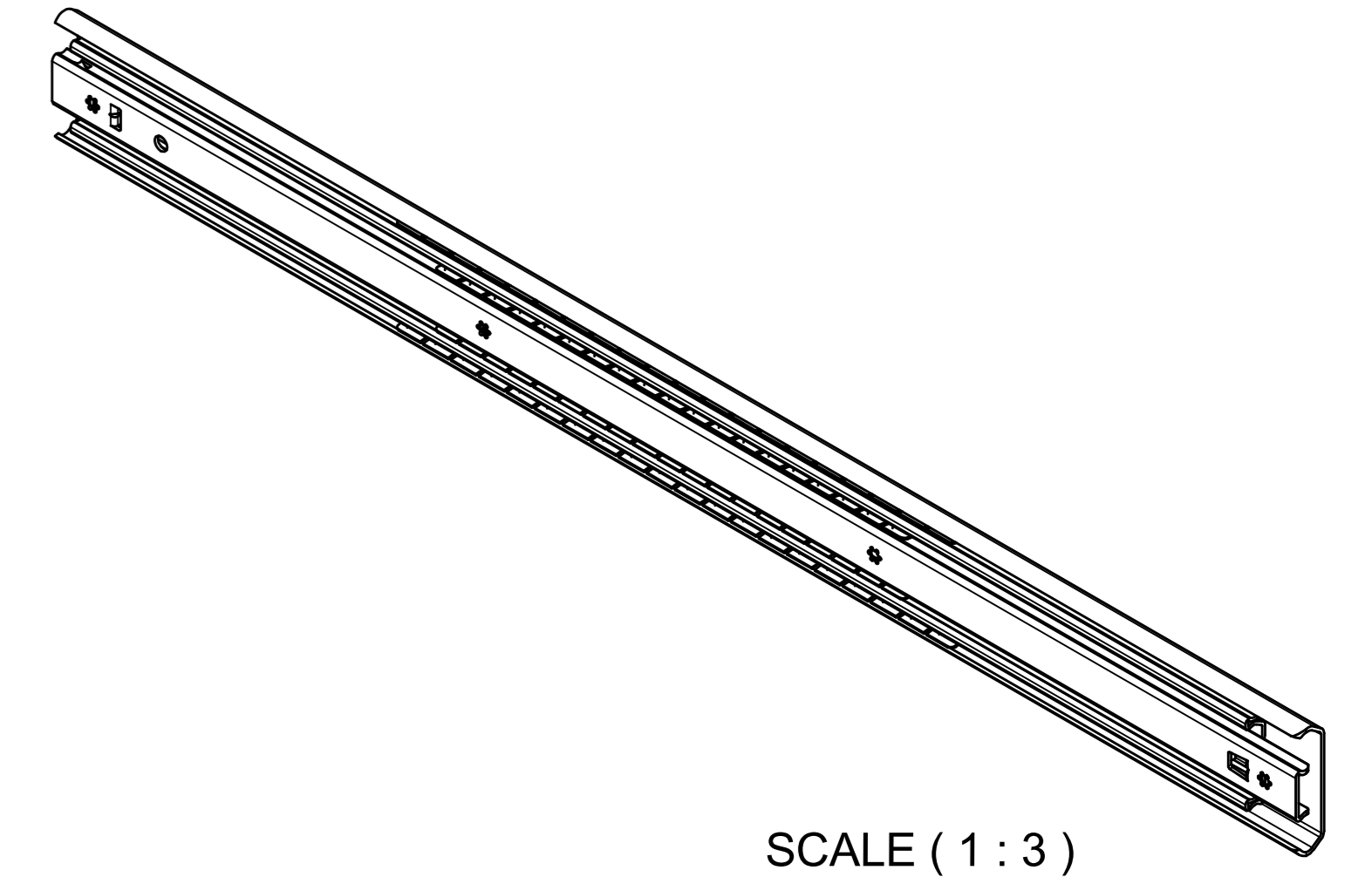
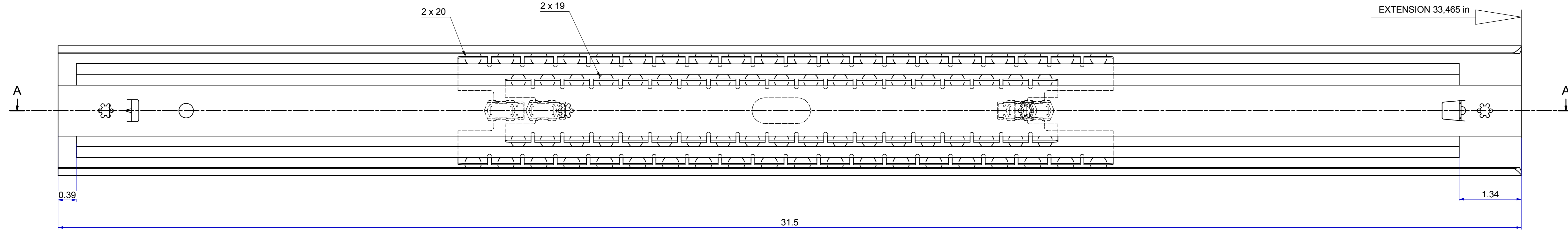
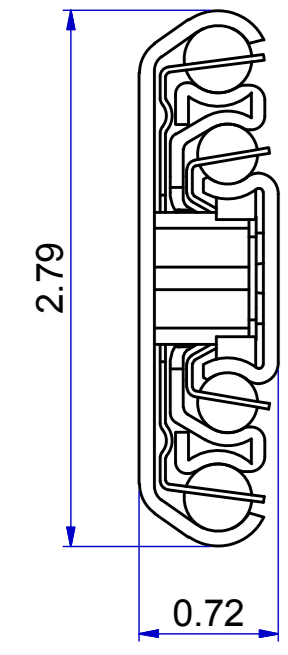
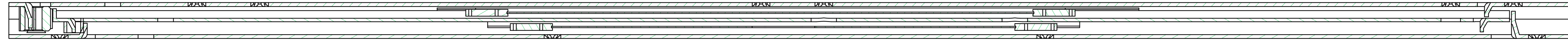
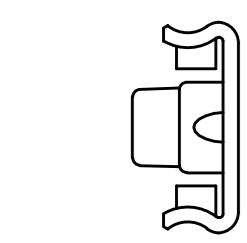
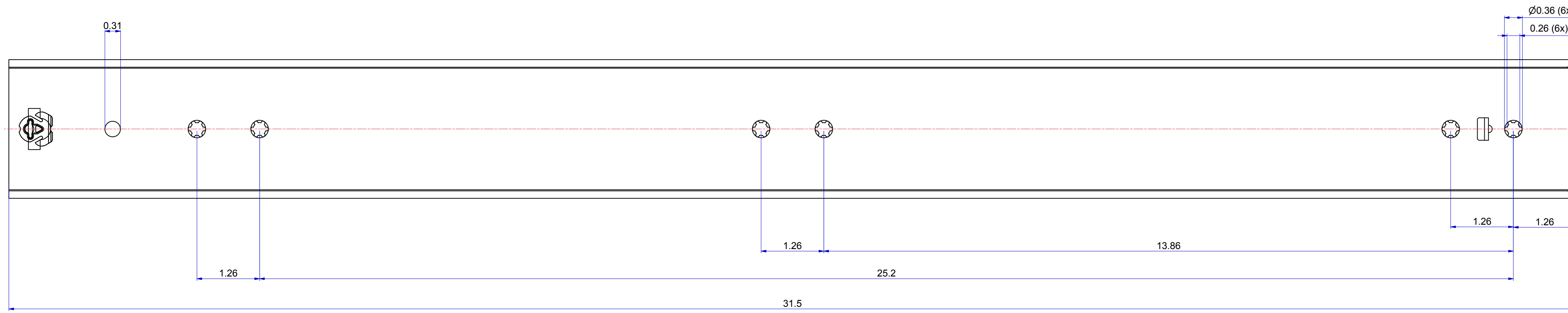


T 1-2 = 16,457 in  
T 2-3 = 17,008 in

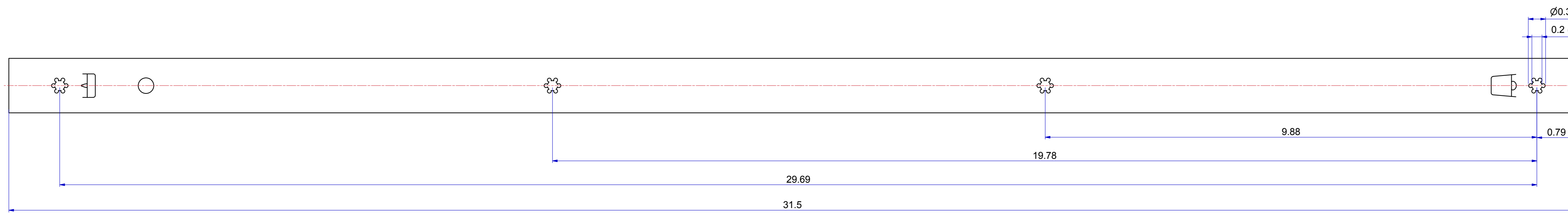
A-A (1:1)



511-01-S29-TA1



513-01-S29-TA3



Released for Production

DIMENSIONS ARE CALCULATED FROM METRIC VALUES  
THOMAS REGOUT B.V. RESERVES THE RIGHT TO ALTER NON-CUSTOMER  
SPECIFICATIONS WITHOUT NOTICE

Designer	Gen.Tol.Dim.	Third angle projection	Material	Generic
Date	26-10-2015	Gen.Tol.Angle	Treatment	
Approver	Gen.Roughness	Scale	Draw type	Fabrication
Date		Units	Inch/deg	Type
Description		Doc.No.	E000094416	
TITAN 800 / 850 (18,4mm) [31.50"/33.46"(0.724")]		Model No.	E000036292	

Format	A0	THOMAS REGOUT INTERNATIONAL B.V.	Item No.	101-S29_Inch	Revision	00
© THOMAS REGOUT INTERNATIONAL B.V., Industrieweg 40, 6219 NR, Maastricht, The Netherlands, +31 (0)43 353 66 66 All rights are reserved.						