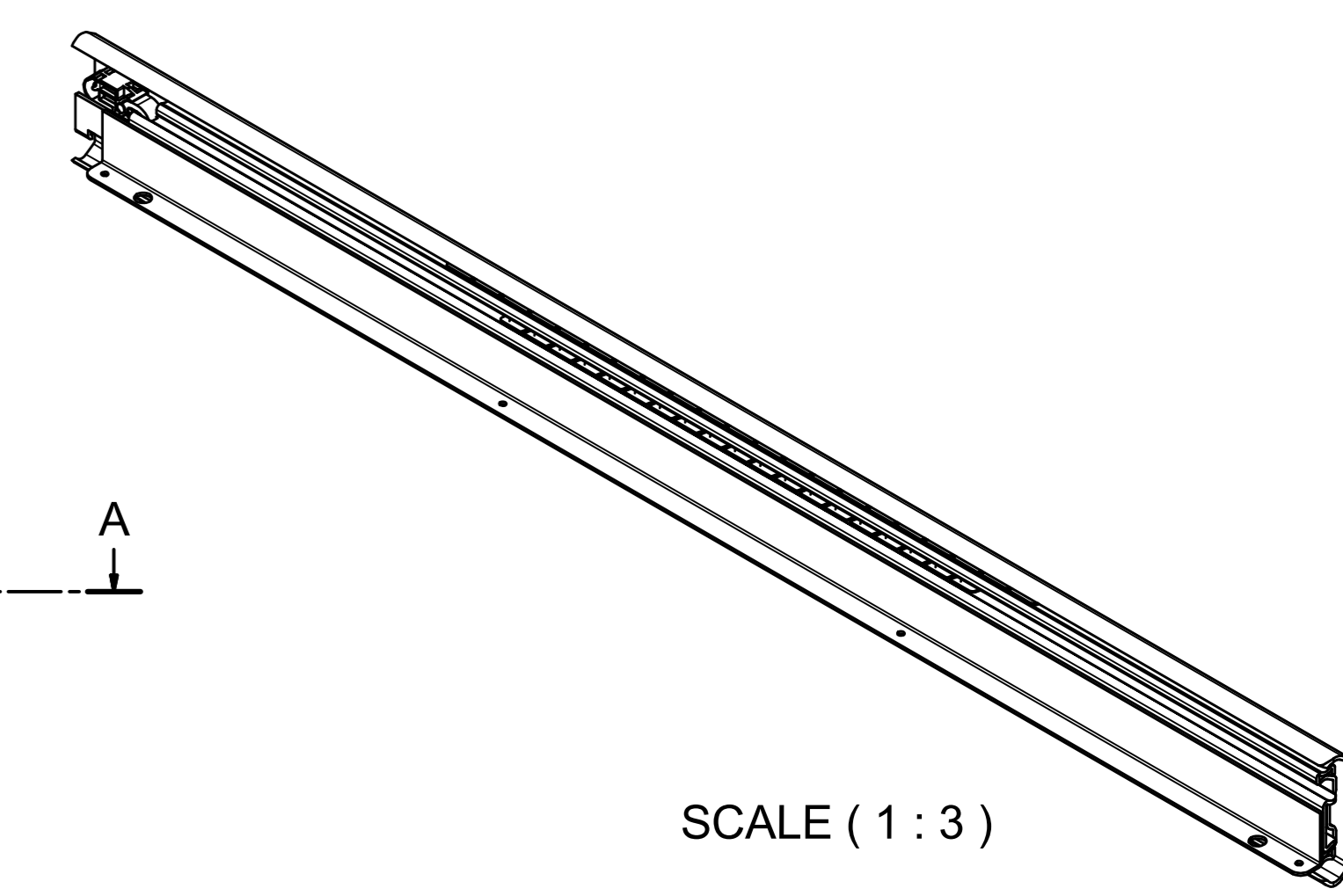
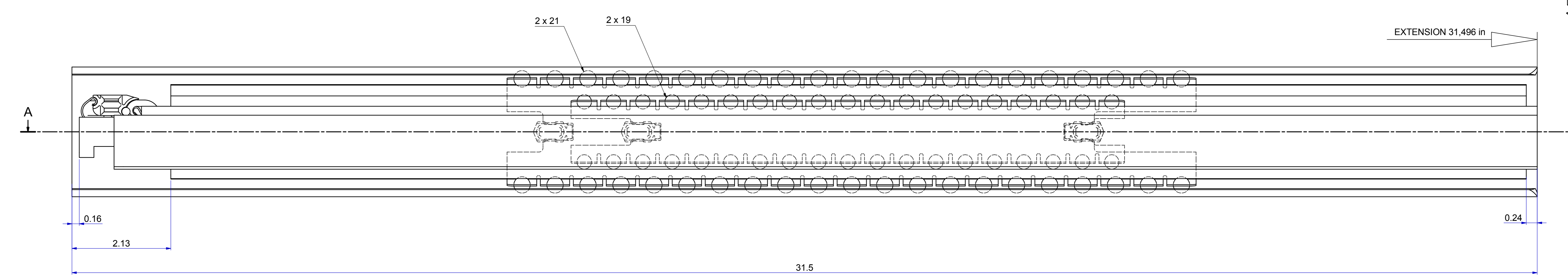
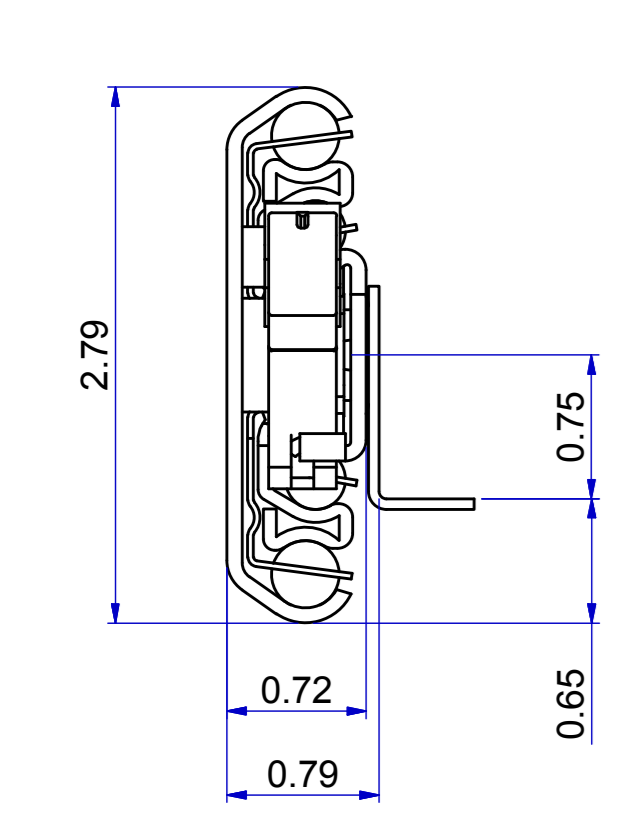
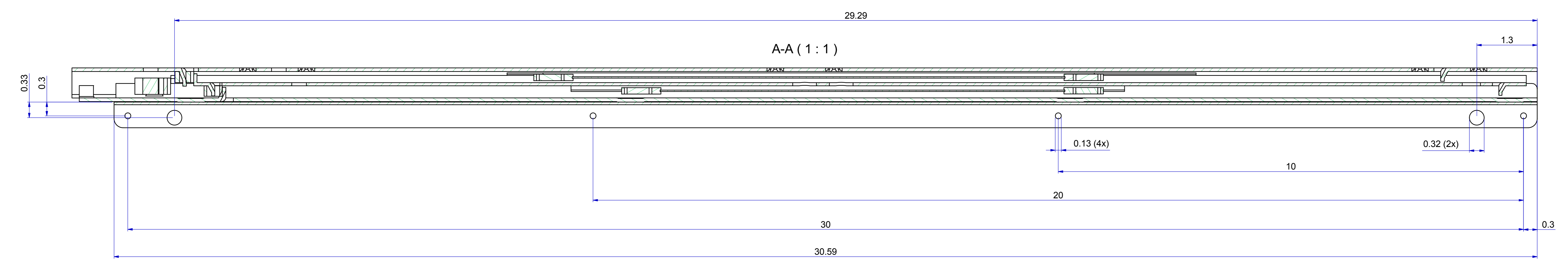
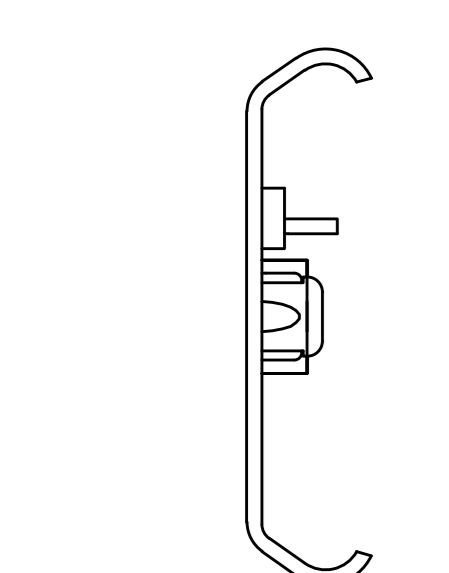


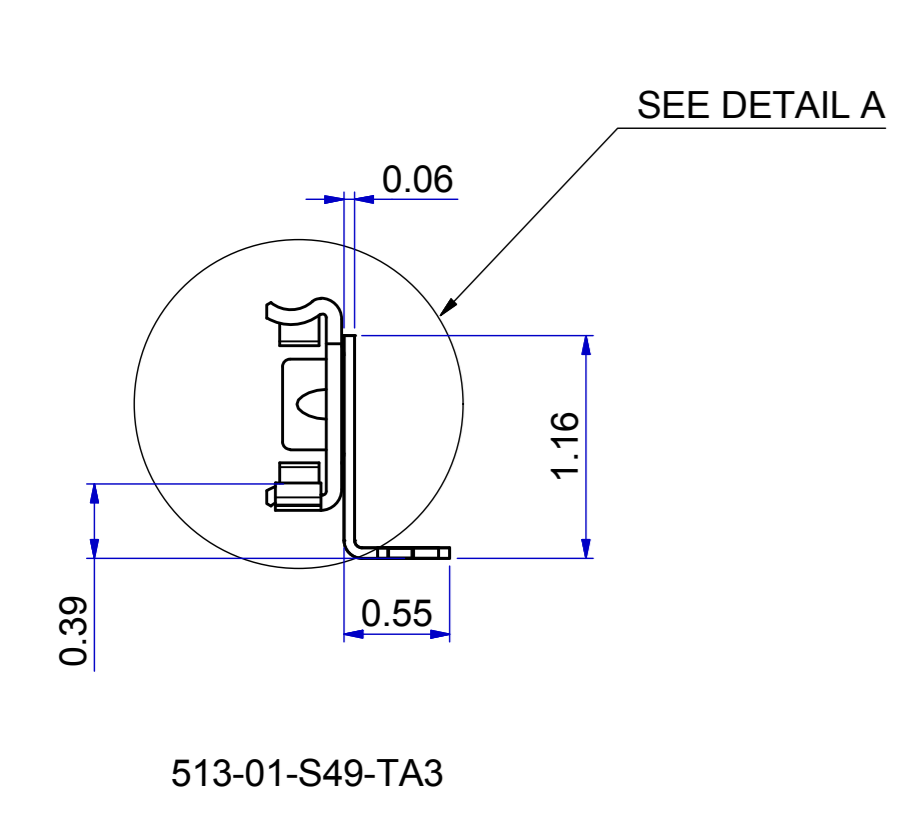
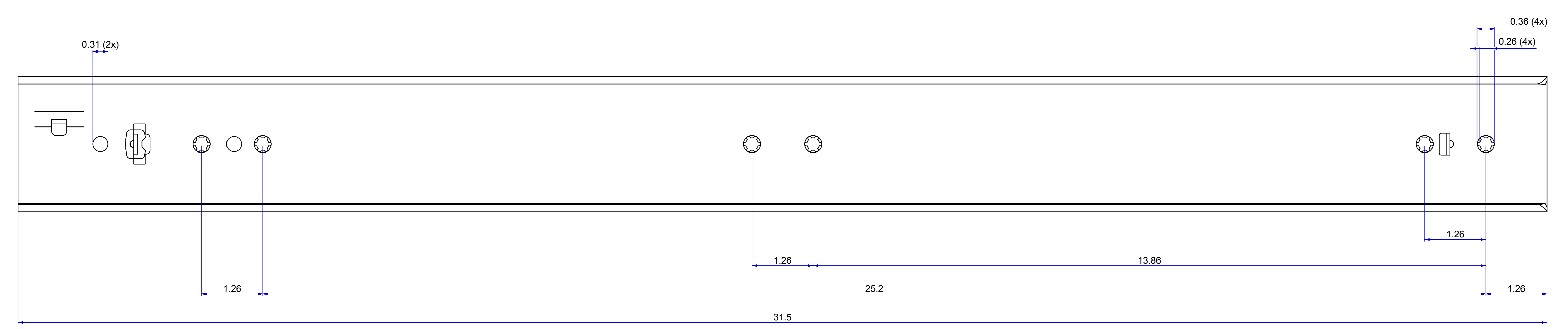
T 1-2 = 14,488 in
T 2-3 = 17,008 in



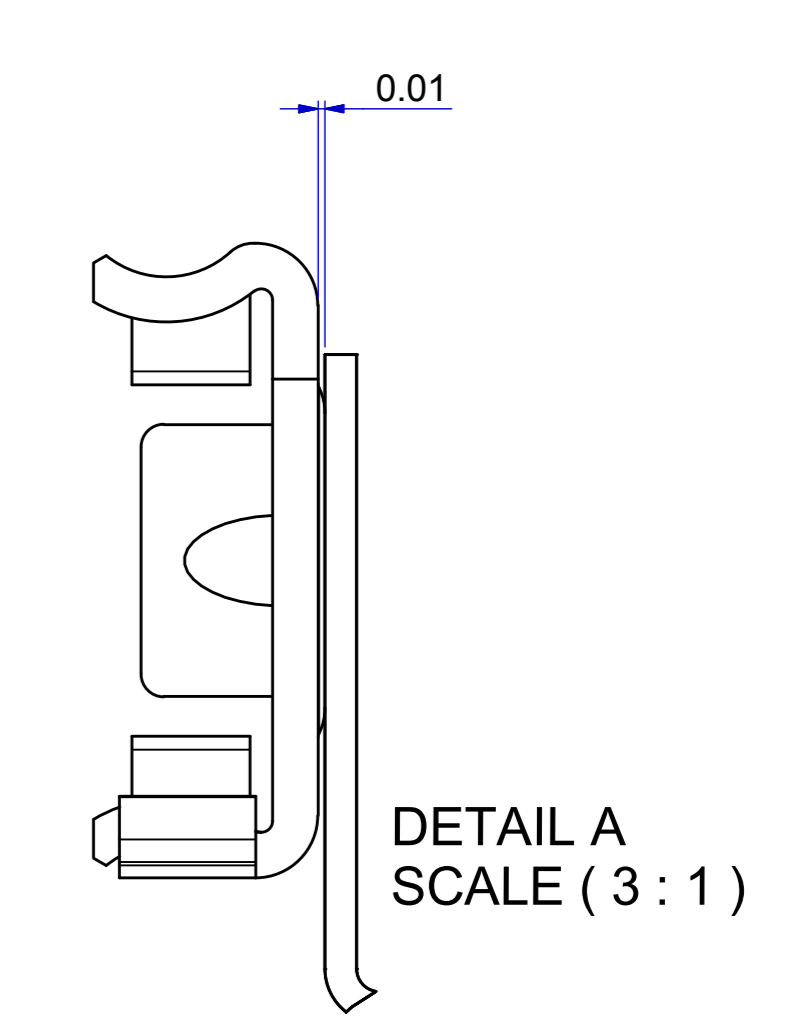
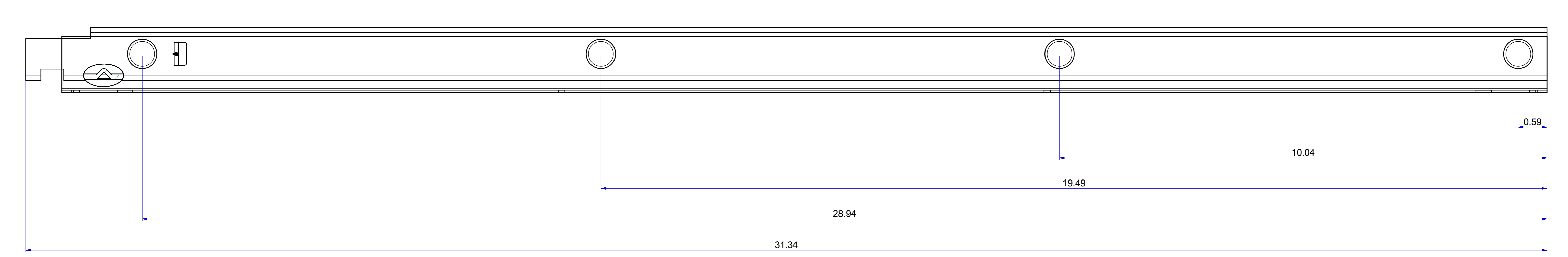
FRONT



511-01-S49-TA1



513-01-S49-TA3



DIMENSIONS ARE CALCULATED FROM METRIC VALUES
THOMAS REGOUT B.V. RESERVES THE RIGHT TO ALTER NON-CUSTOMER SPECIFICATIONS WITHOUT NOTICE

Designer: D.Kopper	Gen.Tol.Dim.	Third angle projection	Material: Generic
Date: 26-10-2015	Gen.Tol.Angle		Treatment
Approver:	Gen.Roughness	⊕	Draw type: Fabrication Doc.No: E000094725
Date:	Units: Inch/deg	Scale: 1 : 1	Type: Model No: E000036312
Description: TITAN 800 / 800 (18,4mm) [31.50"/31.50"(0.724")]			
Format: A0	THOMAS REGOUT INTERNATIONAL B.V.	Item No: 101-S49_Inch	Released for Production: 00
© THOMAS REGOUT INTERNATIONAL B.V., Industrieweg 40, 6219 NR, Maastricht, The Netherlands, +31 (0)43 353 66 66 All rights are reserved.			