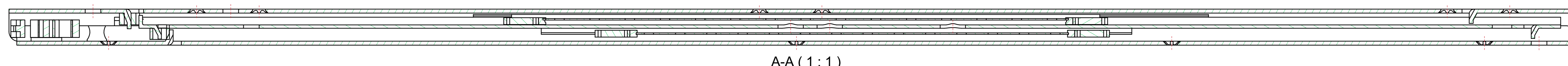
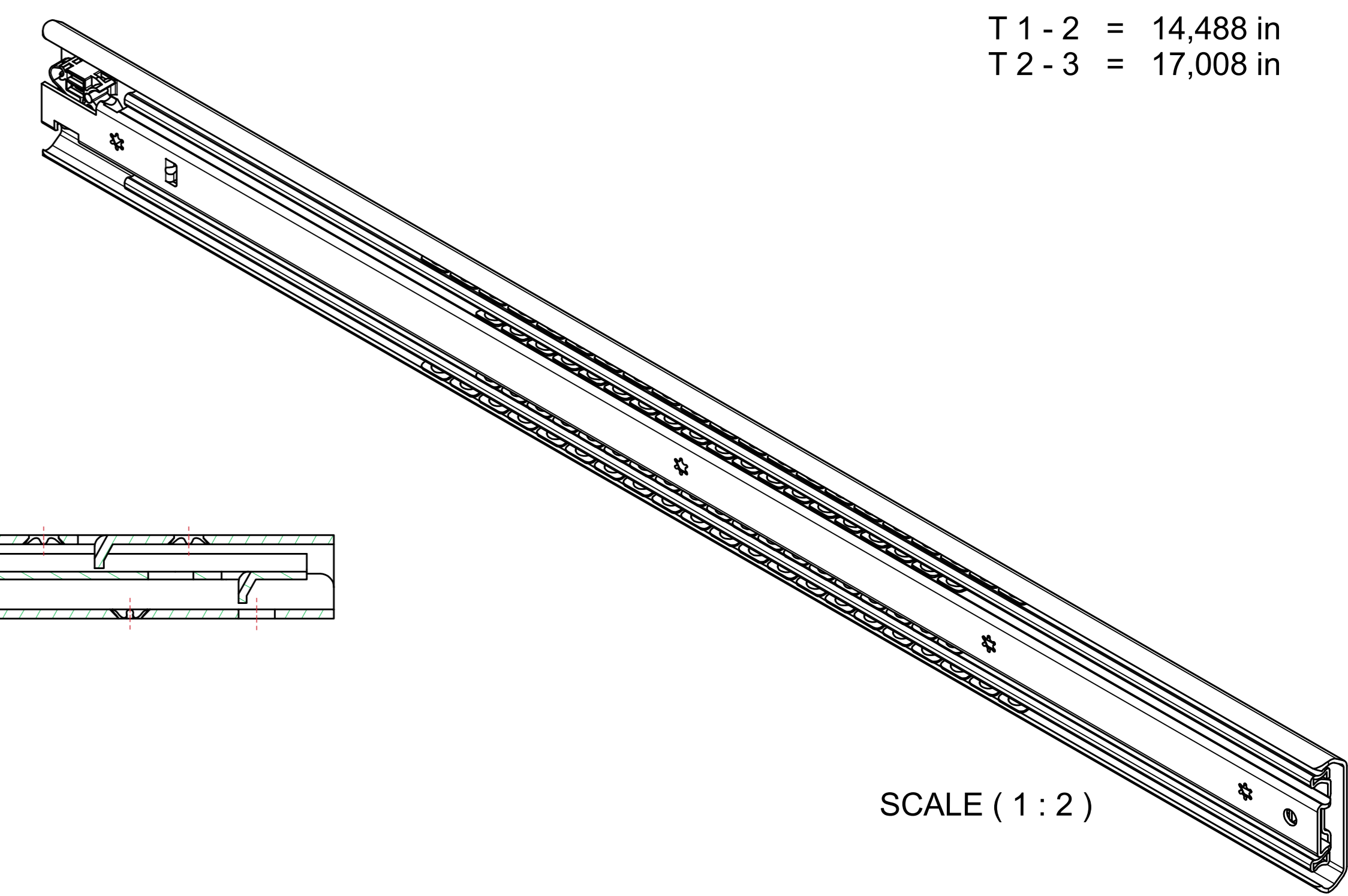


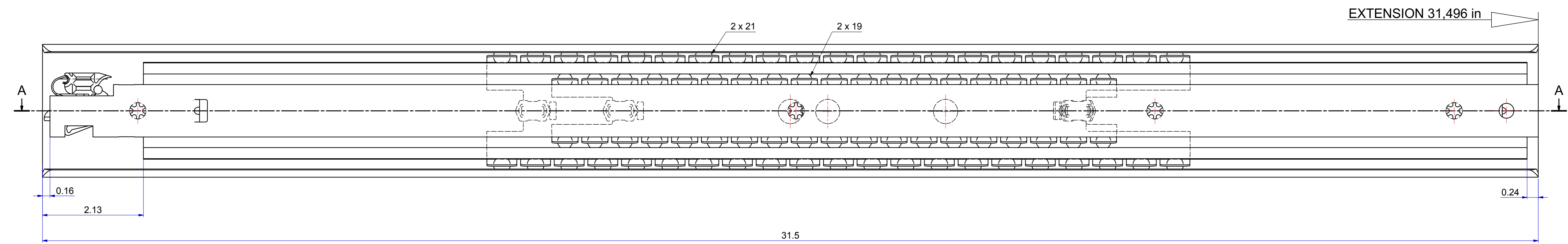
T 1 - 2 = 14,488 in
T 2 - 3 = 17,008 in



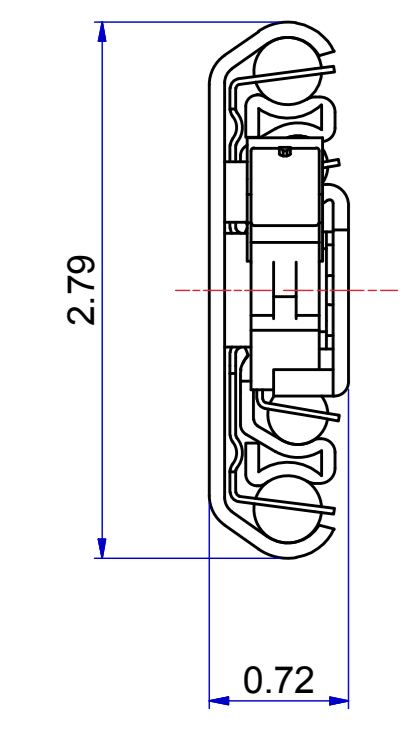
A-A (1:1)



SCALE (1:2)



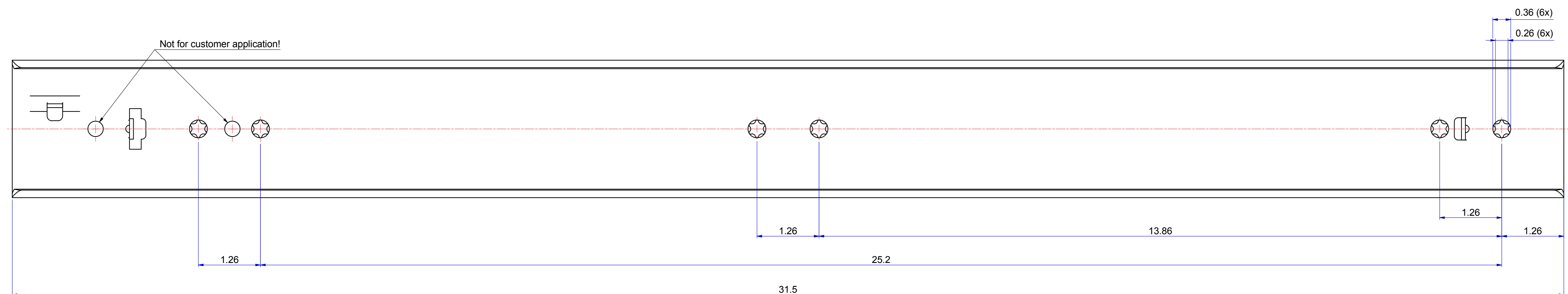
EXTENSION 31,496 in



2.79

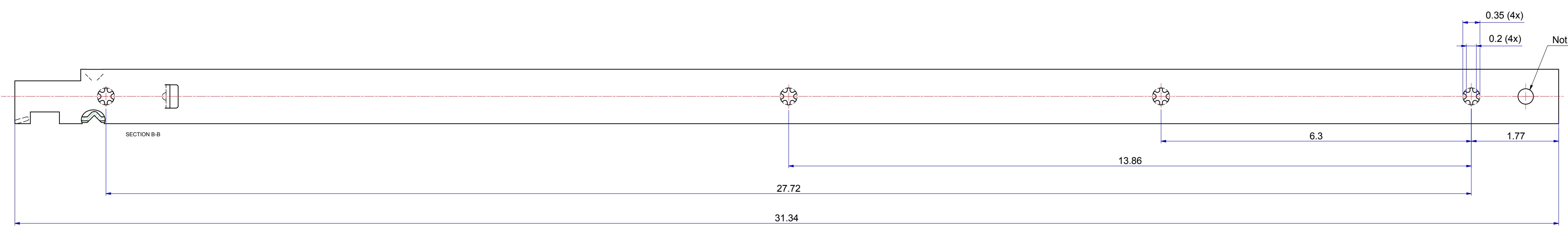
0.72

FRONT



Not for customer application!

511-01-S69-TA1



SECTION B-B

513-01-S69-TA3

Right hand slide = Left hand slide.

Dimensions between marks are guide dimensions.

Thomas Regout Int. B.V. reserves the right to alter non-customer specific specifications without notice.

Released for Production

DIMENSIONS ARE CALCULATED FROM METRIC VALUES
THOMAS REGOUT B.V. RESERVES THE RIGHT TO ALTER NON-CUSTOMER SPECIFICATIONS WITHOUT NOTICE

Designer: M. Mahieu	Gen. Tol. Dim.	Third angle projection	Material
Date	Gen. Tol. Angle		Treatment
Approver	Gen. Roughness	Draw type: Fabrication	Doc. No.: E000052938
Date	Units: Inch/deg	Scale: 1:1	Type: Model No.: E000052938

Description: TITAN HD 800 / 800 (18,4mm) [31.50"/31.50"(0.724")]

Format: A0	THOMAS REGOUT INTERNATIONAL B.V.	Item No.: 101-S69_Inch	Revision: 00
------------	----------------------------------	------------------------	--------------