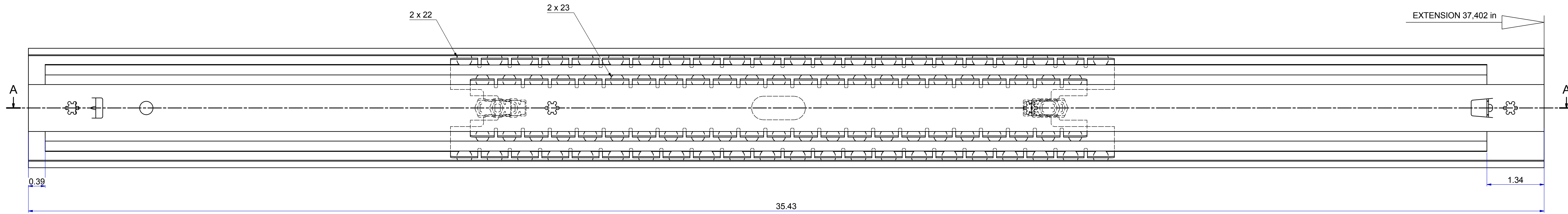
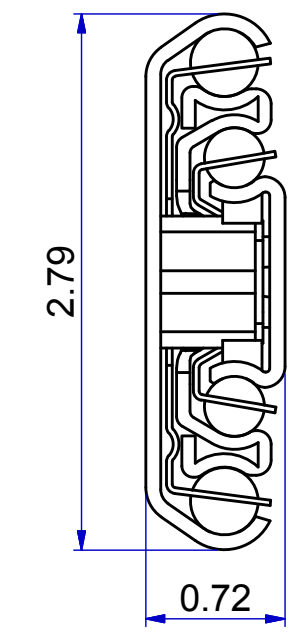
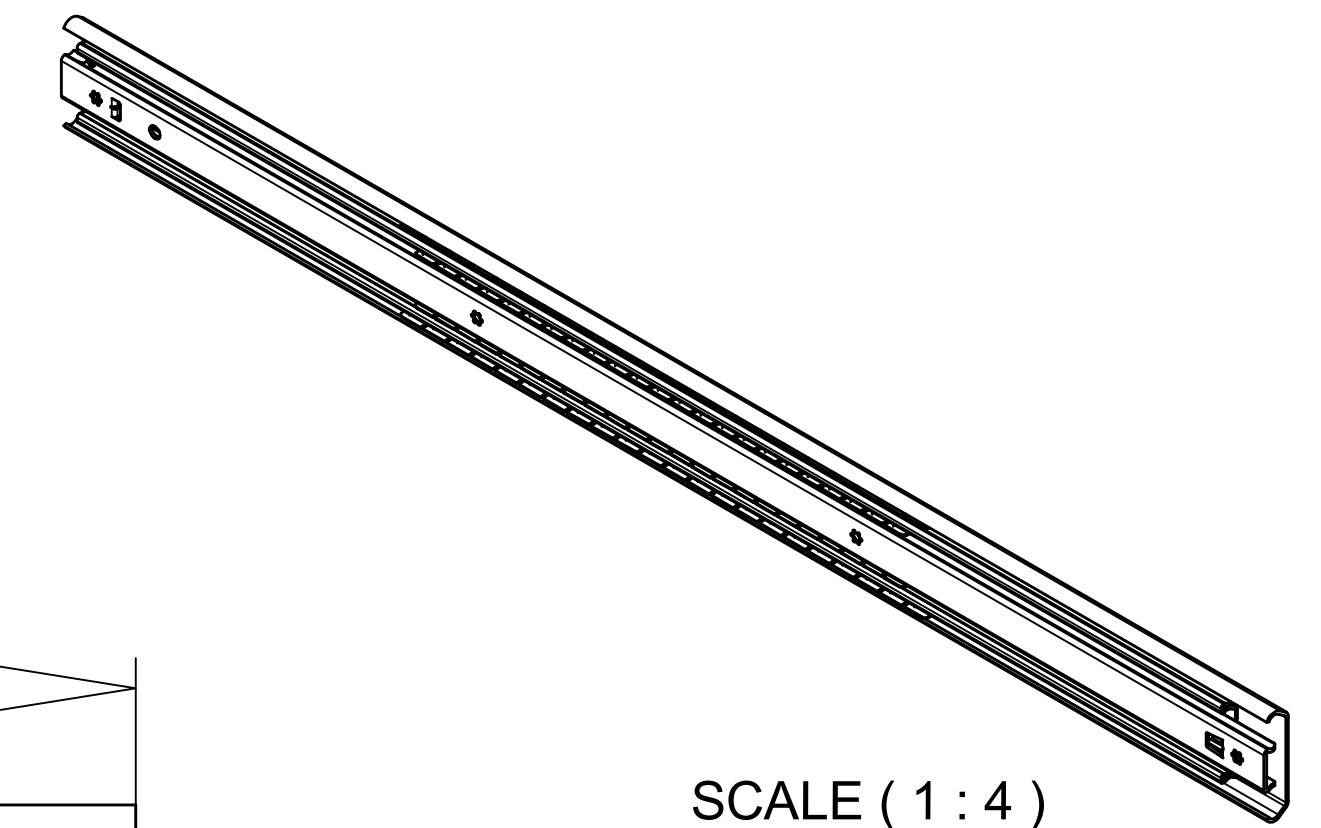
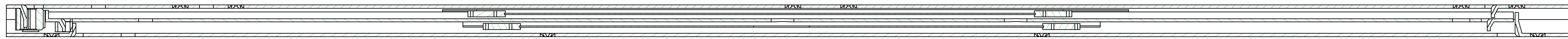
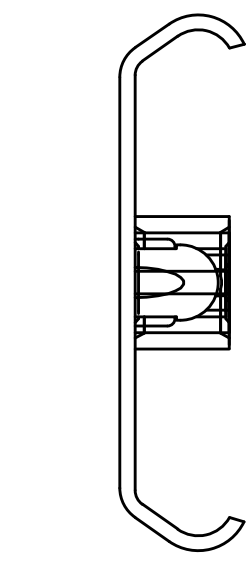


T 1-2 = 18,976 in  
T 2-3 = 18,425 in

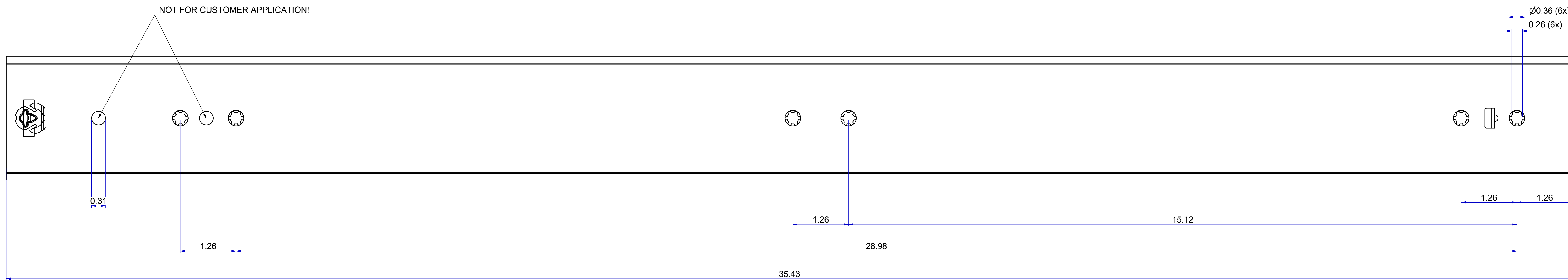
A-A (1:1)



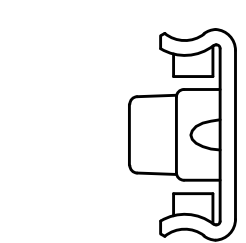
NOT FOR CUSTOMER APPLICATION!



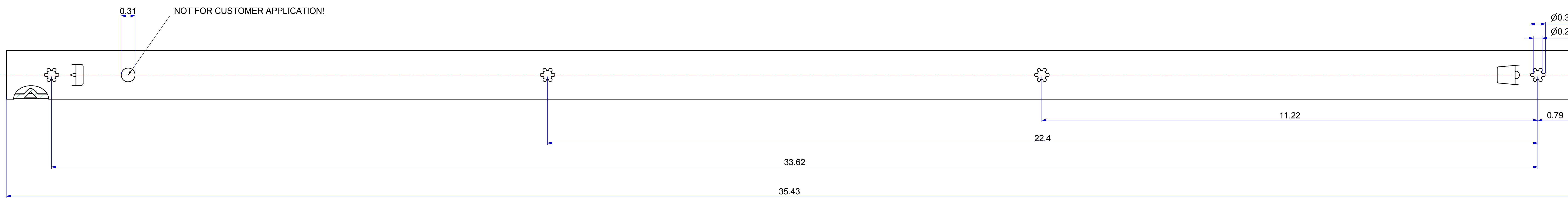
511-01-S30-TA1



NOT FOR CUSTOMER APPLICATION!



513-01-S30-TA3



Released for Production

DIMENSIONS ARE CALCULATED FROM METRIC VALUES  
THOMAS REGOUT B.V. RESERVES THE RIGHT TO ALTER NON-CUSTOMER SPECIFICATIONS WITHOUT NOTICE

Designer	Gen.Tol.Dim.	Third angle projection	Material	Generic
Date	26-10-2015	Gen.Tol.Angle	Treatment	
Approver	Gen.Roughness	Scale	Draw type	Fabrication
Date	Units	Inch/deg	Scale	1:1
Description		Units	Type	Model No.
TITAN 900 / 950 (18,4mm) [35.43"/37.40"(0.724")]		Inch		E000036294

Format	Item No.	Version
A0	THOMAS REGOUT INTERNATIONAL B.V. 101-S30_Inch	00

© THOMAS REGOUT INTERNATIONAL B.V., Industrieweg 40, 6219 NR, Maastricht, The Netherlands, +31 (0)43 353 66 66 All rights are reserved.