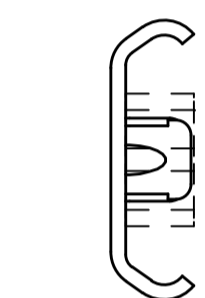
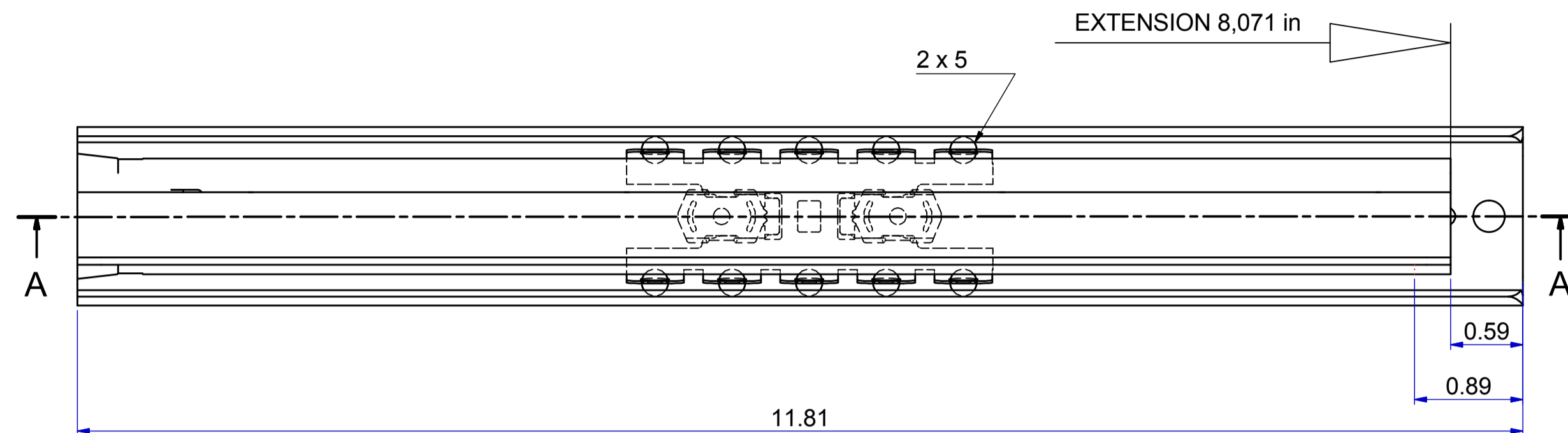
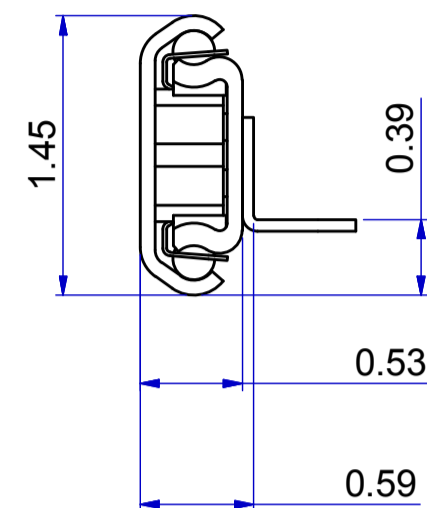
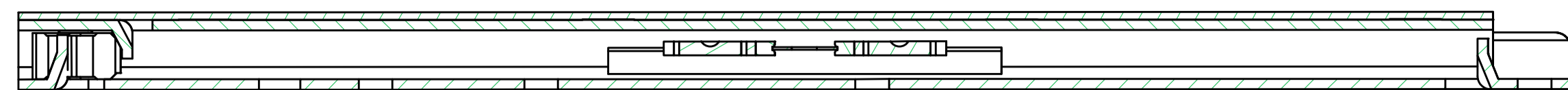
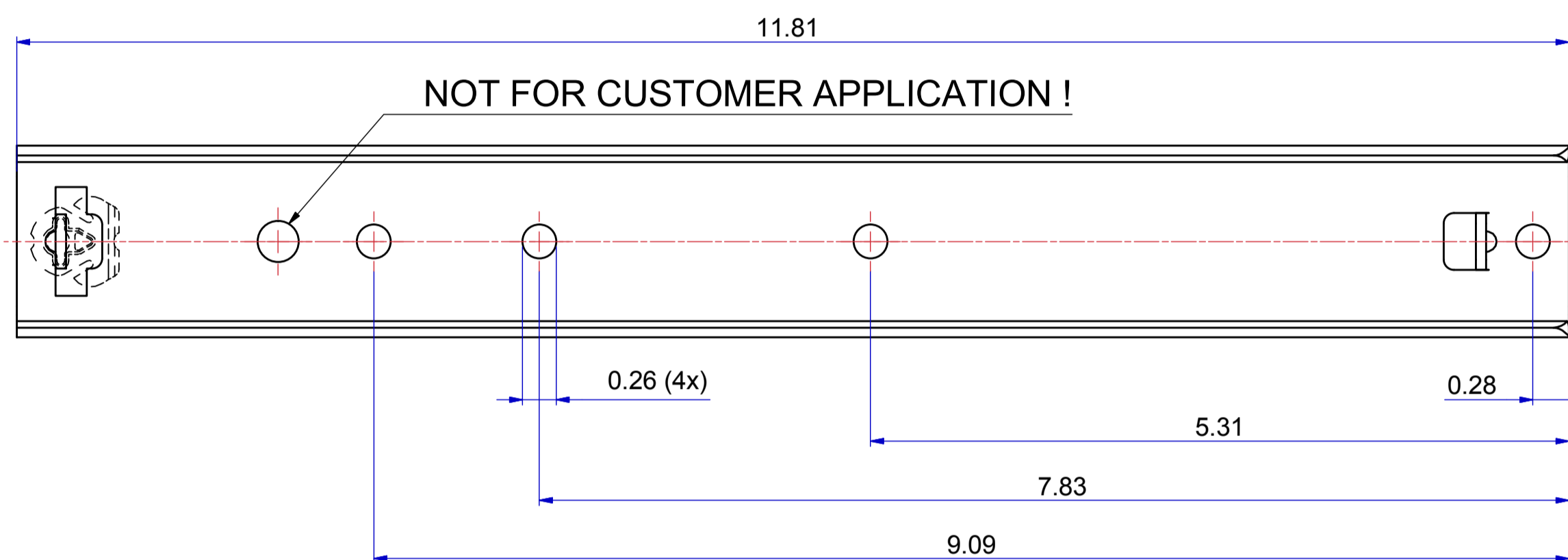


A-A (1:1)

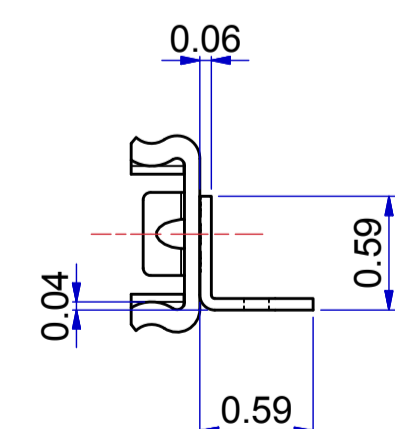
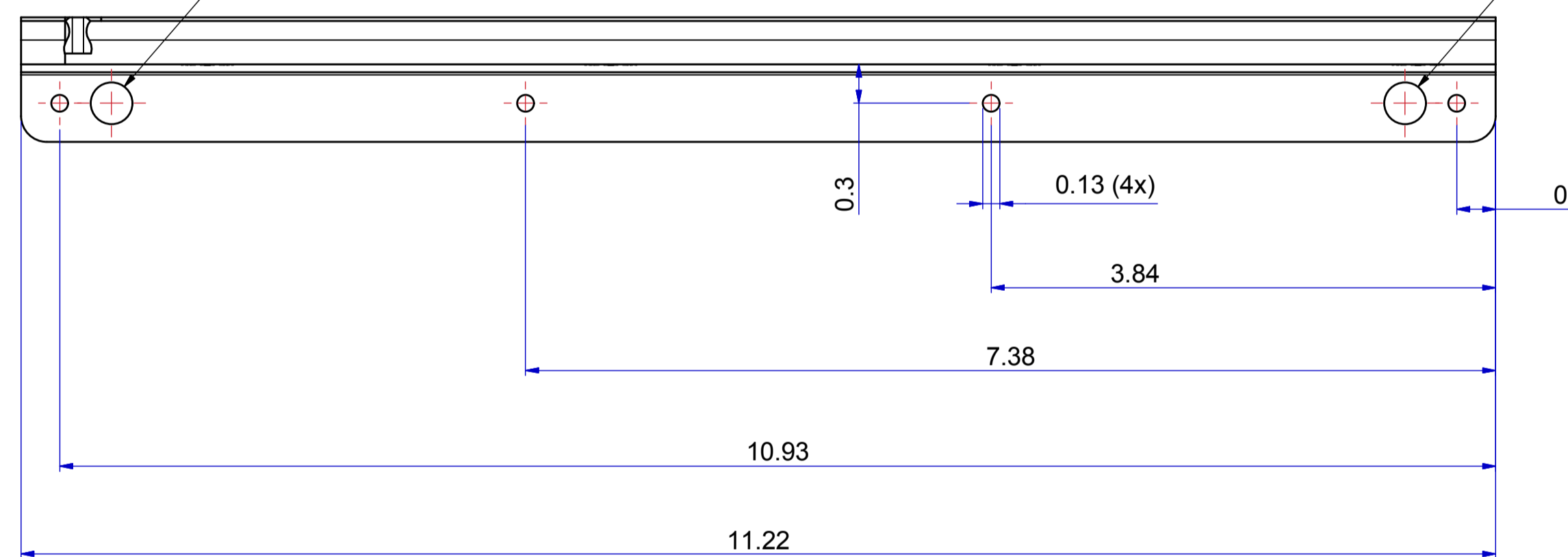


511-07-239-FA1

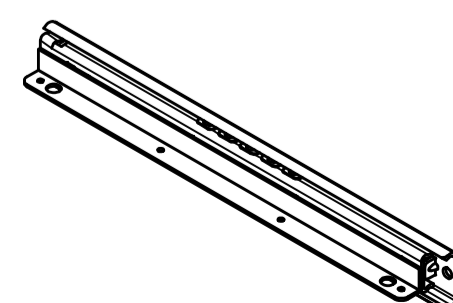
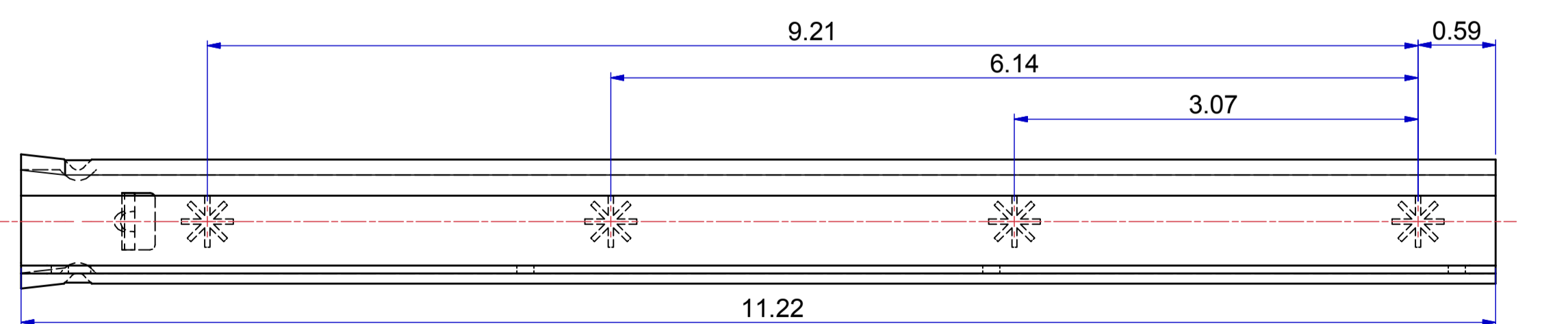


NOT FOR CUSTOMER APPLICATION !

NOT FOR CUSTOMER APPLICATION !



513-07-239-FA2



Released for Production

Right hand slide is shown part,
Left hand slide is opposite part.

Dimensions between marks are guide dimensions.

Thomas Regout Int. B.V. reserves the right to alter
non-customer specific specifications without notice.

DIMENSIONS ARE CALCULATED FROM METRIC VALUES
THOMAS REGOUT B.V. RESERVES THE RIGHT TO ALTER NON-CUSTOMER
SPECIFICATIONS WITHOUT NOTICE

Designer J.Bastings	Gen.Tol.Dim.	Third angle projection	Material
Date 10-8-1994	Gen.Tol.Angle		Treatment
Approver	Gen.Roughness		Draw type Fabrication
Date	Units Inch/deg	Scale 1 : 1	Type Model No. E000032060

Description
FINN 300 / 205 (13,5mm) [11.81"/8.071"(0,531")]

Format A1		Item No. 107-239_Inch	Revision 00
-----------	--	-----------------------	-------------

02	-	-	-
00	16-02-2017	SLEUFGAT + OPHANGGAT 8mm VERWIJDERT FA2	M. MAHIEU
00	15-06-2015	GETEKEND IN INVENTOR, LASPUNTEN	W.Jans
Rev	Date	Description	Designer