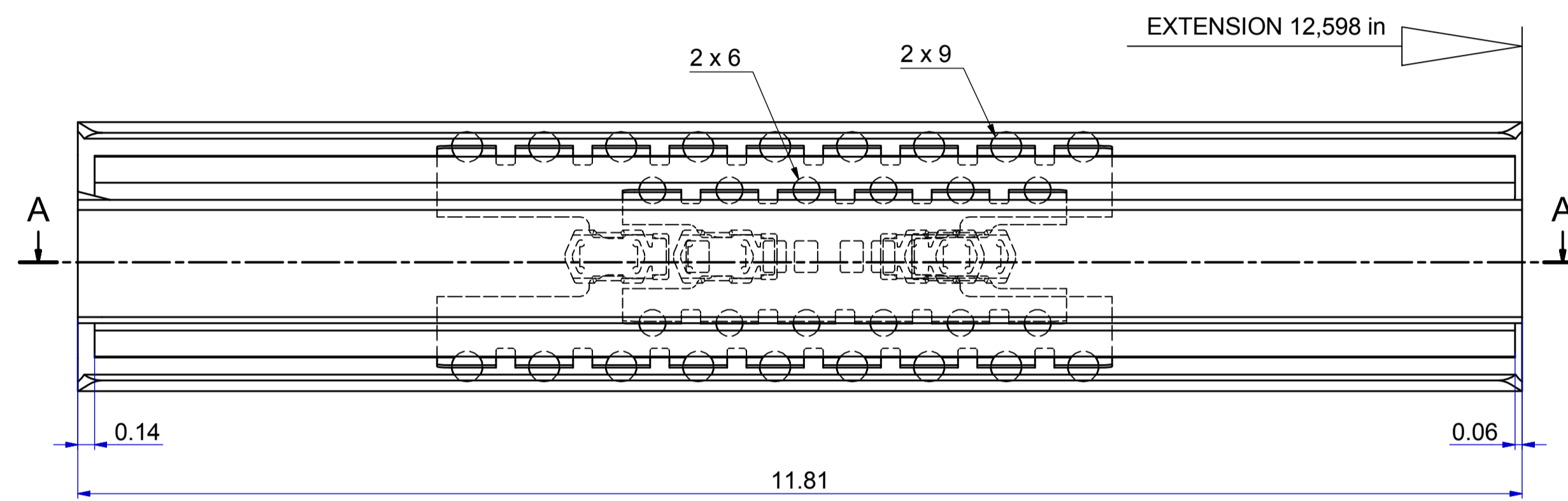
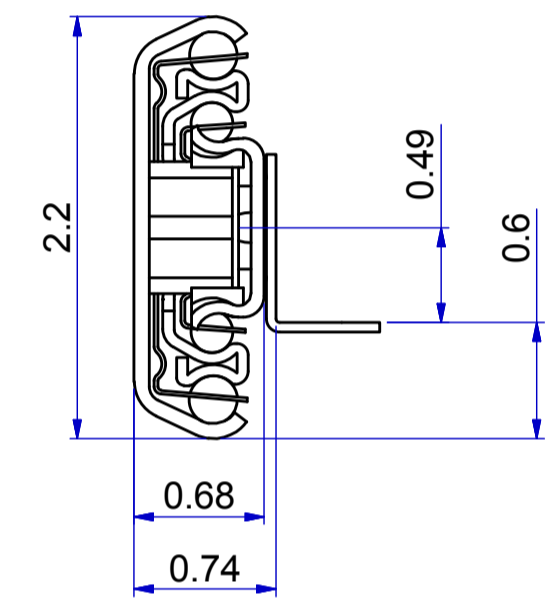
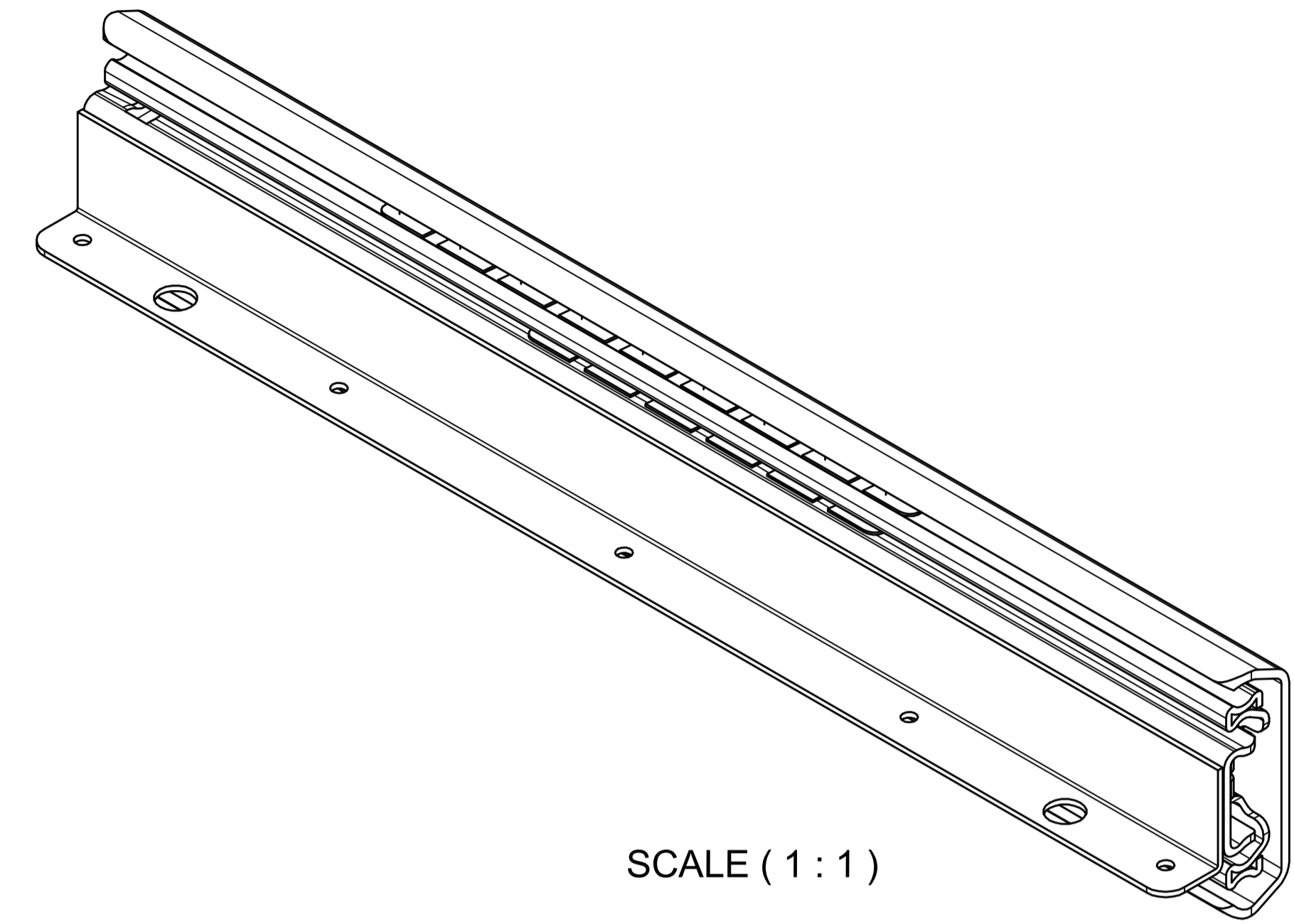
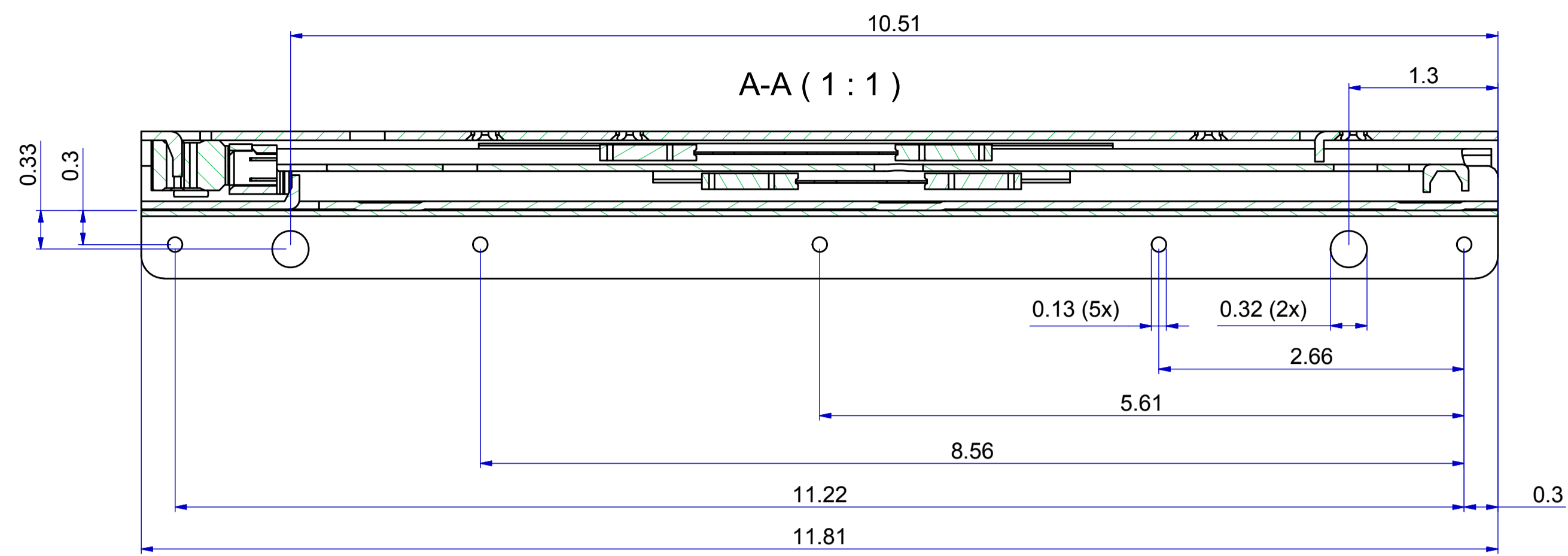
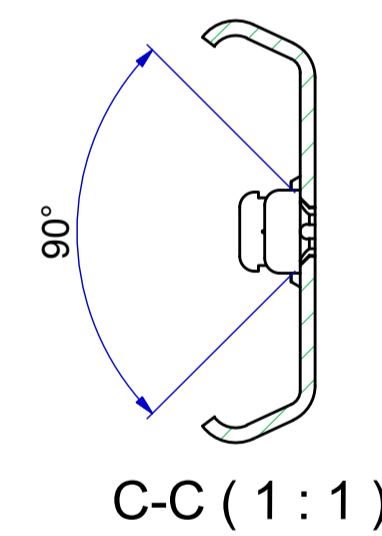
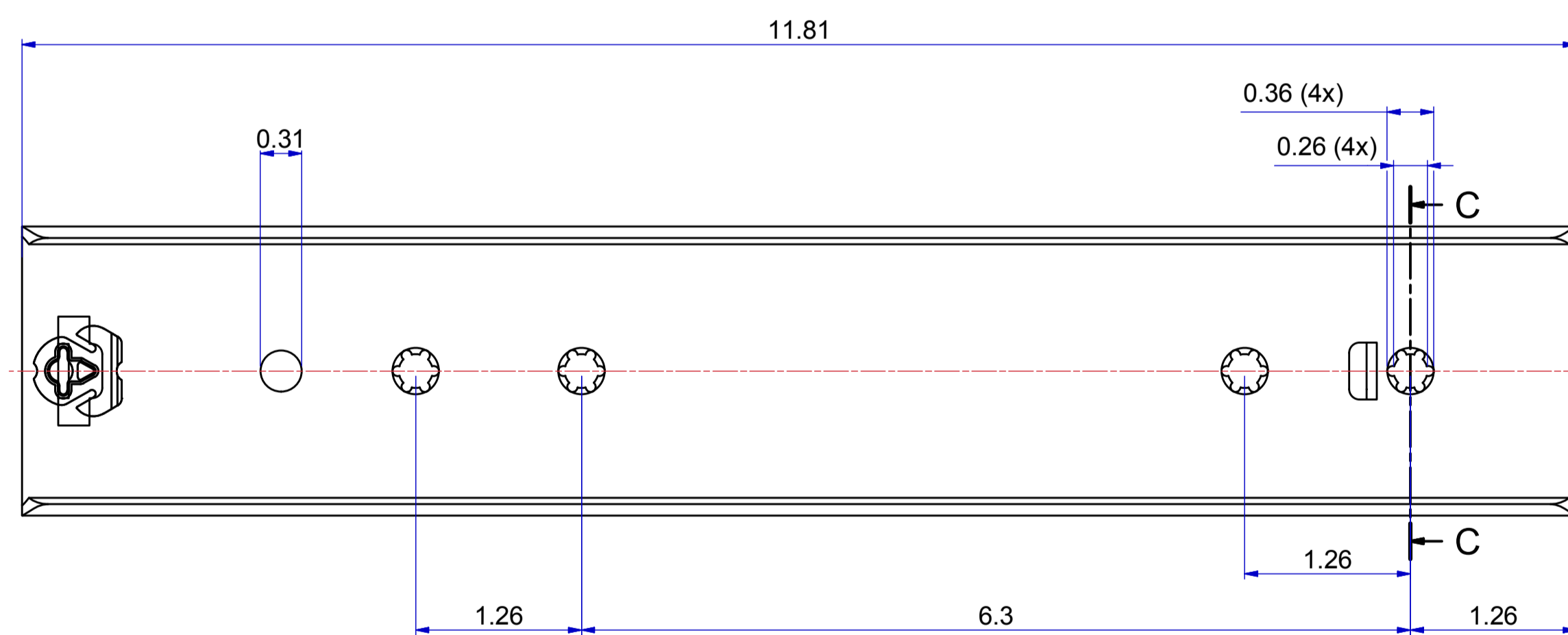


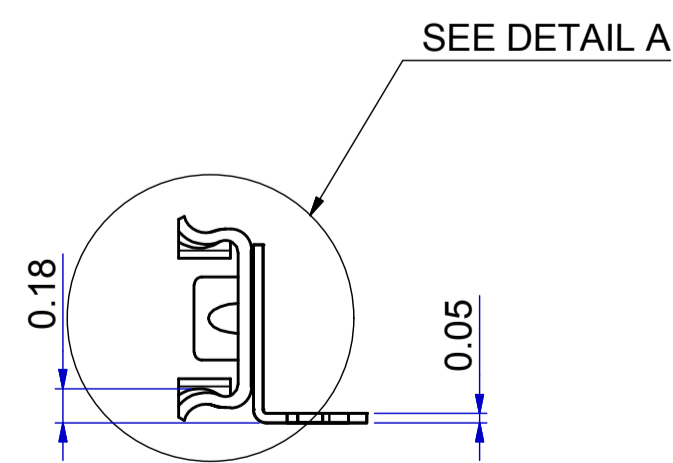
T 1-2 = 5,610 in
T 2-3 = 6,988 in



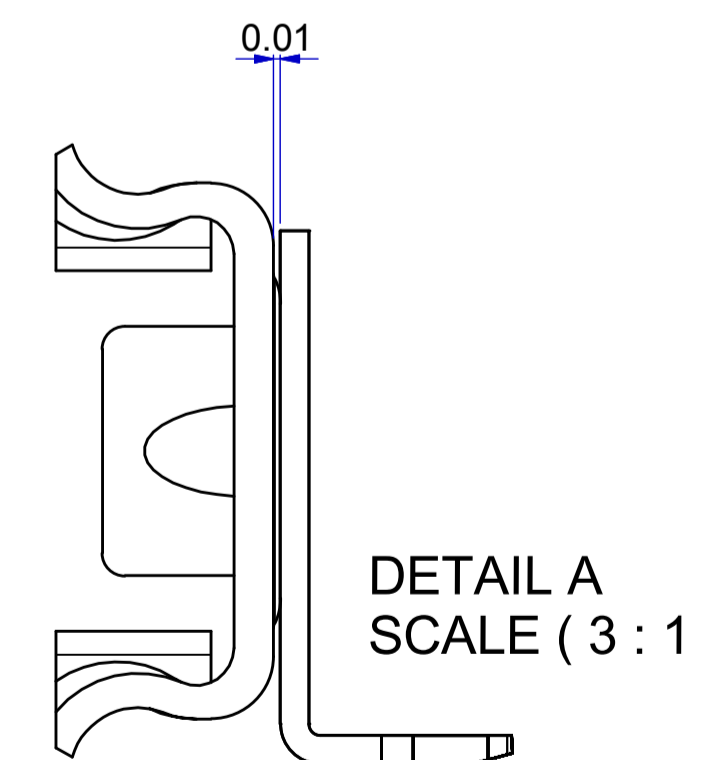
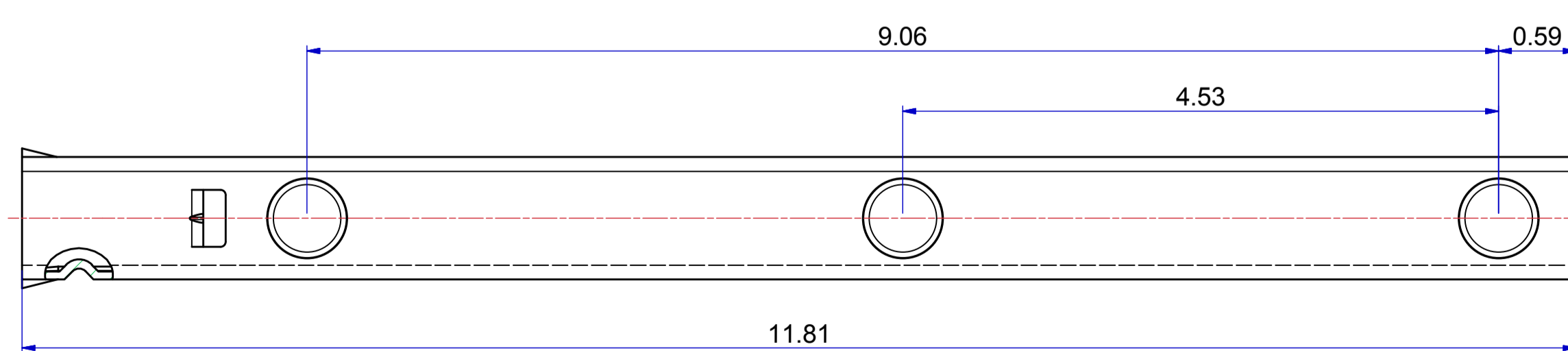
FRONT



511-12-S01-HDA



513-12-S01-UB3



DETAIL A
SCALE (3:1)

DIMENSIONS ARE CALCULATED FROM METRIC VALUES
THOMAS REGOUT B.V. RESERVES THE RIGHT TO ALTER NON-CUSTOMER
SPECIFICATIONS WITHOUT NOTICE

Designer D.Koper	Gen.Tol.Dim.	Third angle projection	Material Generic
Date 22-10-2015	Gen.Tol.Angle		Treatment
Approver Gen.Rougness	Gen.Rougness		Draw type Fabrication
Date	Units Inch/deg	Scale 1:1	Type Model No. E000036164

Description
ULF HD 300 / 320 (17,2mm) [11.81"/12.60"(0.677")]
Released for Production

Format A1	THOMAS REGOUT INTERNATIONAL B.V.	Item No. 112-S01_Inch	Revision 00
-----------	----------------------------------	-----------------------	-------------