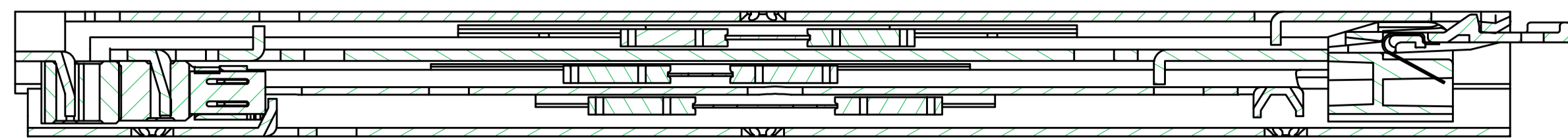


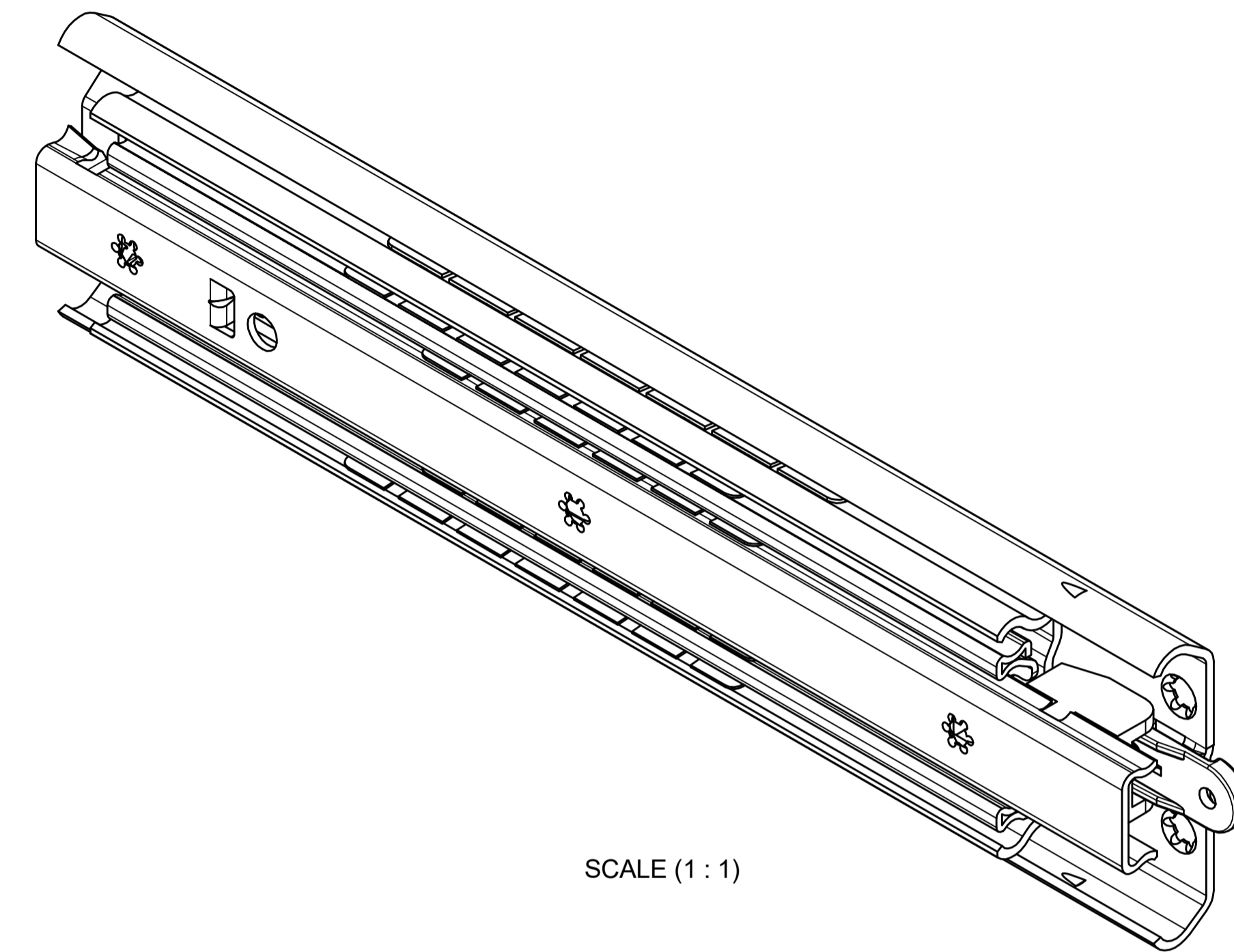
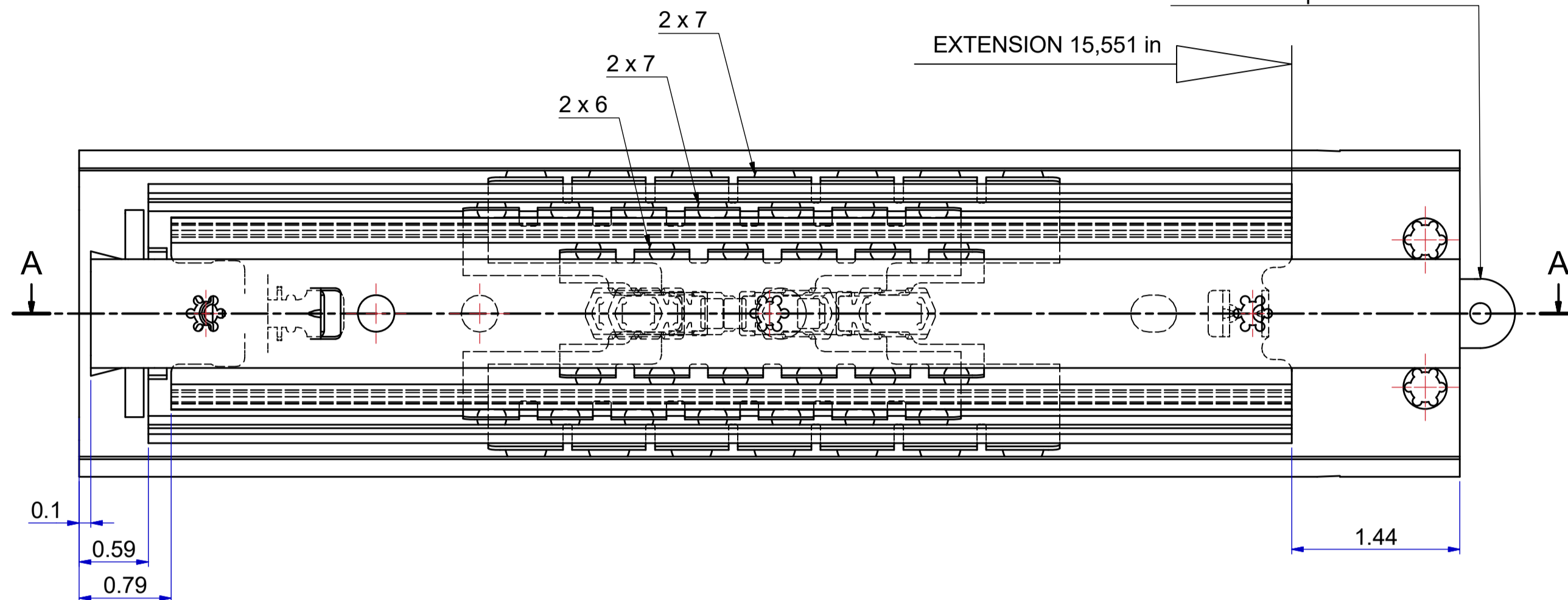
A-A (1:1)



T 1-2 = 5,630 in  
T 2-3 = 5,000 in  
T 3-4 = 4,921 in

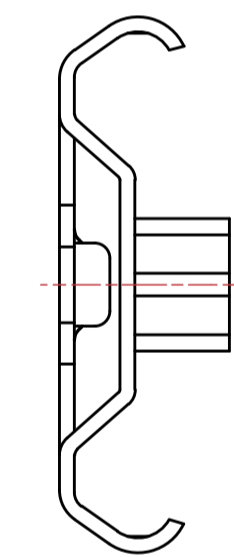
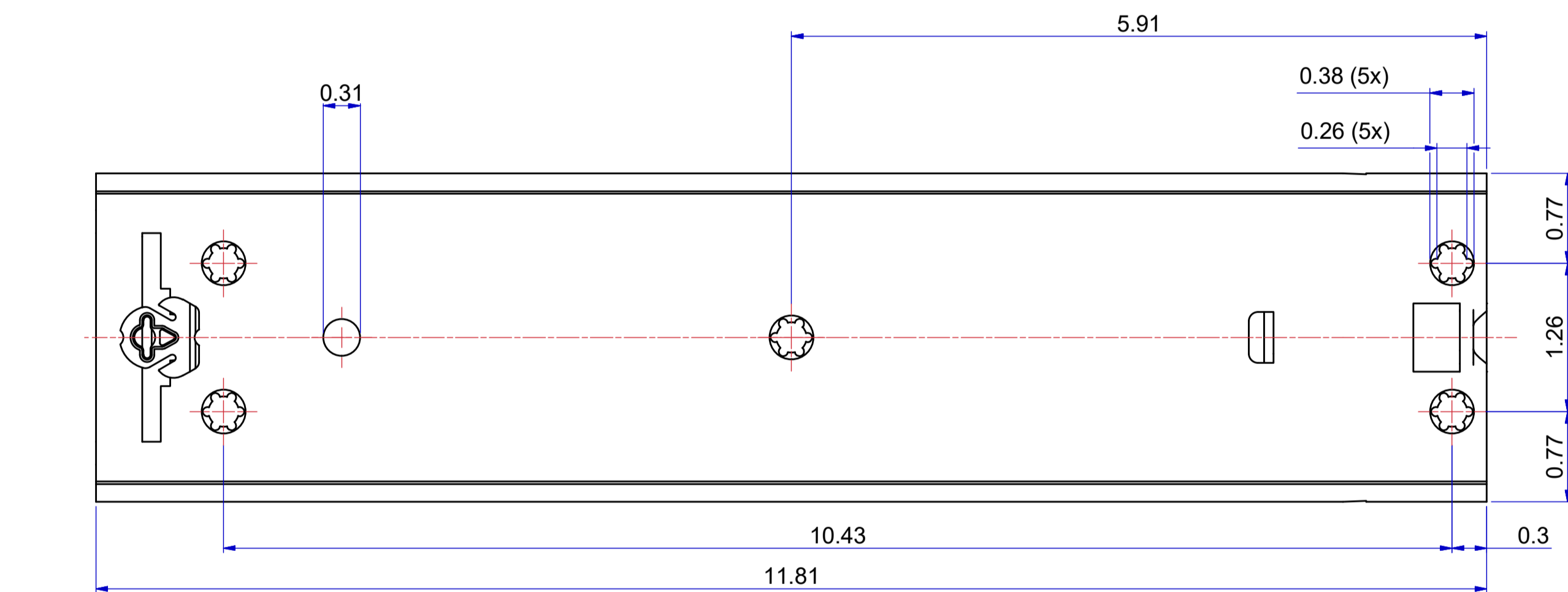
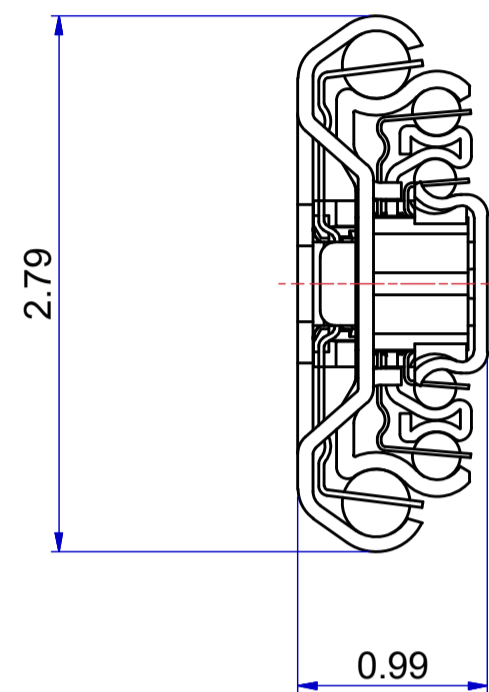
Lock-in latsch not assembled.  
1 Piece separate delivered

EXTENSION 15,551 in

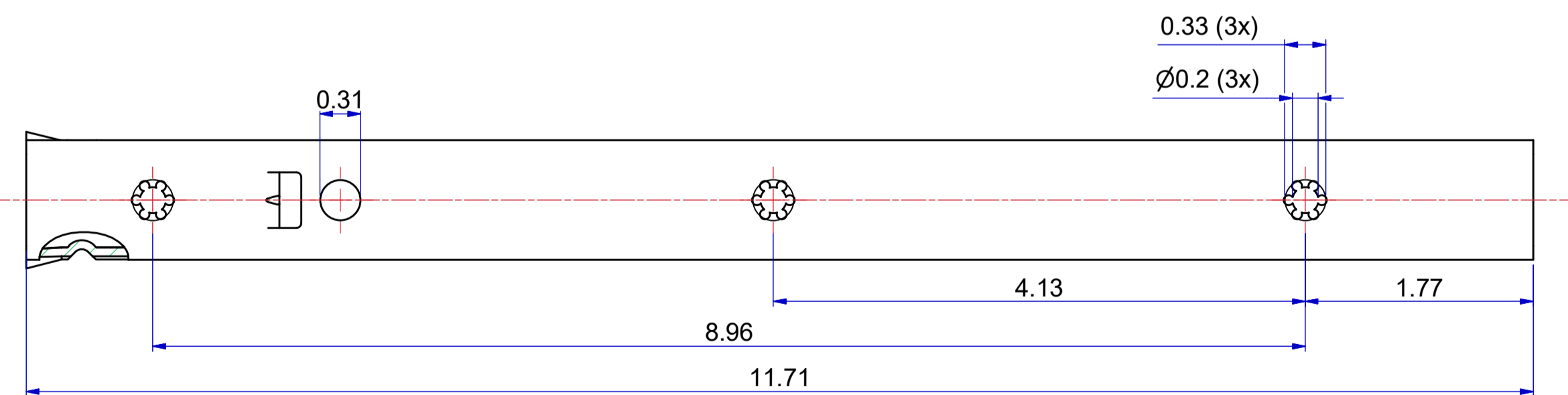


FRONT

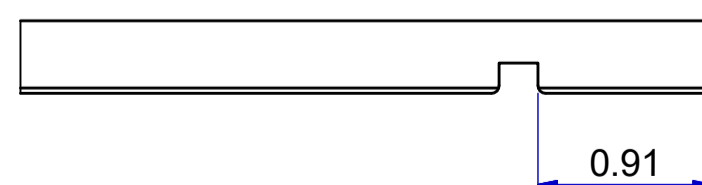
SCALE (1:1)



511-11-M32-TA1



514-11-M32-UB3



DIMENSIONS ARE CALCULATED FROM METRIC VALUES  
THOMAS REGOUT B.V. RESERVES THE RIGHT TO ALTER NON-CUSTOMER  
SPECIFICATIONS WITHOUT NOTICE

Designer	R.Schreurs	Gen.Tol.Dim.	Third angle projection	Material	Generic
Date	12-10-2015	Gen.Tol.Angle		Treatment	
Approver		Gen.Roughness		Draw type	Fabrication
Date		Units	Inch/deg	Scale	1:1
				Type	Model No. E000035873

Description  
CONDOR 300 / 395 (25,1mm) [11.81"/15.55"(0.988")]  
Released for Sample

Format	A1	THOMAS REGOUT INTERNATIONAL B.V.	Item No.	111-M32_Inch	Revision	00
--------	----	-------------------------------------	----------	--------------	----------	----