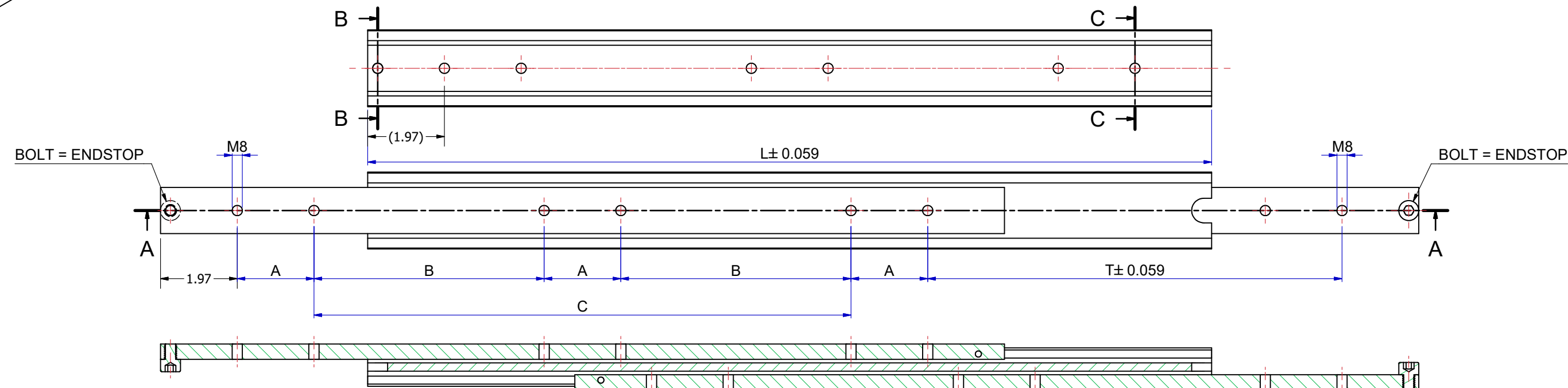
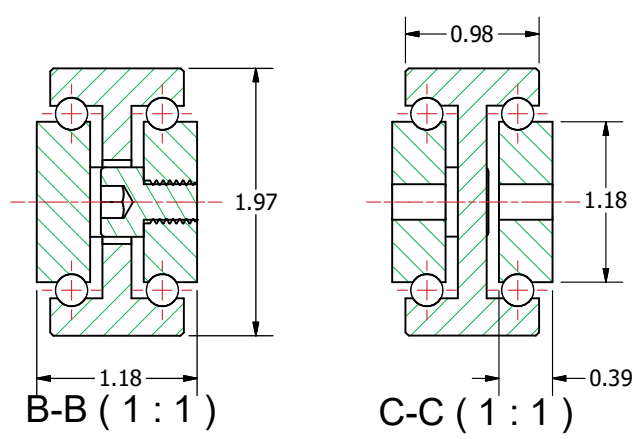


Slide number	Installation length L (inch)	Travel T (inch)	Load per pair (kg) steel	Load per pair (kg) aluminum	Load per pair (kg) stainless steel	Dimension A	Dimension B	Dimension C
13850S01	7,874	7,874	340	110	238	1,969	-	-
13850S02	9,843	9,843	350	120	245	1,969	-	1,969
13850S03	11,811	11,811	360	130	252	1,969	-	3,937
13850S04	13,780	13,780	370	140	259	1,969	-	5,906
13850S05	15,748	15,748	380	150	266	1,969	-	7,874
13850S06	17,717	17,717	390	160	273	1,969	-	9,843
13850S07	19,685	19,685	400	170	280	1,969	-	11,811
13850S08	21,654	21,654	410	180	287	1,969	5,906	-
13850S09	23,622	23,622	420	175	294	1,969	6,890	-
13850S10	25,591	25,591	410	170	287	1,969	7,874	-
13850S11	27,559	27,559	400	165	280	1,969	8,858	-
13850S12	29,528	29,528	390	160	273	1,969	9,843	-
13850S13	31,496	31,496	380	155	266	1,969	10,827	-
13850S14	33,465	33,465	370	150	259	1,969	11,811	-
13850S15	35,433	35,433	360	145	252	1,969	12,795	-
13850S16	37,402	37,402	350	140	245	1,969	13,780	-
13850S17	39,370	39,370	340	135	238	1,969	14,764	-
13850S18	41,339	41,339	330	130	231	1,969	15,748	-
13850S19	43,307	43,307	320	125	224	1,969	16,732	-
13850S20	45,276	45,276	310	120	217	1,969	17,717	-
13850S21	47,244	47,244	290	115	203	1,969	18,701	-

MATERIAL	ITEM NUMBER
STEEL	13850-Sxx
ALUMINIUM	13850-Sxx7
STAINLESS STEEL	13850-Sxx8



A-A



The load capacities are based on a 1% deflection test based on a simulation model (Finite Element Analysis) Load capacity in practice always depends on mounting use and other external factors that can influence this. Tolerance $\pm 0,5\text{mm}$ measured from reference point.

DIMENSIONS ARE CALCULATED FROM METRIC VALUES
THOMAS REGOUT INT. BV. RESERVES THE RIGHT TO
ALTER NON-CUSTOMER SPECIFICATIONS WITHOUT NOTICE

Designer M. Urlings	Gen.Tol.Dim. ± 0.0197	Third angle projection	Material	
Date 18-7-2018	Gen.Tol.Angle ± 0.0197		Treatment	
Approver	Gen.Roughness Ra		Draw type Fabrication	Doc.No. E000147503
Date	Units inch/deg.		Scale 1 : 2	Type

Description
SUPREME TR5030 - (30)

Format A2	THOMAS REGOUT INTERNATIONAL B.V.	Item No. 13850-Sxx	Released for Production
© THOMAS REGOUT INTERNATIONAL BV, Industrieweg 40, 6219 NR, Maastricht, The Netherlands, +31 (0)43 351 66 66		All rights are reserved.	

Rev	Date	Description	Designer
01	02-06-2023	REVISED MODEL AND TABLE.	R.G