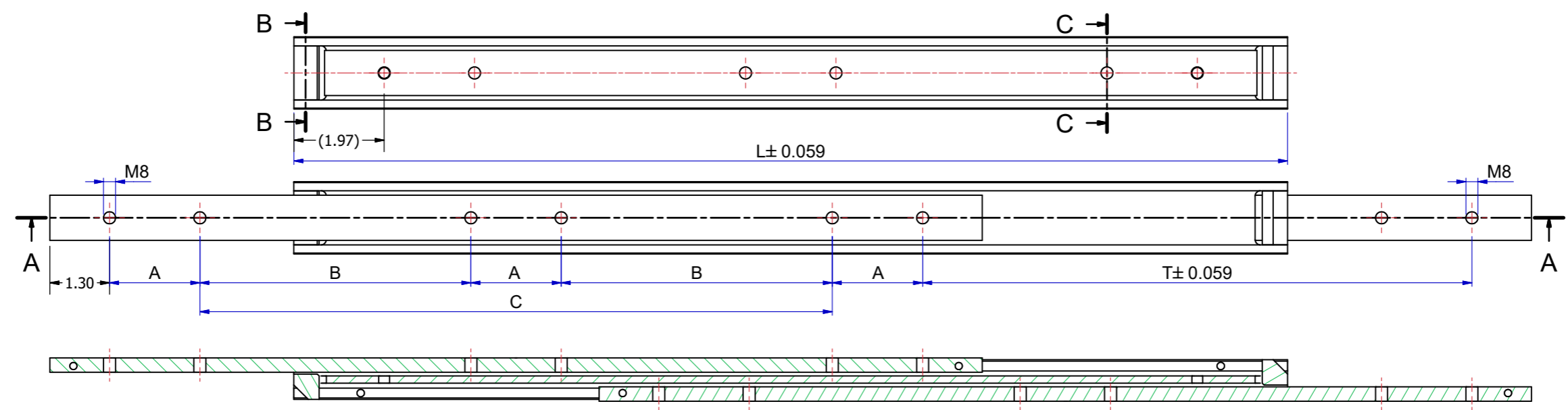
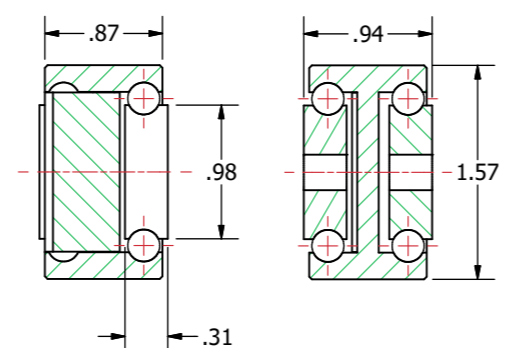


Slide number	Installation length L (inch)	Travel T (inch)	Load per pair (kg) steel	Load per pair (kg) aluminum	Dimension A	Dimension B	Dimension C
13840S01B	7,870	7,870	250	70	1,969	-	-
13840S02B	9,843	9,843	245	75	1,969	-	1,969
13840S03B	11,811	11,811	240	80	1,969	-	3,937
13840S04B	13,780	13,780	235	85	1,969	-	5,906
13840S05B	15,748	15,748	230	90	1,969	-	7,874
13840S06B	17,717	17,717	225	95	1,969	-	9,843
13840S07B	19,685	19,685	220	100	1,969	-	11,811
13840S08B	21,654	21,654	210	105	1,969	5,906	-
13840S09B	23,622	23,622	205	110	1,969	6,890	-
13840S10B	25,591	25,591	200	105	1,969	7,874	-
13840S11B	27,559	27,559	195	100	1,969	8,858	-
13840S12B	29,528	29,528	190	95	1,969	9,843	-
13840S13B	31,496	31,496	180	90	1,969	10,827	-
13840S14B	33,465	33,465	170	85	1,969	11,811	-
13840S15B	35,433	35,433	160	80	1,969	12,795	-
13840S16B	37,402	37,402	150	75	1,969	13,780	-
13840S17B	39,370	39,370	140	70	1,969	14,764	-
13840S18B	41,339	41,339	130	65	1,969	15,748	-
13840S19B	43,307	43,307	120	60	1,969	16,732	-
13840S20B	45,276	45,276	110	55	1,969	17,717	-
13840S21B	47,244	47,244	100	50	1,969	18,701	-

MATERIAL	ITEM NUMBER
STEEL	13840-SxxB
ALUMINIUM	13840-Sxx7B



A-A (1 : 2)



B-B (1 : 1) C-C (1 : 1)

The load capacities are based on a 1% deflection test based on a simulation model (Finite Element Analysis)  
 Load capacity in practice always depends on mounting use and other external factors that can influence this.  
 Tolerance ± 0,5mm measured from reference point.

**DIMENSIONS ARE CALCULATED FROM METRIC VALUES**  
**THOMAS REGOUT INT. BV. RESERVES THE RIGHT TO**  
**ALTER NON-CUSTOMER SPECIFICATIONS WITHOUT NOTICE**

Designer M.Urlings	Gen.Tol.Dim. ± 0.0197	Third angle projection	Material	
Date 19-7-2018	Gen.Tol.Angle ± 0.0197		Treatment	
Approver	Gen.Roughness Ra		Draw type Fabrication	Doc.No. E000147821
Date	Units inch/deg.		Scale 1 : 2	Type

Description  
**SUPREME TR4024 - (24) BILEX**

Format A2		Item No. 13840SxxB	Revision 01
-----------	--	--------------------	-------------

Released for Production

© THOMAS REGOUT INTERNATIONAL BV, Industrieweg 40, 6219 NR, Maastricht, The Netherlands, +31 (0)43 351 66 66 All rights are reserved.

Rev	Date	Description	Designer
01	12-5-2023	REVISED MODEL AND TABLE.	R.G