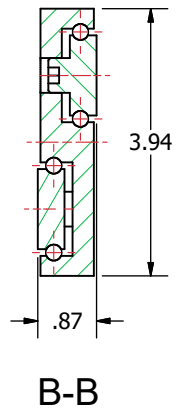
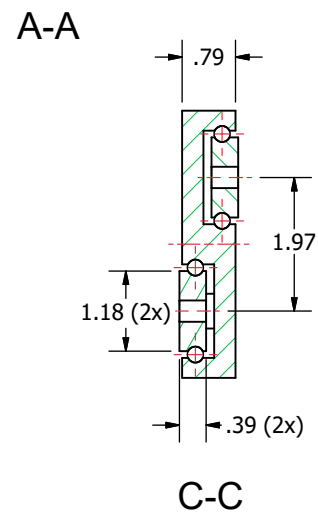
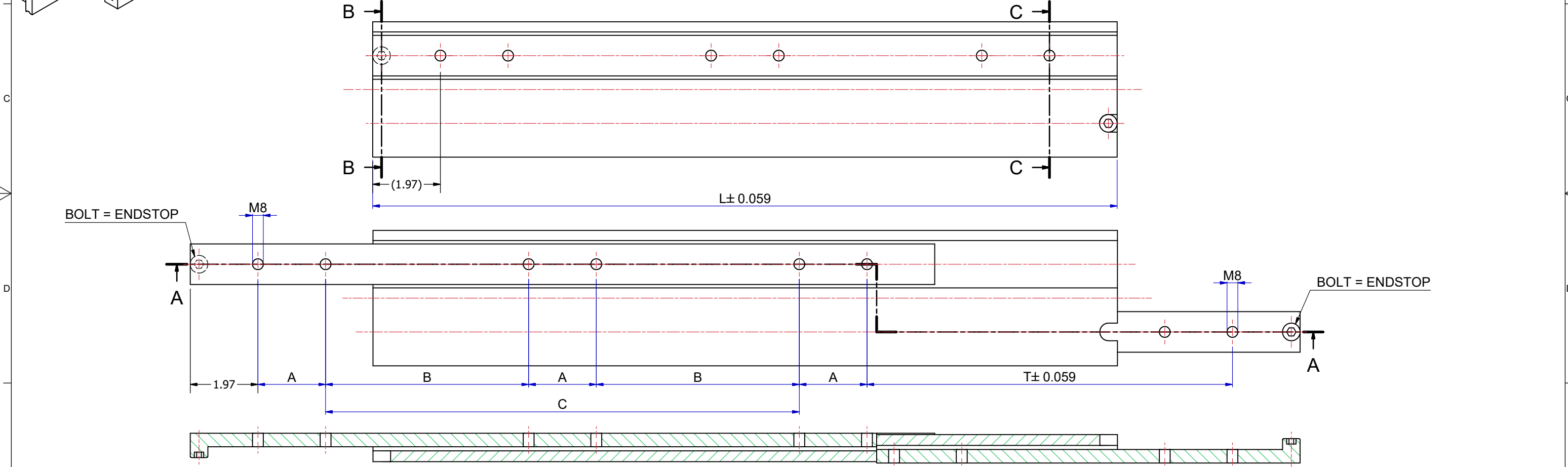


Slide number	Installation length L (inch)	Travel T (inch)	Load per pair (kg) steel	Dimension A	Dimension B	Dimension C
138100S30	7,874	7,874	250	1,969	-	-
138100S31	9,843	9,843	280	1,969	-	1,969
138100S32	11,811	11,811	320	1,969	-	3,937
138100S33	13,78	13,78	360	1,969	-	5,906
138100S34	15,748	15,748	390	1,969	-	7,874
138100S35	17,717	17,717	410	1,969	-	9,843
138100S36	19,685	19,685	425	1,969	-	11,811
138100S37	21,654	21,654	435	1,969	5,906	-
138100S38	23,622	23,622	420	1,969	6,89	-
138100S39	25,591	25,591	410	1,969	7,874	-
138100S40	27,559	27,559	400	1,969	8,858	-
138100S41	29,528	29,528	380	1,969	9,843	-
138100S42	31,496	31,496	360	1,969	10,827	-
138100S43	33,465	33,465	340	1,969	11,811	-
138100S44	35,433	35,433	320	1,969	12,795	-
138100S45	37,402	37,402	300	1,969	13,78	-
138100S46	39,37	39,37	285	1,969	14,764	-
138100S47	41,339	41,339	270	1,969	15,748	-
138100S48	43,307	43,307	255	1,969	16,732	-
138100S49	45,276	45,276	240	1,969	17,717	-
138100S50	47,244	47,244	230	1,969	18,701	-



The load capacities are based on a 1% deflection test based on a simulation model (Finite Element Analysis)
 Load capacity in practice always depends on mounting use and other external factors that can influence this.
 Tolerance ± 0,5mm measured from reference point.

DIMENSIONS ARE CALCULATED FROM METRIC VALUES
THOMAS REGOUT INT. BV. RESERVES THE RIGHT TO
ALTER NON-CUSTOMER SPECIFICATIONS WITHOUT NOTICE

Designer M.Urlings	Gen.Tol.Dim. ± 0.0197	Third angle projection	Material
Date 19-7-2018	Gen.Tol.Angle ± 0.0197		Treatment
Approver	Gen.Roughness Ra		Draw type Fabrication
Date	Units inch/deg.		Scale 1 : 2
Description			Model No.
SUPREME TR10022 - (22)			Released for Production
Format A2	THOMAS REGOUT INTERNATIONAL B.V.	Item No. 138100-Sxx	Revision 01
© THOMAS REGOUT INTERNATIONAL BV, Industrieweg 40, 6219 NR, Maastricht, The Netherlands, +31 (0)43 351 66 66 All rights are reserved.			

Rev	Date	Description	Designer
01	19-6-2023	REVISED MODEL AND TABLE.	R.G