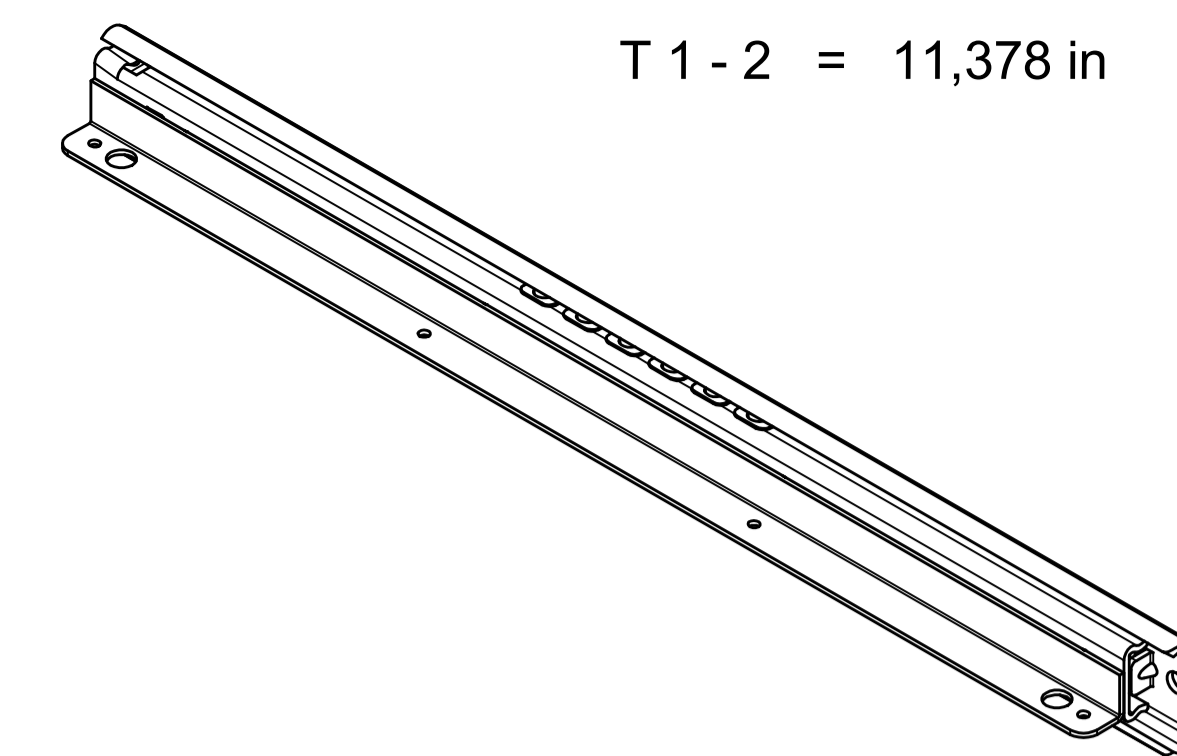
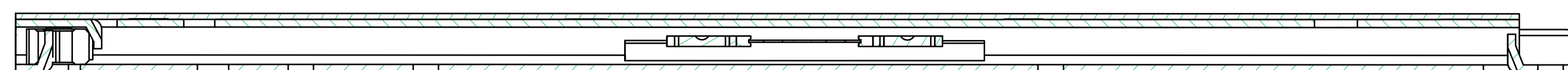


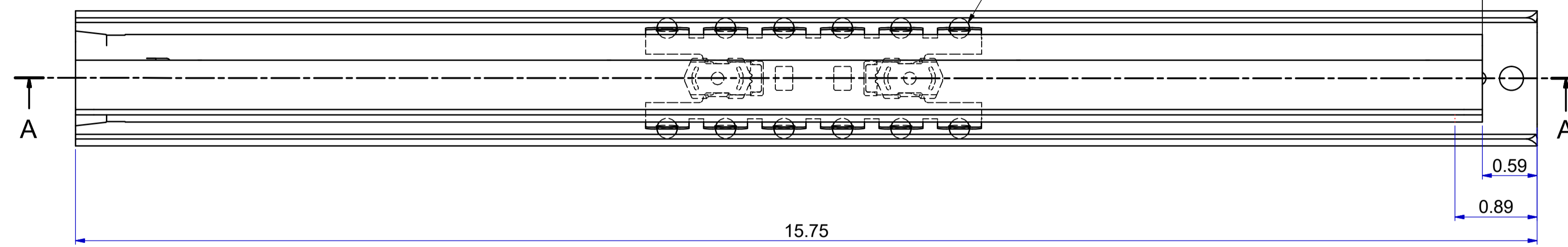
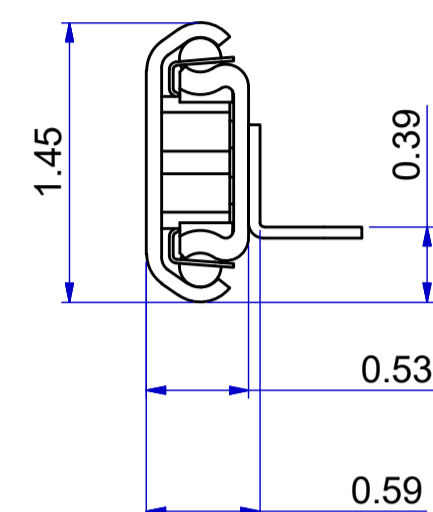
T 1 - 2 = 11,378 in

A-A (1:1)

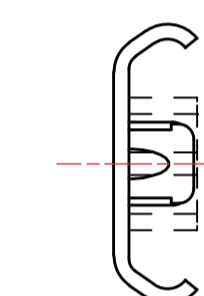


EXTENSION 11,378 in

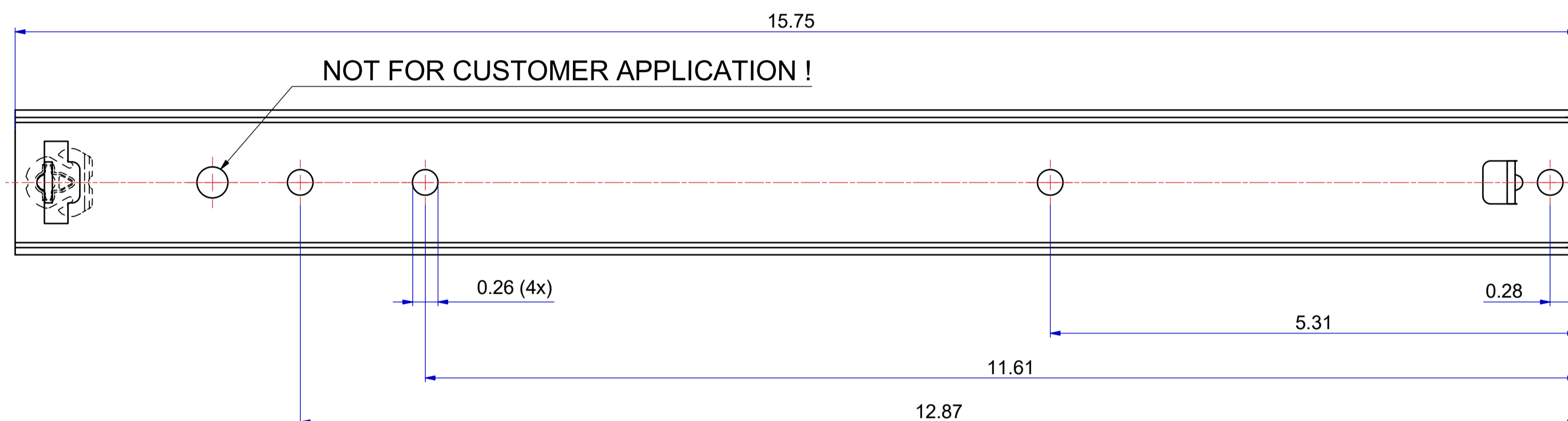
2 x 6



NOT FOR CUSTOMER APPLICATION !

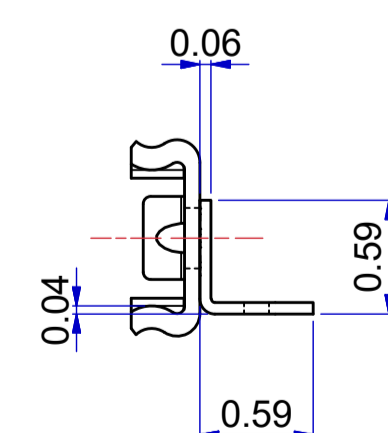


511-07-241-FA1

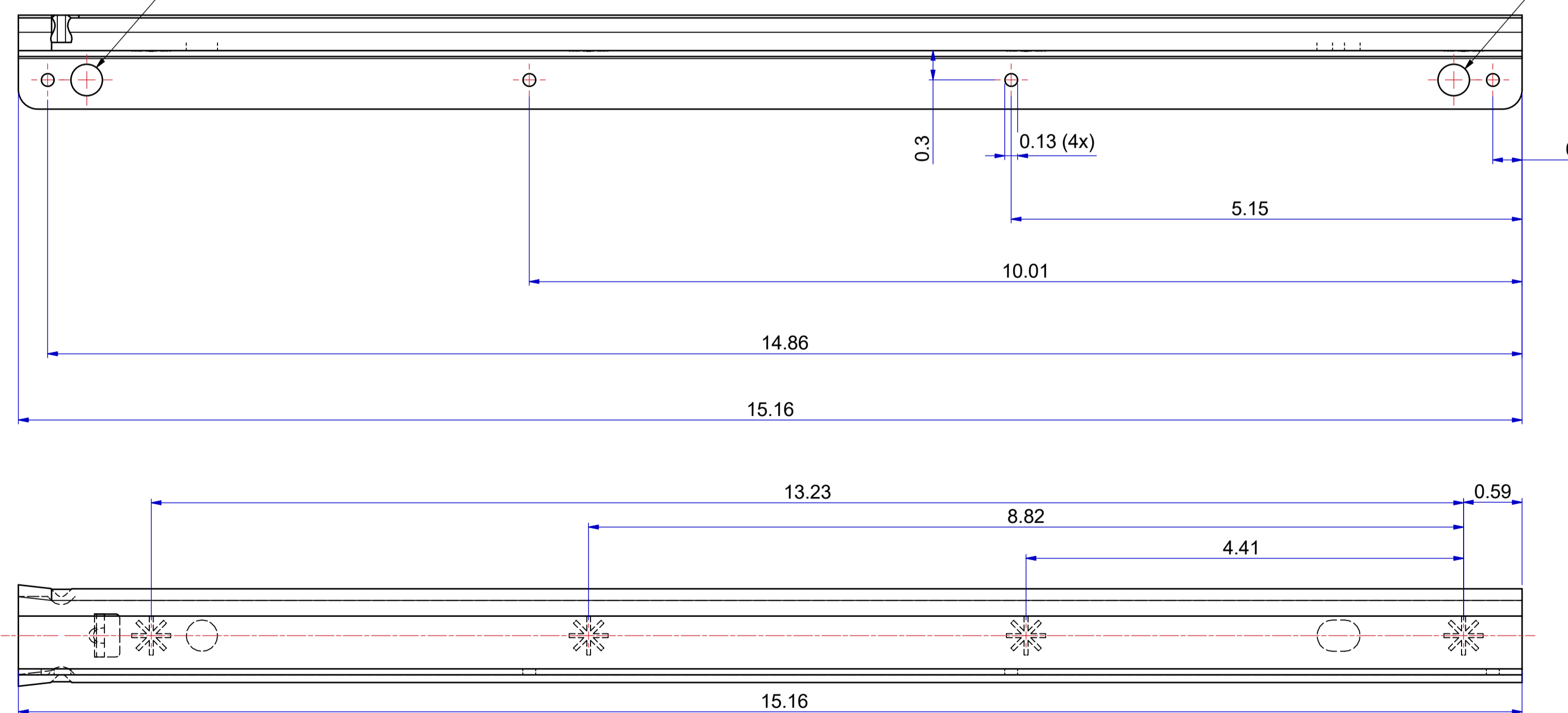


NOT FOR CUSTOMER APPLICATION !

NOT FOR CUSTOMER APPLICATION !



513-07-241-FA2



Released for Production

Right hand slide is shown part,
Left hand slide is opposite part.

Dimensions between marks are guide dimensions.

Thomas Regout Int. B.V. reserves the right to alter
non-customer specific specifications without notice.

DIMENSIONS ARE CALCULATED FROM METRIC VALUES
THOMAS REGOUT B.V. RESERVES THE RIGHT TO ALTER NON-CUSTOMER
SPECIFICATIONS WITHOUT NOTICE

Designer J.Bastings	Gen.Tol.Dim.	Third angle projection	Material
Date 11-8-1994	Gen.Tol.Angle		Treatment
Approver	Gen.Roughness		Draw type Fabrication
Date	Units Inch/deg	Scale 1 : 1	Type Model No. E000032012

Description
FINN 400 / 289 (13,5mm) [15.75"/11.38"(0.531")]
Released for Production

Format A1		Item No. 107-241_Inch	Revision 00
-----------	--	-----------------------	-------------

© THOMAS REGOUT INTERNATIONAL BV, Industrieweg 40, 6219 NR, Maastricht, The Netherlands, +31 (0)43 351 66 66 All rights are reserved.

02	-	-	-
01	-	-	-
00	15-06-2015	GETEKEND IN INVENTOR, LASPUNTEN	W.Jans
Rev	Date	Description	Designer