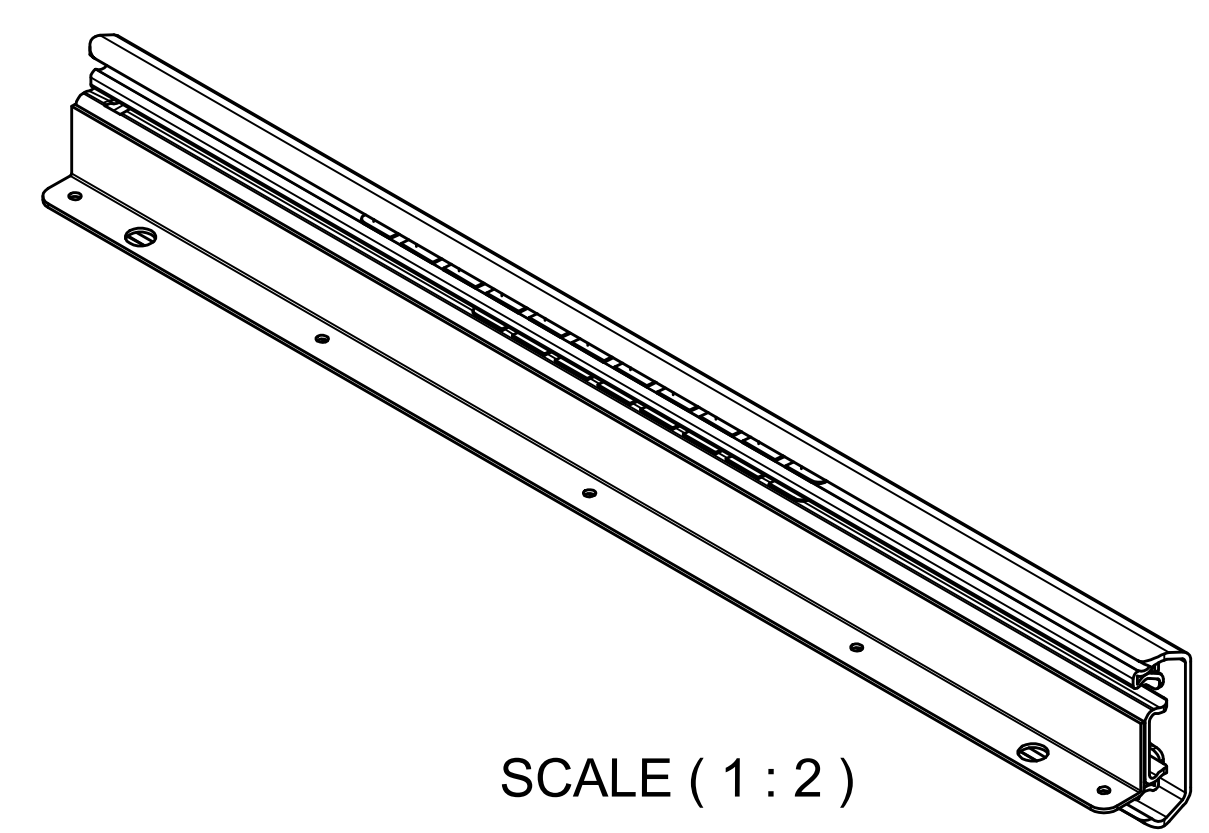
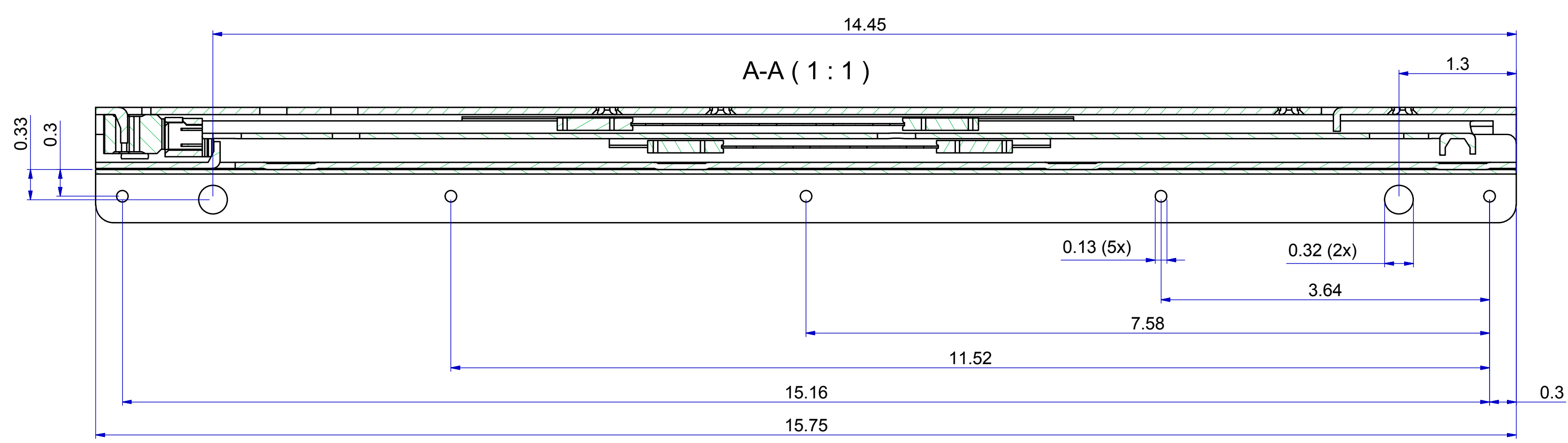
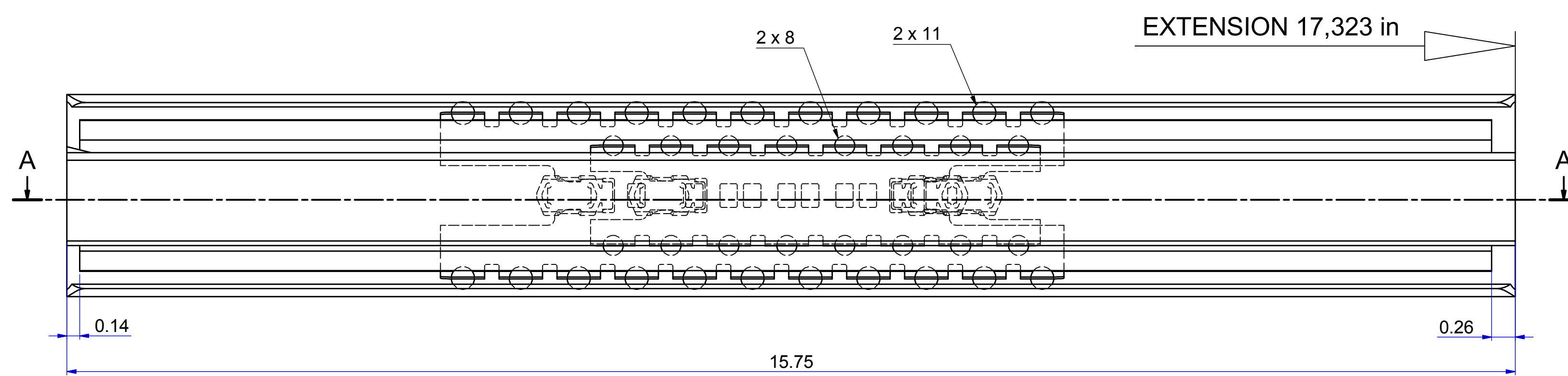
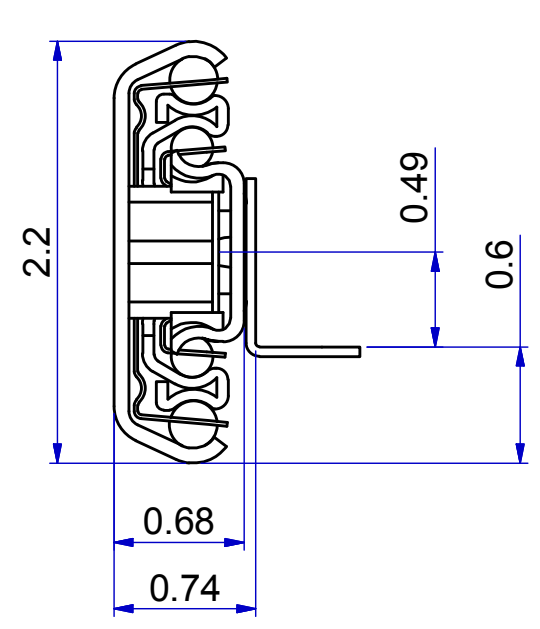


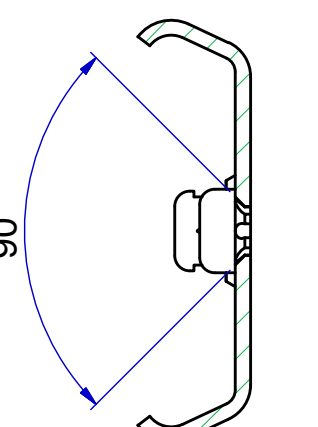
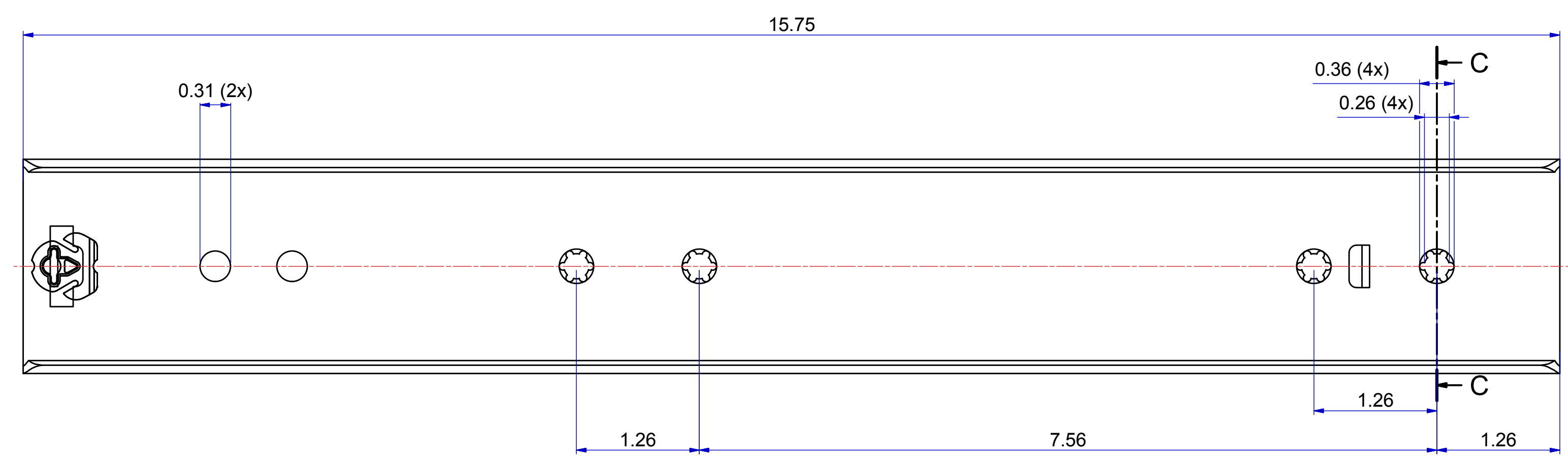
T 1-2 = 7,854 in  
T 2-3 = 9,469 in



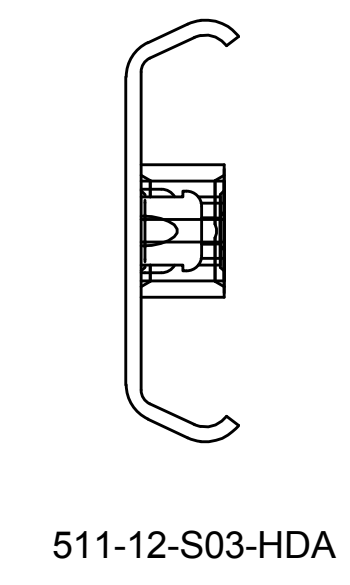
SCALE (1 : 2)



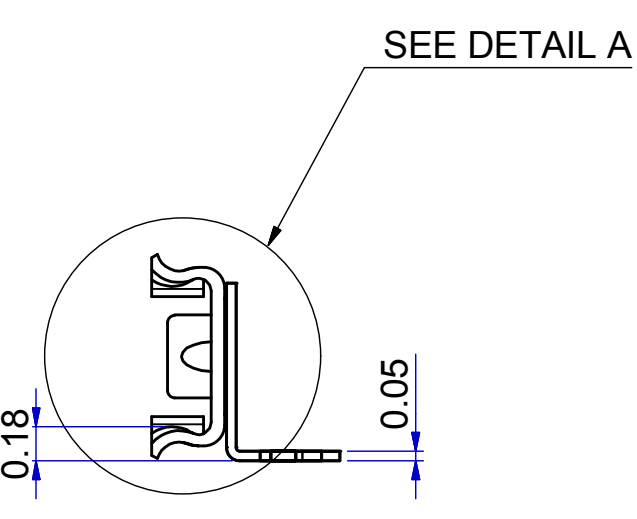
FRONT



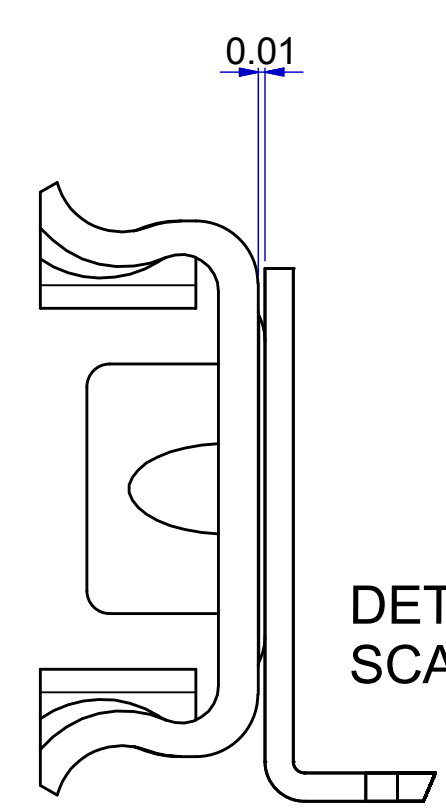
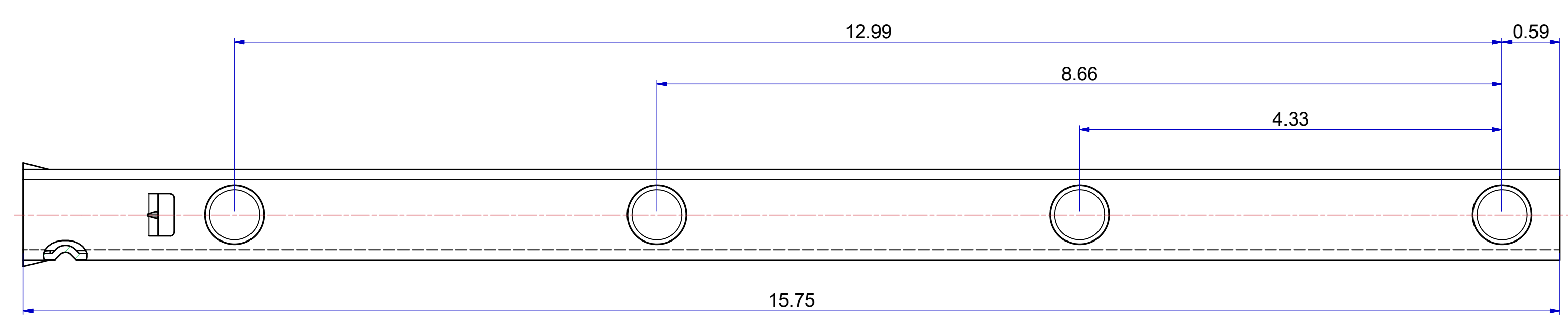
C-C (1 : 1)



511-12-S03-HDA



513-12-S03-UB3



DETAIL A  
SCALE (3 : 1)

DIMENSIONS ARE CALCULATED FROM METRIC VALUES  
THOMAS REGOUT B.V. RESERVES THE RIGHT TO ALTER NON-CUSTOMER  
SPECIFICATIONS WITHOUT NOTICE

Designer	D.Koper	Gen.Tol.Dim.	Third angle projection	Material	Generic
Date	22-10-2015	Gen.Tol.Angle		Treatment	
Approver		Gen.Roughness		Draw type	Fabrication
Date		Units	Inch/deg	Scale	1 : 1
				Type	Model No. E000036168

Description  
ULF HD 400 / 440 (17,2mm) [15.75"/17.32"(0.677")]  
Released for Production

Format	A1	THOMAS REGOUT INTERNATIONAL B.V.	Item No.	112-S03_Inch	Revision	00
--------	----	-------------------------------------	----------	--------------	----------	----