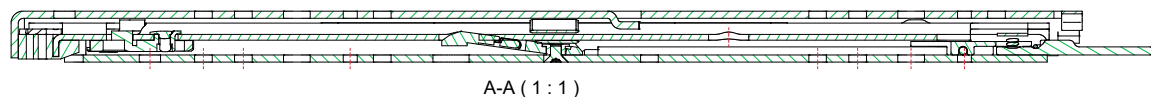
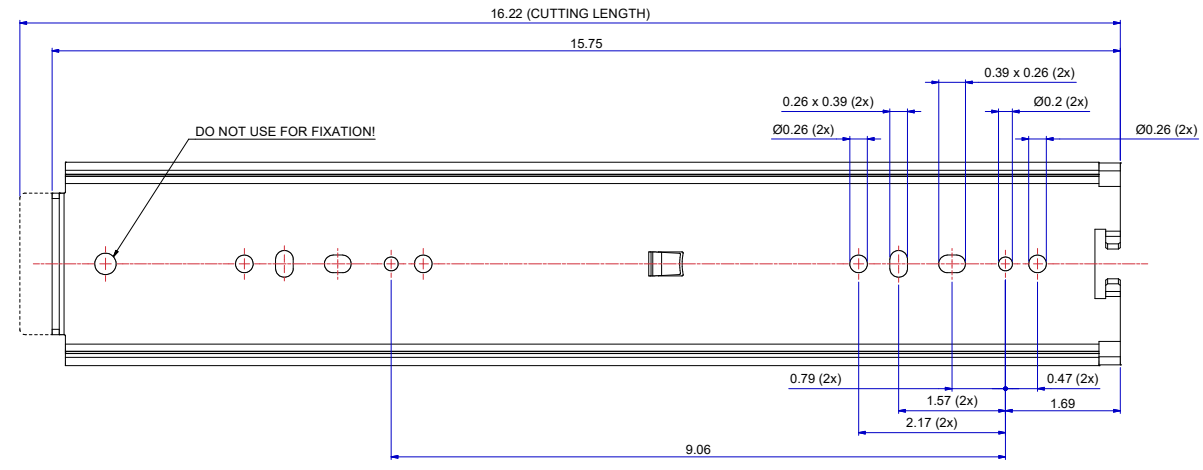
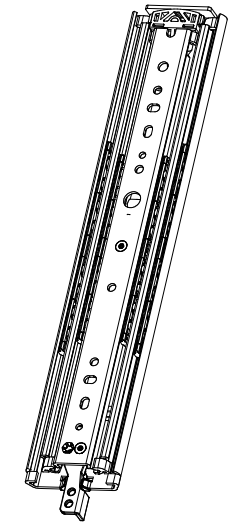
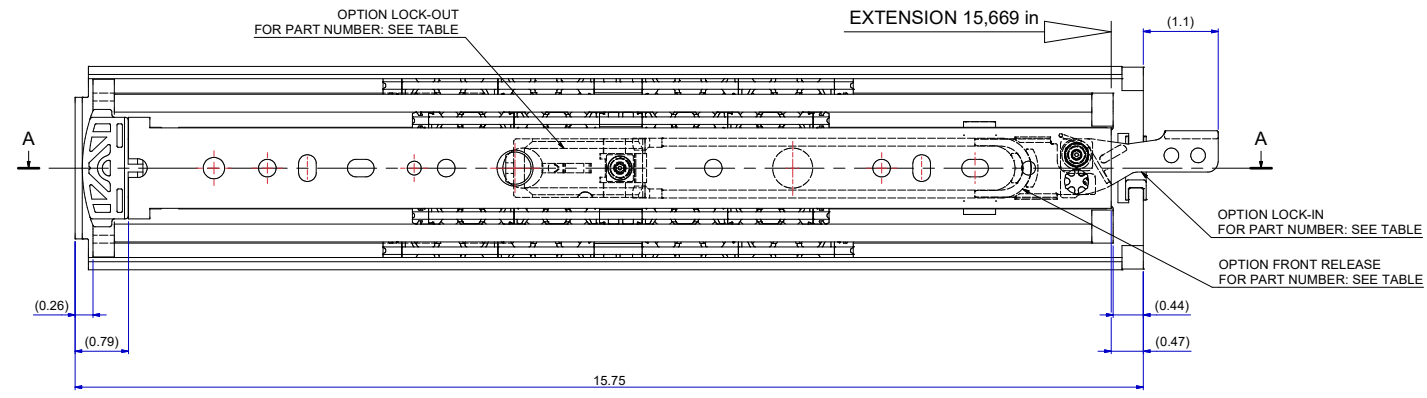
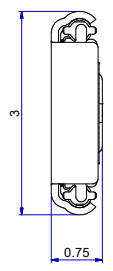


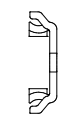
T 1-2 = 7,925 in  
T 2-3 = 7,744 in



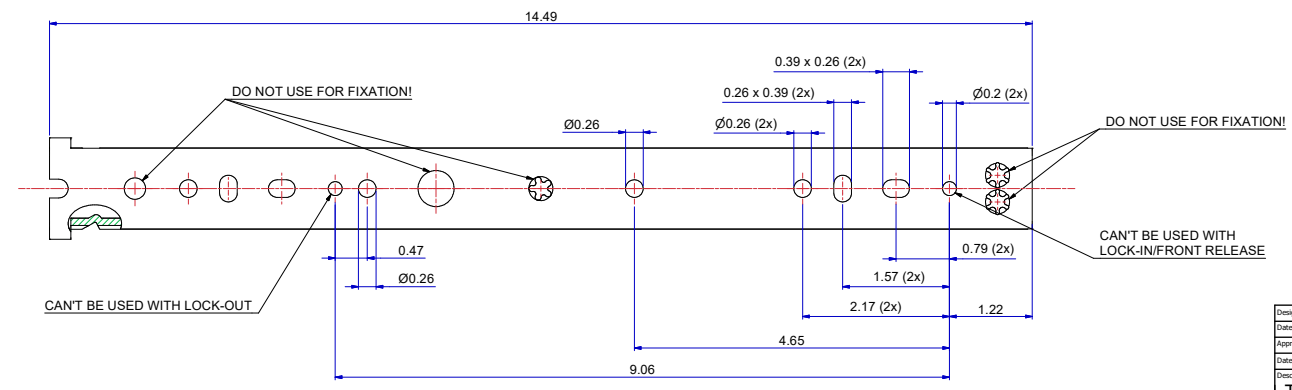
A-A (1:1)



511-14-S33-TC1



513-14-S33-TC3



SLIDE  
RIGHT HAND = LEFT HAND  
LOCK-IN/FRONT-RELEASE  
RIGHT HAND SIDE SHOWN, LEFT HAND SIDE IS MIRRORED

DIMENSIONS ARE CALCULATED FROM METRIC VALUES.  
DIMENSIONS BETWEEN MARKS ARE GUIDE DIMENSIONS.  
THOMAS REGOUT INT. B.V. RESERVES THE RIGHT TO ALTER  
NON-CUSTOMER SPECIFIC SPECIFICATIONS WITHOUT NOTICE.

Designer	R. Cornelisse	Gen.Tol.Dim.	± 0.5	Third angle projection	Material
Date	11-2-2021	Gen.Tol.Angle	± 0.5		Treatment
Approver		Gen.Roughness	Ra		Draw type: Fabrication
Date		Units	mm/deg.	Scale: 1 : 1	Type
Description					
TR7619 400 / 398 (19,1mm)					
Form	A1	THOMAS REGOUT INTERNATIONAL B.V.		Item No.	114-S33
STANDARD	114S33	LOCK-IN	114S33A	LOCK-OUT	114S33B
PART NUMBER	114S33	LOCK-IN & LOCK-OUT & FRONT-RELEASE	114S33D		
© THOMAS REGOUT INTERNATIONAL B.V. Industrieweg 40, 6219 NR, Maastricht, The Netherlands, +31 (0)43 351 66 66 All rights are reserved.					

Released for Production

Revision: 00