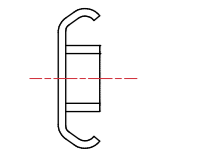
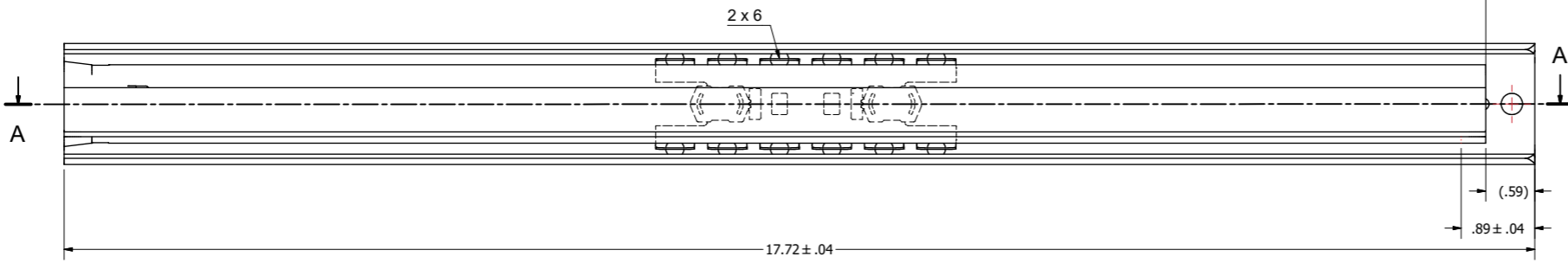
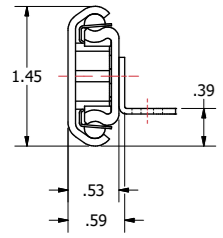
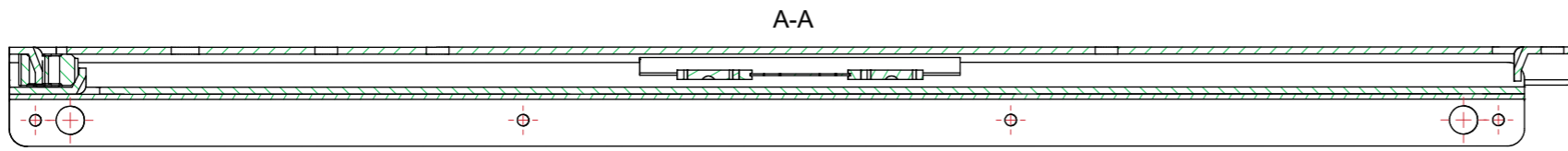
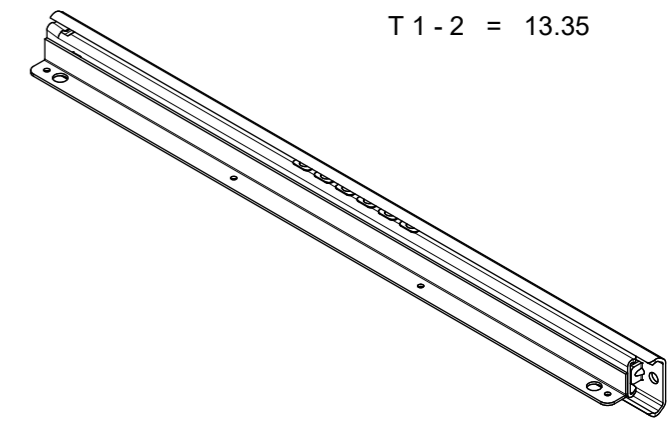
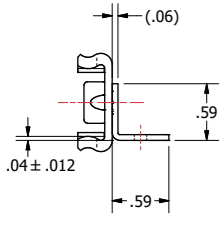
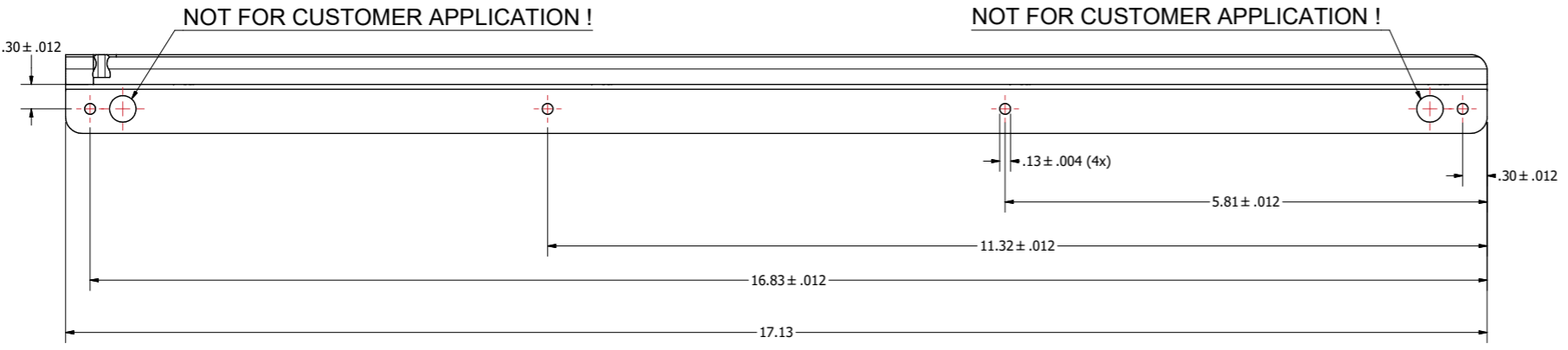
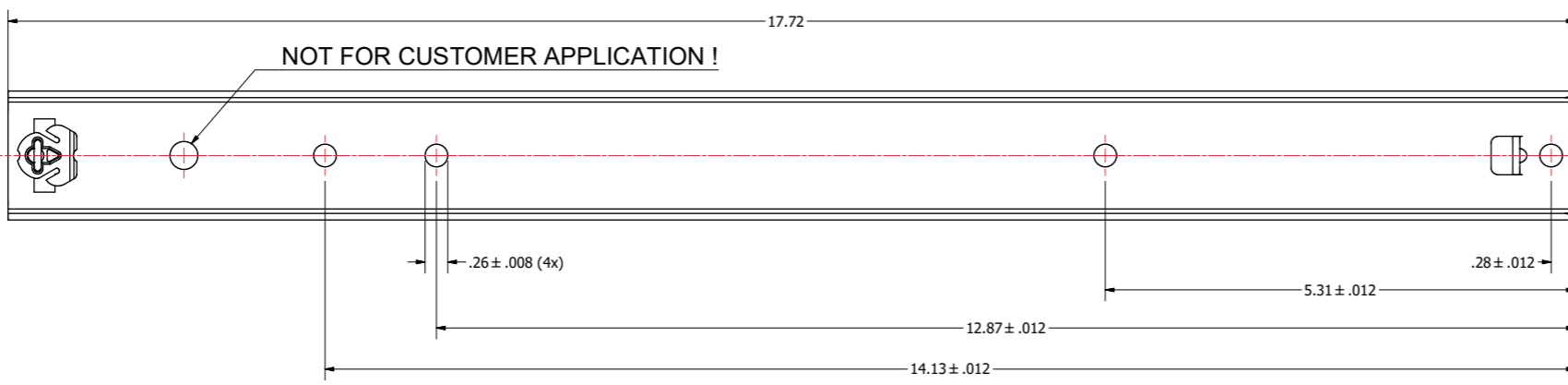


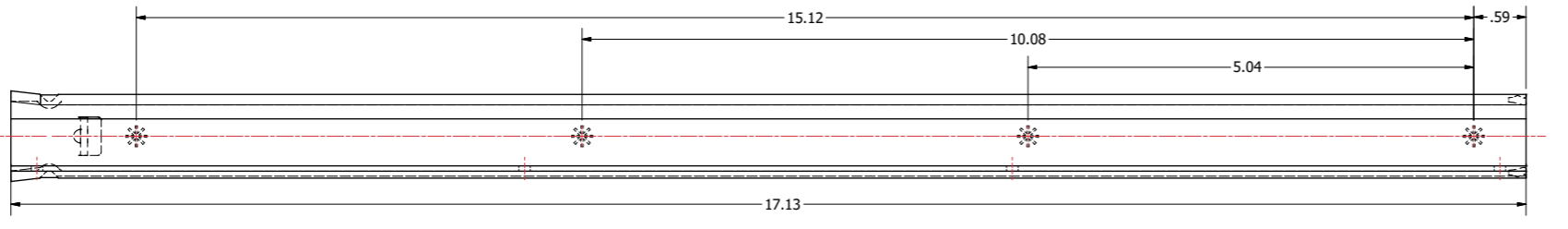
T 1 - 2 = 13.35



511-07-242-FA1



513-07-242-FA2



Right hand slide is shown part.
Left hand slide is opposite part.

Dimensions between marks are guide dimensions.

Thomas Regout Int. B.V. reserves the right to alter non-customer specific specifications without notice.

DIMENSIONS ARE CALCULATED FROM METRIC VALUES.

Released for Production

Designer	J.Bastings	Gen.Tol.Dim.	± 0.0197	Third angle projection	Material
Date	15-6-2015	Gen.Tol.Angle	± 0.0197		Treatment
Approver		Gen.Roughness	Ra		Draw type
Date		Units	inch/deg.	Scale	1 : 1
Description				Type	Model No.
FINN 17.72 / 13.35 (.53) FINN 450 / 339 (13,5mm)				Released for Production	E000031986
Format	A1	Item No.	107242	Revision	00
© THOMAS REGOUT INTERNATIONAL BV, Industrieweg 40, 6219 NR, Maastricht, The Netherlands, +31 (0)43 351 66 66 All rights are reserved.					

00	15-06-2015	GETEREND IN INVENTOR, LASPUNTEN	W.Jans
Rev	Date	Description	Designer