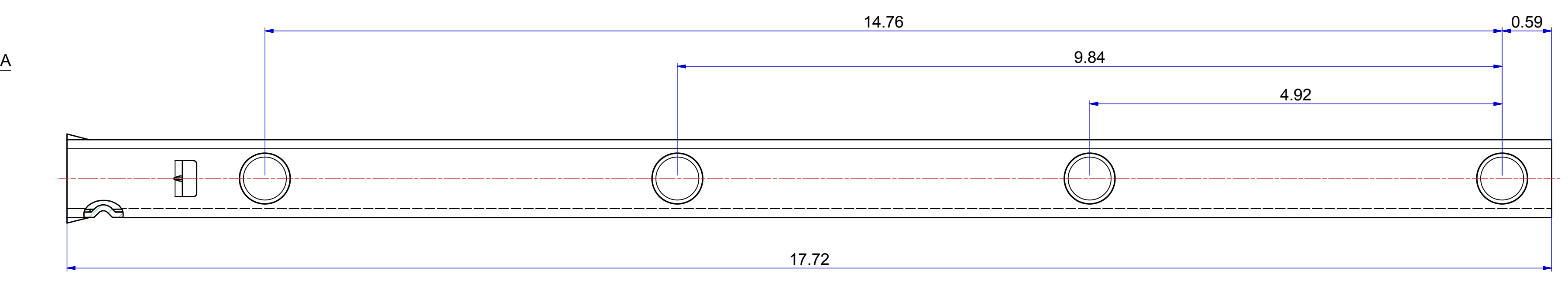
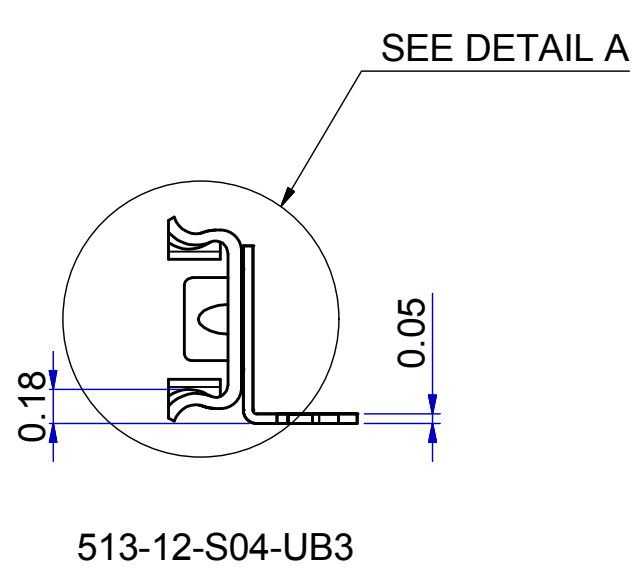
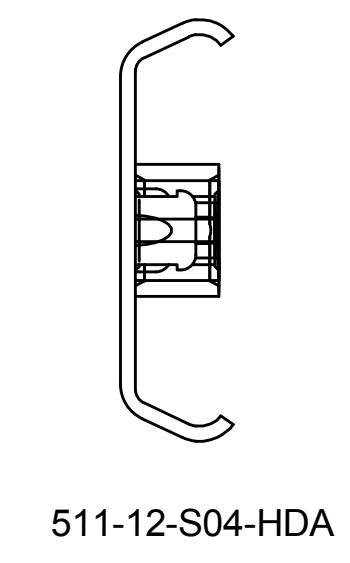
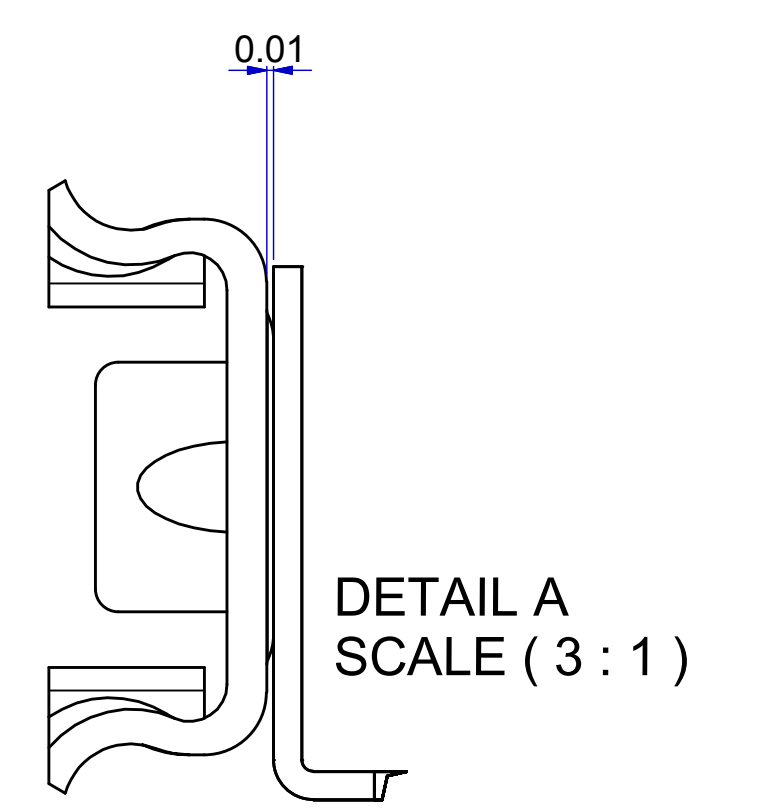
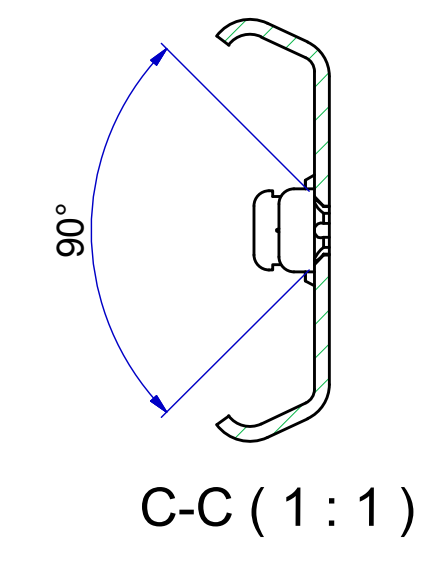
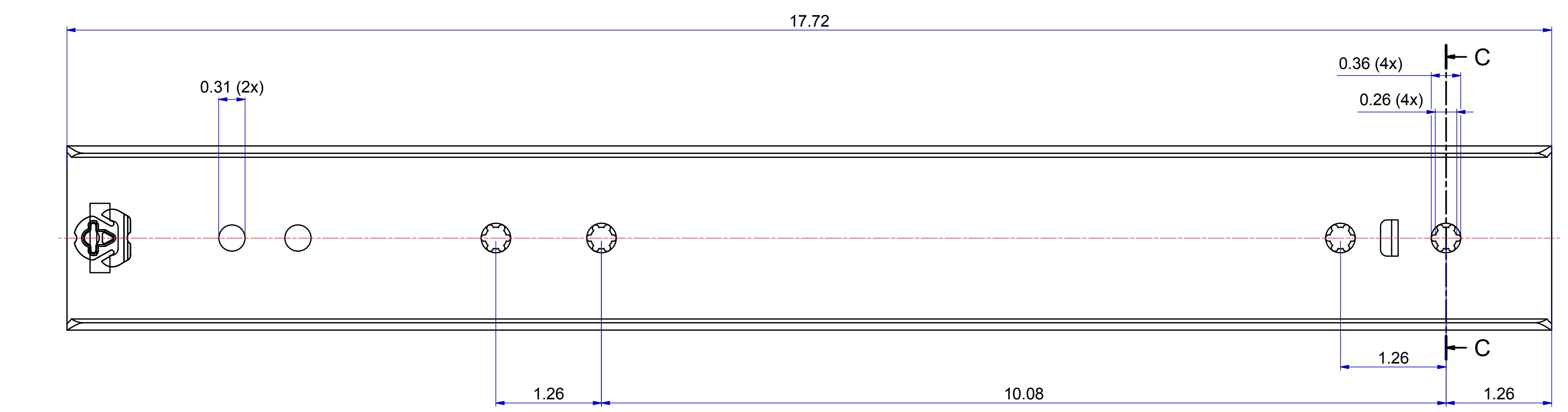
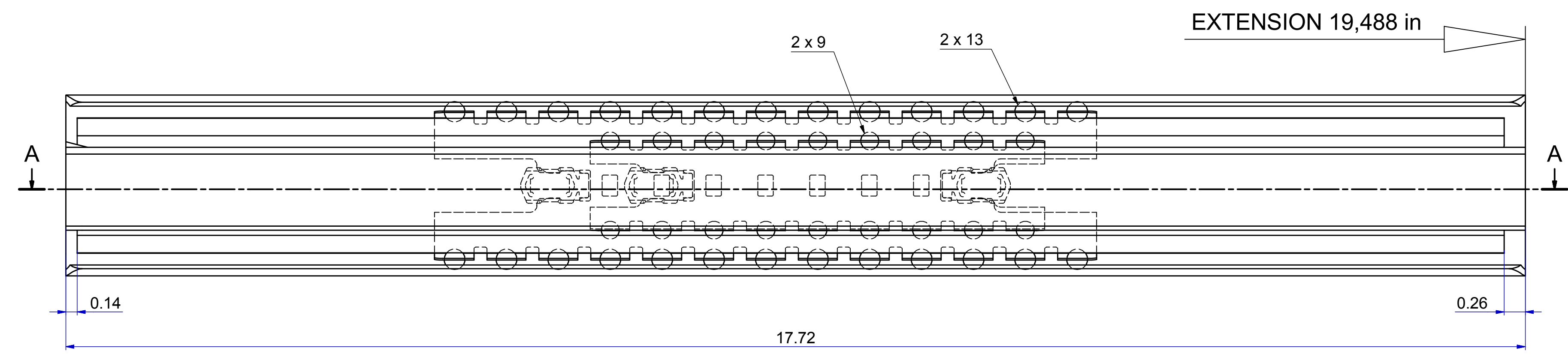
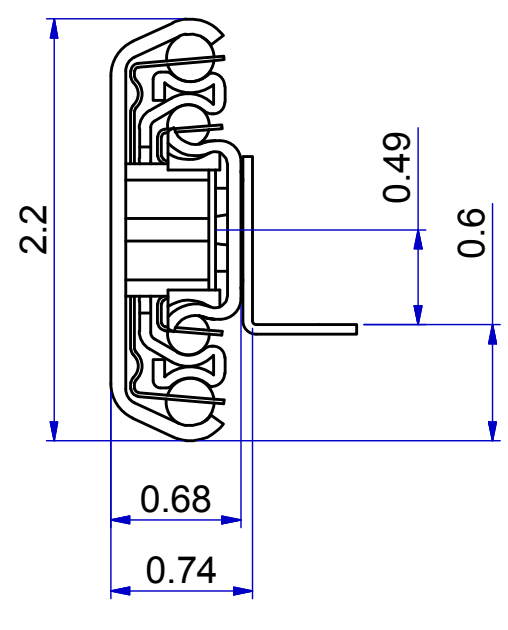
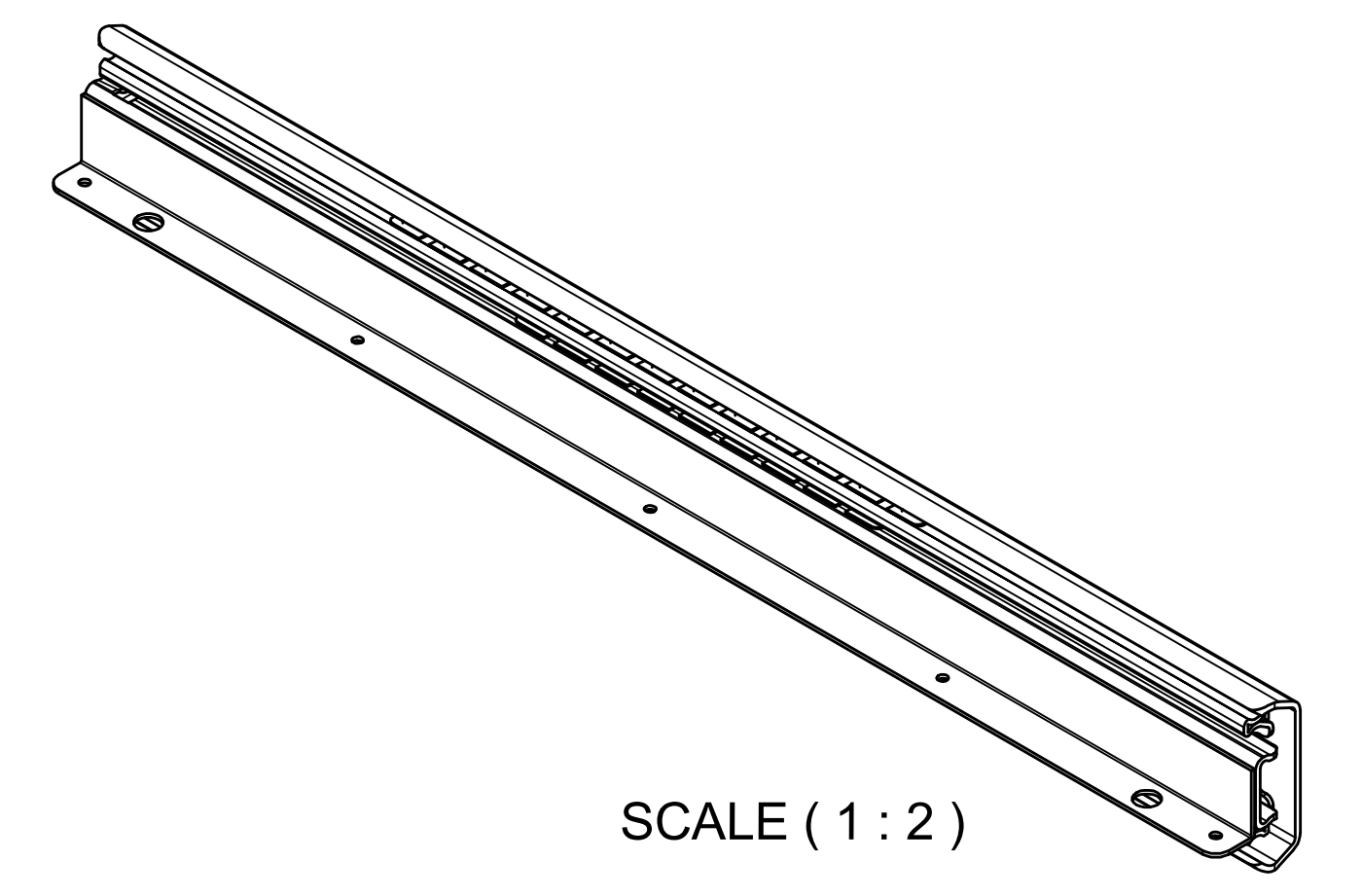
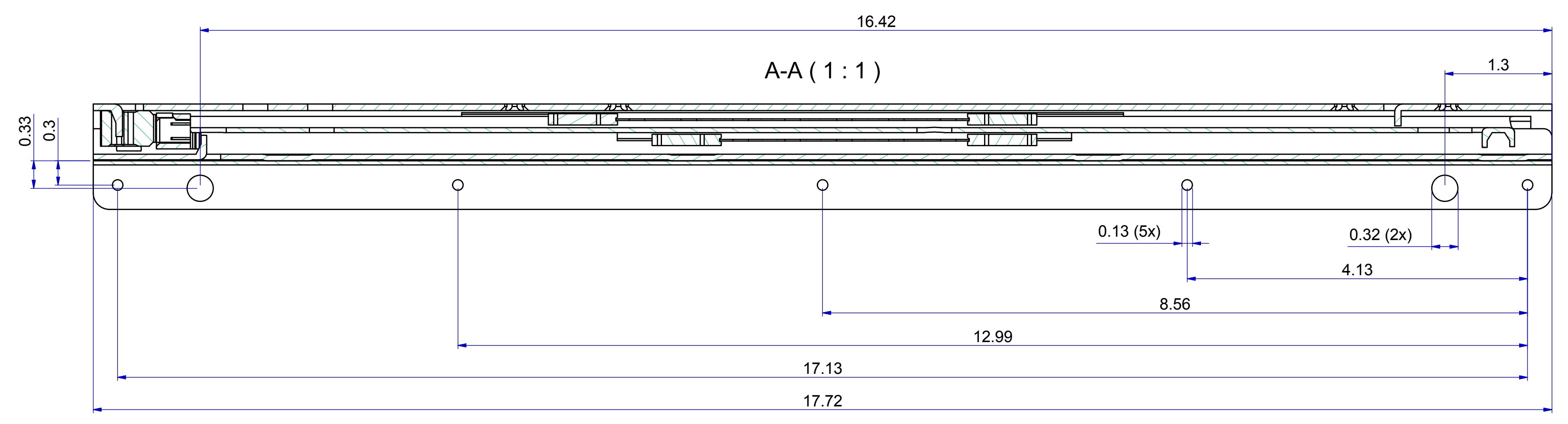


T 1-2 = 8,681 in
T 2-3 = 10,807 in



DIMENSIONS ARE CALCULATED FROM METRIC VALUES
THOMAS REGOUT B.V. RESERVES THE RIGHT TO ALTER NON-CUSTOMER SPECIFICATIONS WITHOUT NOTICE

Designer	D.Koper	Gen.Tol.Dim.	Third angle projection	Material	Generic
Date	22-10-2015	Gen.Tol.Angle		Treatment	
Approver		Gen.Roughness		Draw type	Fabrication
Date		Units	Inch/deg	Scale	1 : 1
Description			Released for Production		
ULF HD 450 / 495 (17,2mm) [17.72"/19.49"(0.677")]					
Format	THOMAS REGOUT INTERNATIONAL B.V.		Item No.	Revision	
A1			112-S04_Inch	00	
© THOMAS REGOUT INTERNATIONAL BV, Industrieweg 40, 6219 NR, Maastricht, The Netherlands, +31 (0)43 351 66 66 All rights are reserved.					