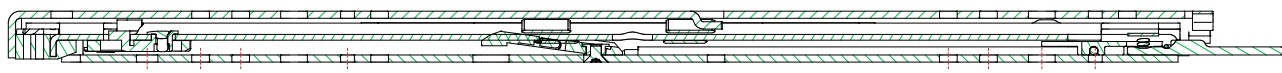
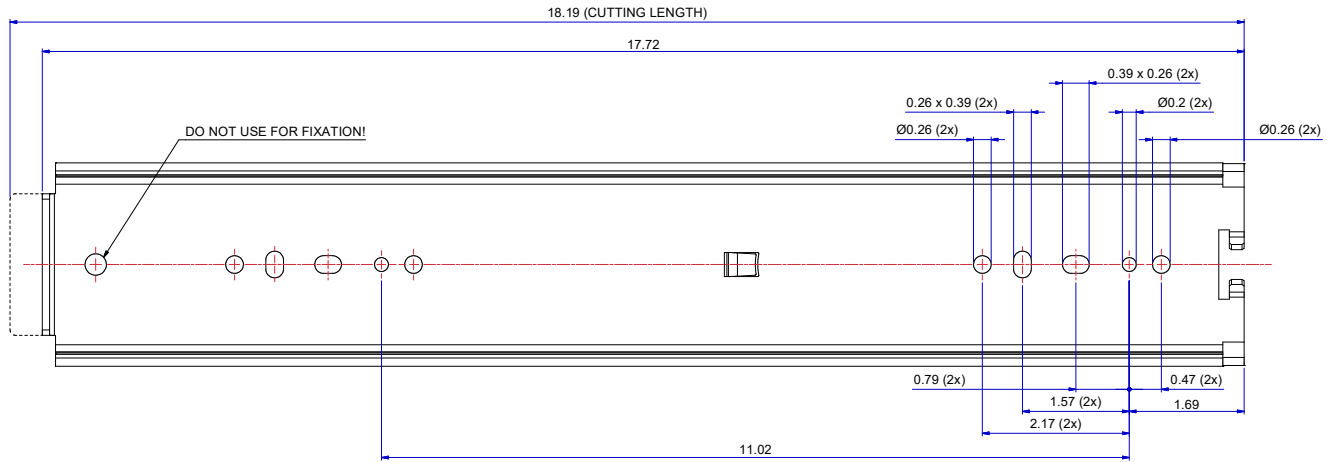
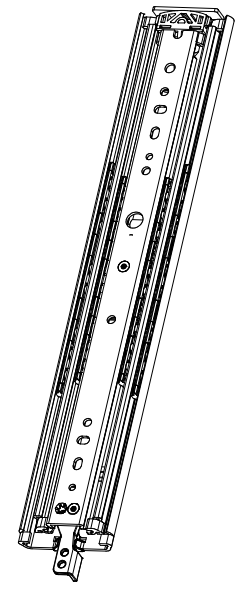
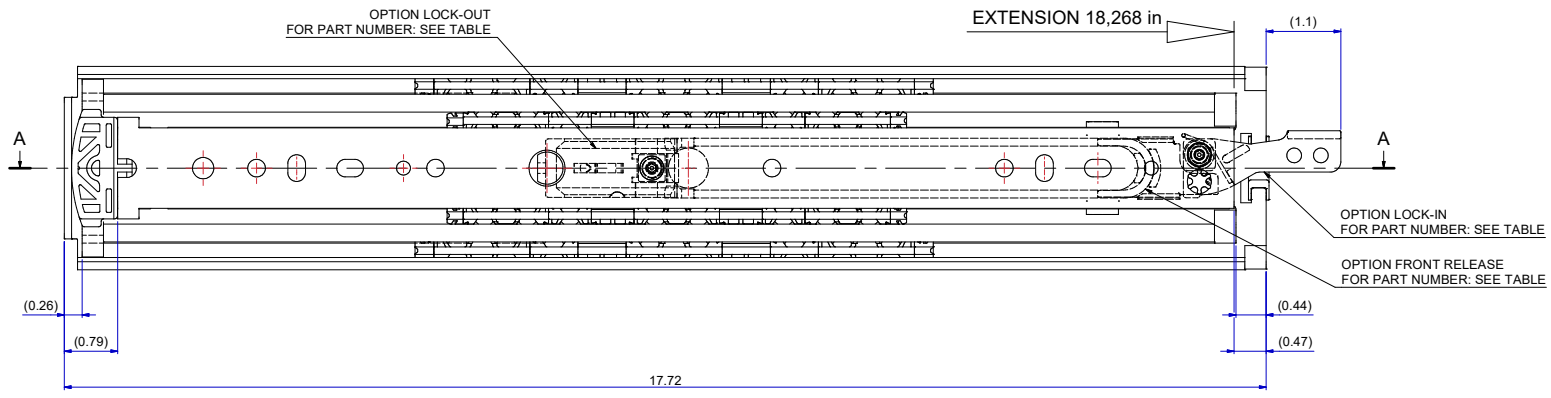
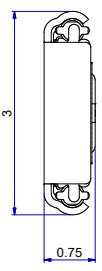


T 1-2 = 9,185 in  
T 2-3 = 9,083 in



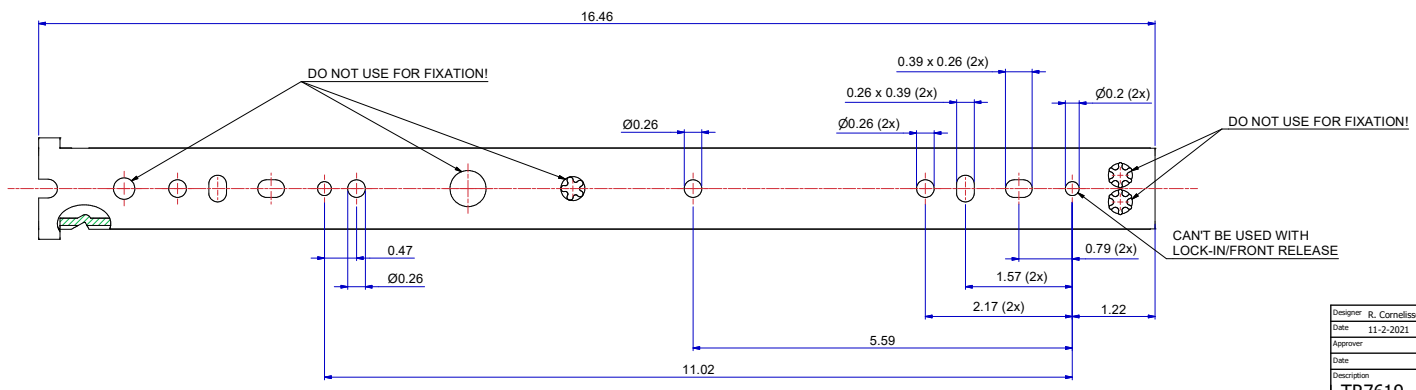
A-A (1:1)

EXTENSION 18,268 in



FRONT

511-14-S34-TC1



513-14-S34-TC3

SLIDE  
RIGHT HAND = LEFT HAND  
LOCK-IN/FRONT-RELEASE  
RIGHT HAND SIDE SHOWN, LEFT HAND SIDE IS MIRRORED

DIMENSIONS ARE CALCULATED FROM METRIC VALUES.  
DIMENSIONS BETWEEN MARKS ARE GUIDE DIMENSIONS.  
THOMAS REGOUT INT. B.V. RESERVES THE RIGHT TO ALTER  
NON-CUSTOMER SPECIFIC SPECIFICATIONS WITHOUT NOTICE.

Designer	R. Cornelisse	Gen.Tol.Dim.	± 0.5	Third angle projection	Material
Date	11-2-2021	Gen.Tol.Angle	± 0.5		Treatment
Approver		Gen.Roughness	Ra		Draw type
Date		Units	mm/deg.	Scale	1 : 1
Description		TR7619 450 / 464 (19,1mm)		Doc.No.	E000116848
Format		A1		Model No.	E000012303

PART NUMBER	STANDARD	LOCK-IN	LOCK-OUT	LOCK-IN & LOCK-OUT & FRONT-RELEASE	Item No.	Revision
114S34	114S34A	114S34B	114S34D	114S34E	114-S34	00

© THOMAS REGOUT INTERNATIONAL B.V. Industrieweg 40, 6219 NR, Maastricht, The Netherlands, +31 (0)43 351 66 66 All rights are reserved.