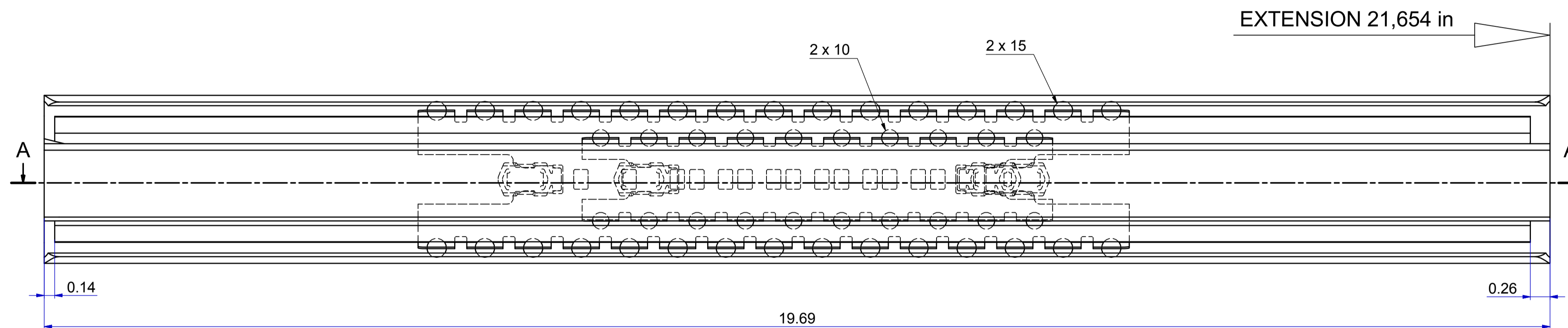
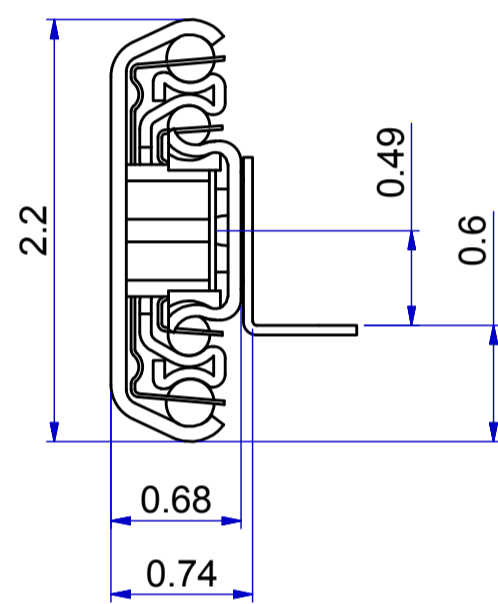
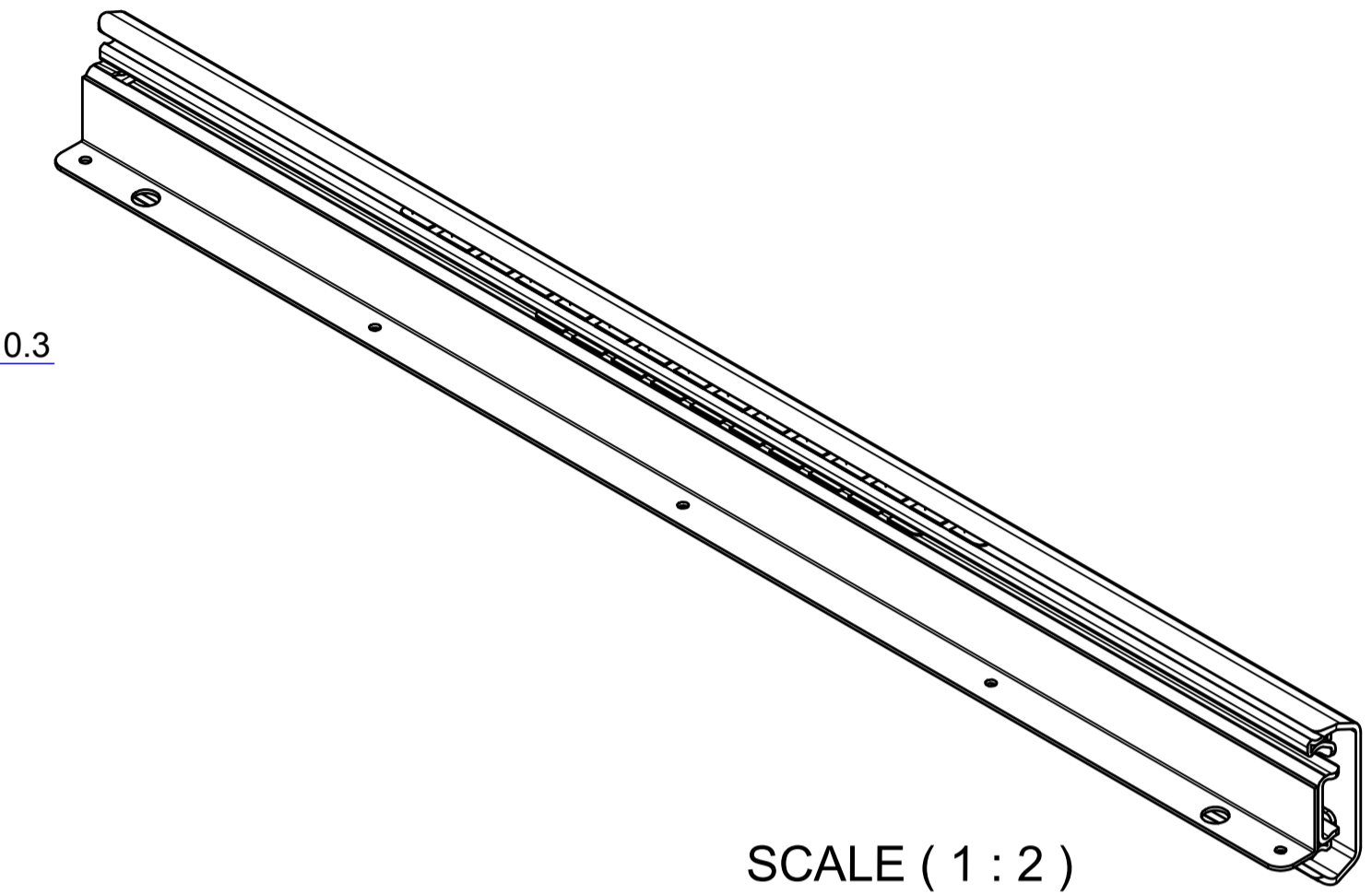
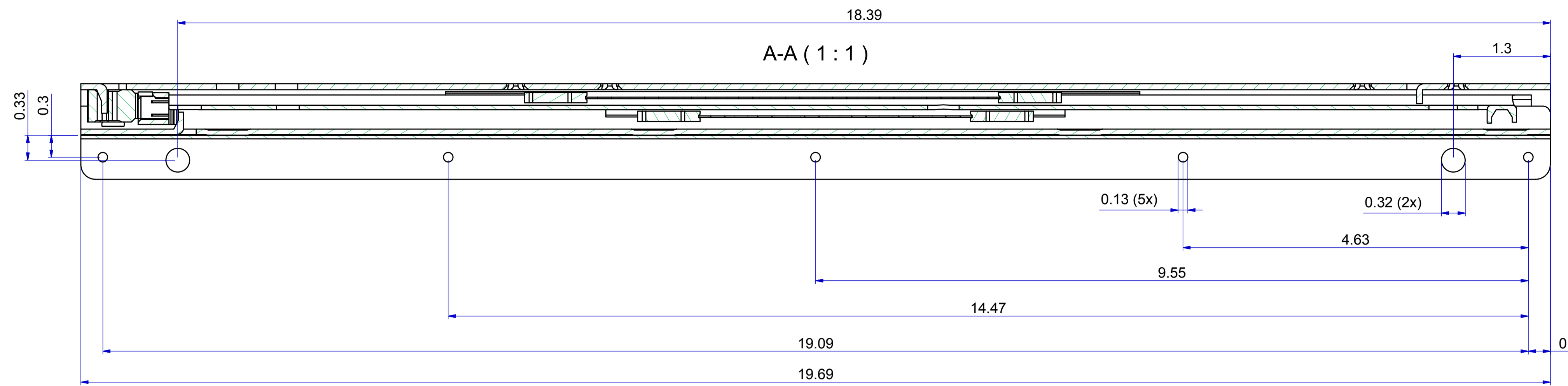
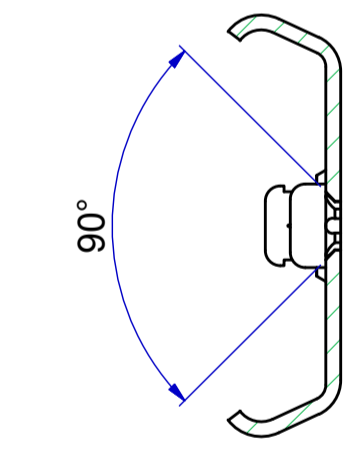
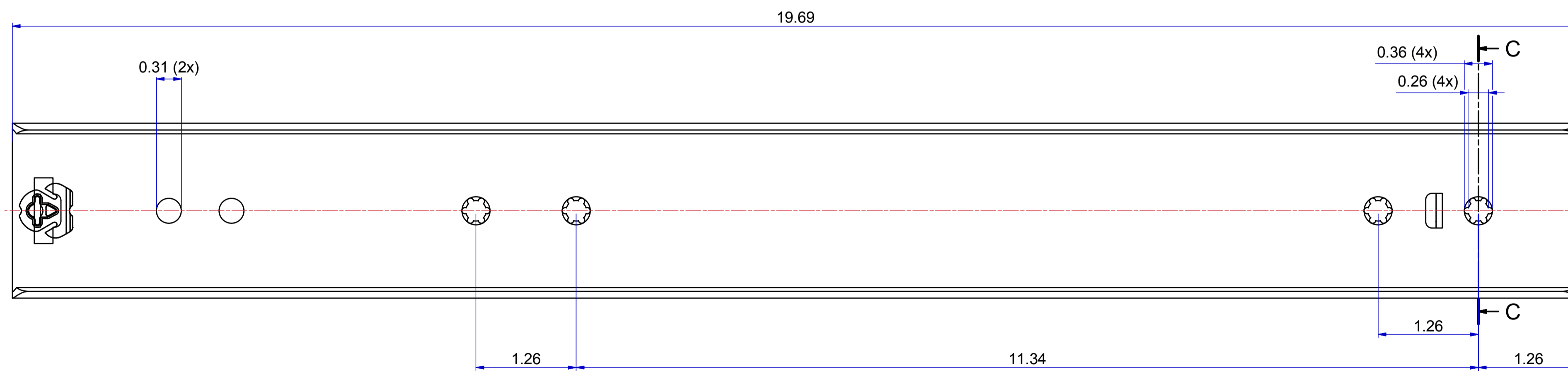


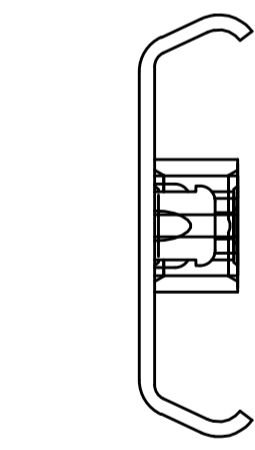
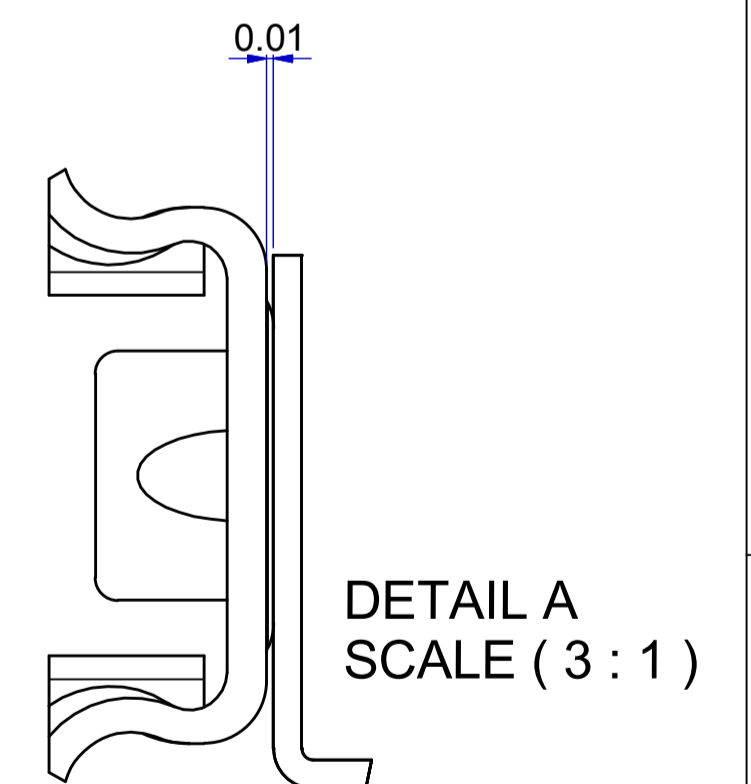
T 1-2 = 9,508 in
T 2-3 = 12,146 in



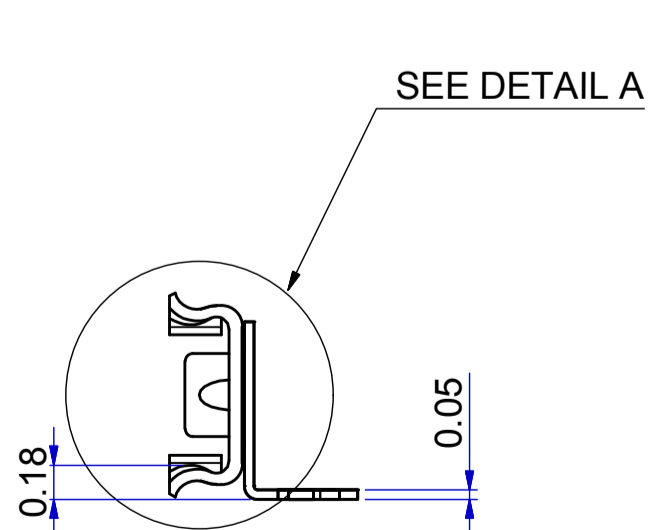
FRONT



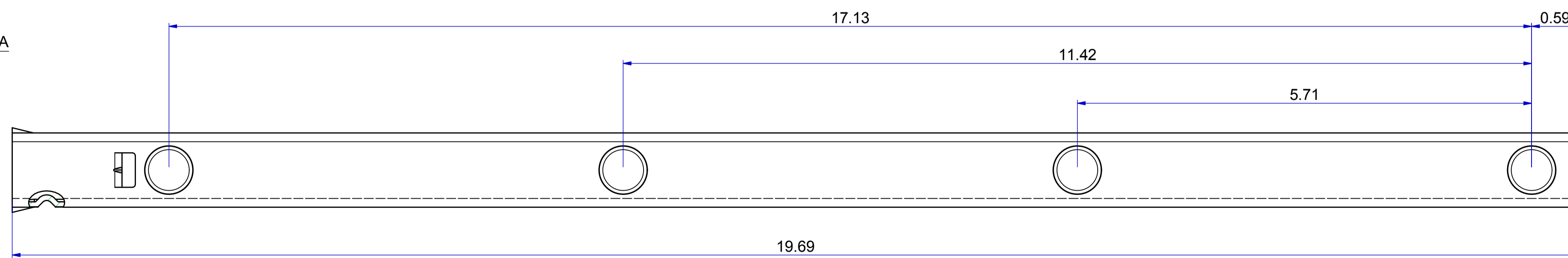
C-C (1:1)



511-12-S05-HDA



513-12-S05-UB3



DIMENSIONS ARE CALCULATED FROM METRIC VALUES
THOMAS REGOUT B.V. RESERVES THE RIGHT TO ALTER NON-CUSTOMER
SPECIFICATIONS WITHOUT NOTICE

Designer	D.Koper	Gen.Tol.Dim.	Third angle projection	Material	Generic
Date	22-10-2015	Gen.Tol.Angle		Treatment	
Approver		Gen.Roughness		Draw type	Fabrication
Date		Units	Inch/deg	Scale	1 : 1
				Type	Model No. E000036172

Description
ULF HD 500 / 550 (17,2mm) [19.69"/21.65"(0.677")]
Released for Production

Format	A1	THOMAS REGOUT INTERNATIONAL B.V.	Item No.	112-S05_Inch	Revision	00
--------	----	----------------------------------	----------	--------------	----------	----