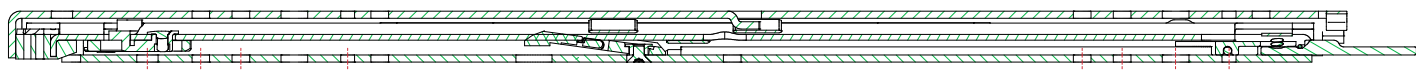
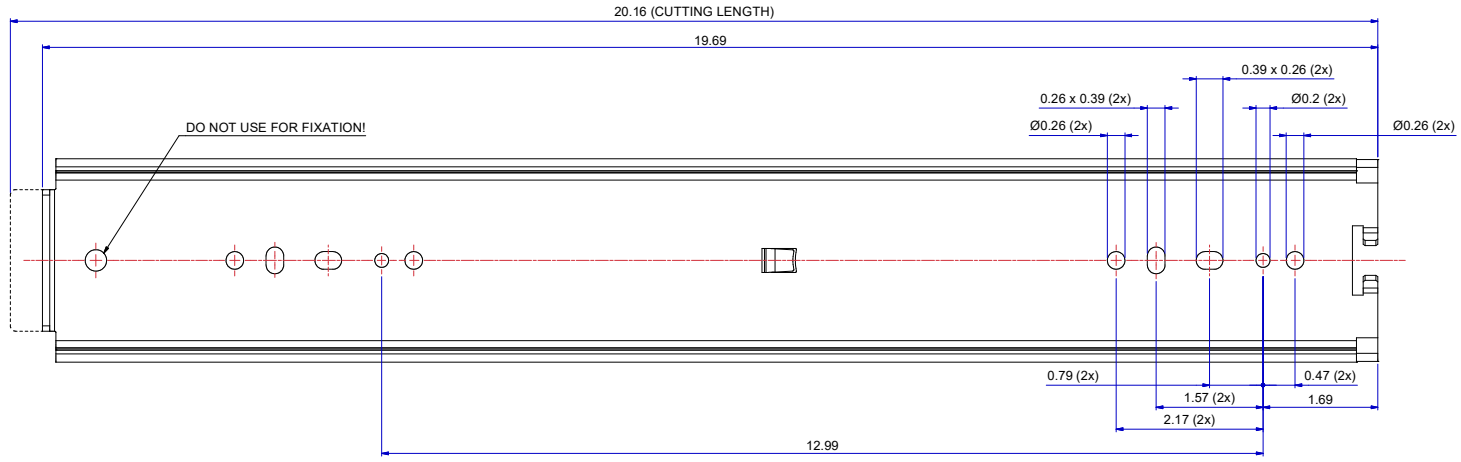
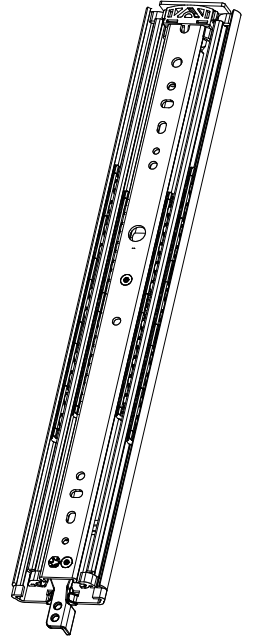
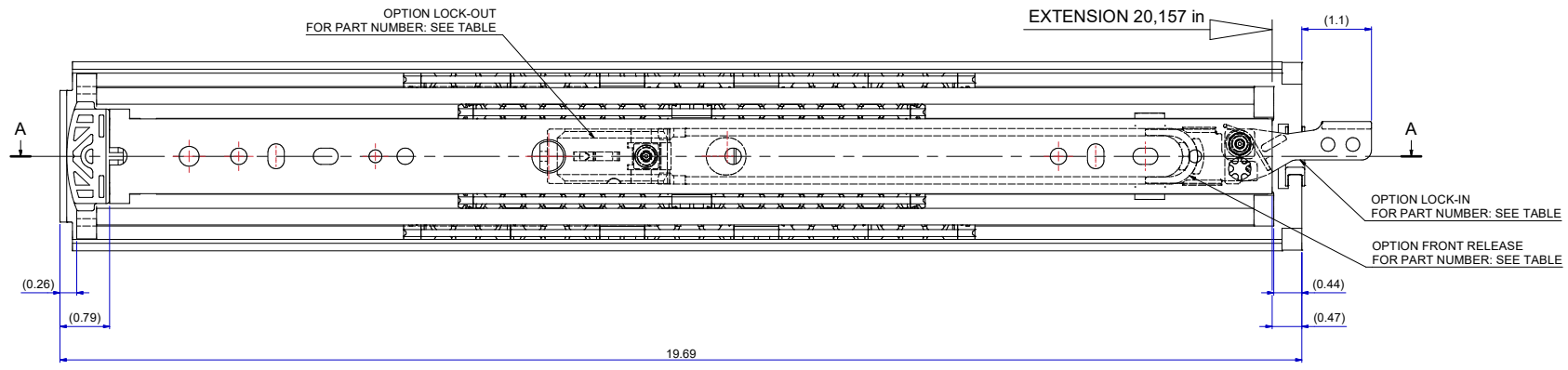


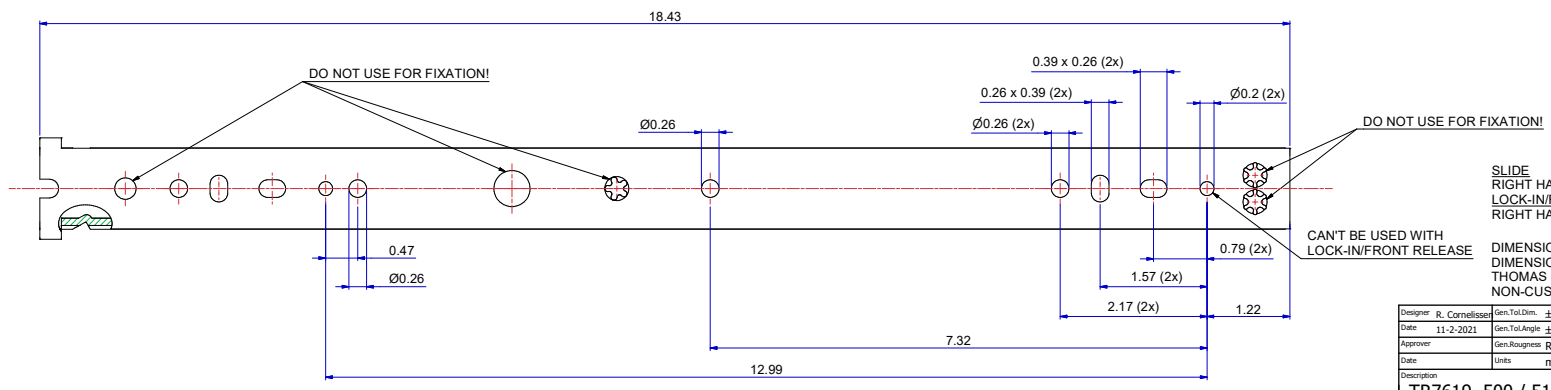
T 1-2 = 9,736 in
T 2-3 = 10,421 in



A-A (1:1)



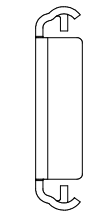
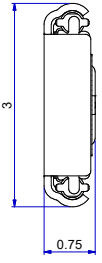
FRONT



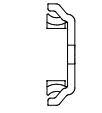
SLIDE
RIGHT HAND = LEFT HAND
LOCK-IN/FRONT-RELEASE
RIGHT HAND SIDE SHOWN, LEFT HAND SIDE IS MIRRORED

DIMENSIONS ARE CALCULATED FROM METRIC VALUES.
THOMAS REGOUT INT. B.V. RESERVES THE RIGHT TO ALTER
NON-CUSTOMER SPECIFIC SPECIFICATIONS WITHOUT NOTICE.

Designer	R. Cornelisse	Gen.Tol.Dim.	± 0.5	Third angle projection	Material
Date	11-2-2021	Gen.Tol.Angle	± 0.5		Treatment
Approver		Gen.Roughness	Ra		Draw type
Date		Units	mm/deg.	Scale	1 : 1
Description				TR7619 500 / 512 (19,1mm)	
Format	A1	THOMAS REGOUT INTERNATIONAL B.V.		Item No.	114-S35
Part Number	114S35	Lock-In	114S35A	Lock-Out	114S35B
		Lock-In & Lock-Out & Front-Release	114S35C		Revision
© THOMAS REGOUT INTERNATIONAL B.V. Industrieweg 40, 6219 NR, Maastricht, The Netherlands, +31 (0)43 351 66 66 All rights are reserved.					



511-14-S35-TC1



513-14-S35-TC3

STANDARD	114S35	LOCK-IN	114S35A	LOCK-OUT	114S35B	LOCK-IN & LOCK-OUT & FRONT-RELEASE	114S35C
PART NUMBER	114S35						