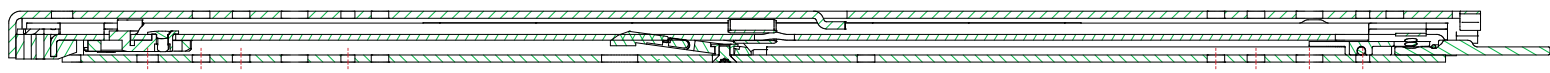
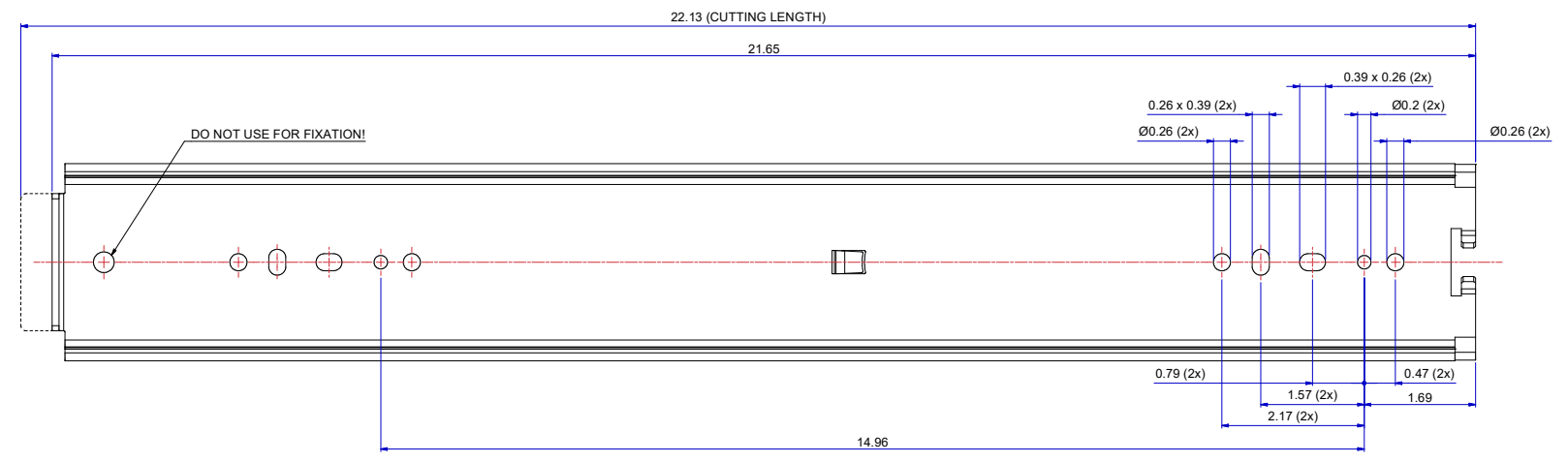
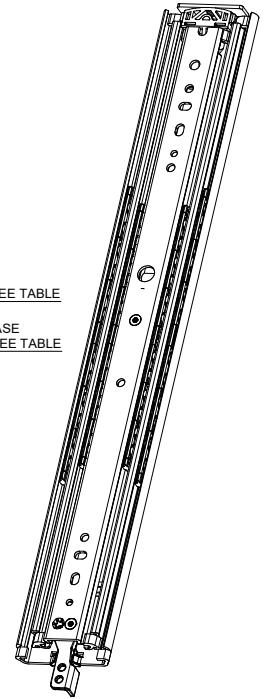
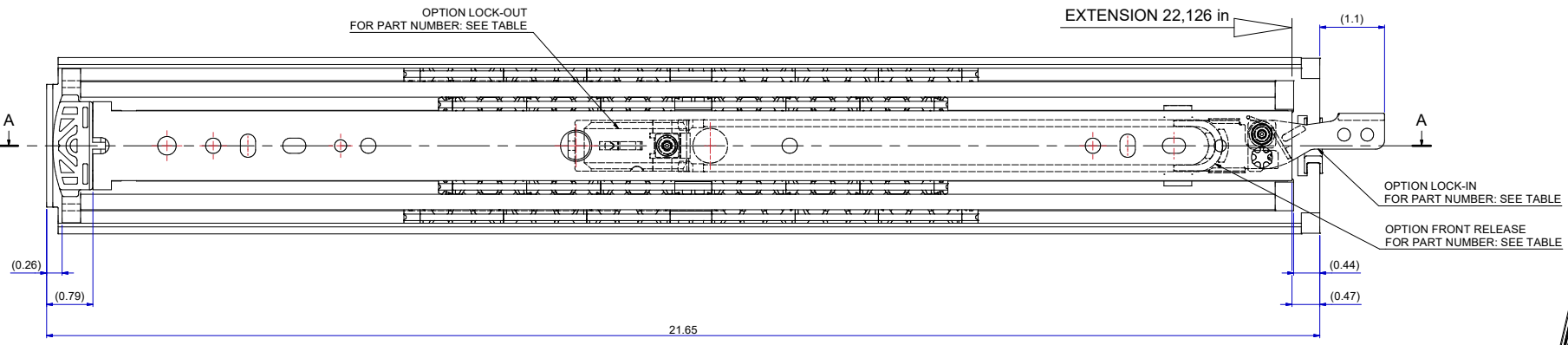
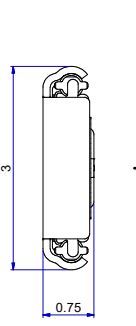


T 1-2 = 10,996 in
T 2-3 = 11,130 in

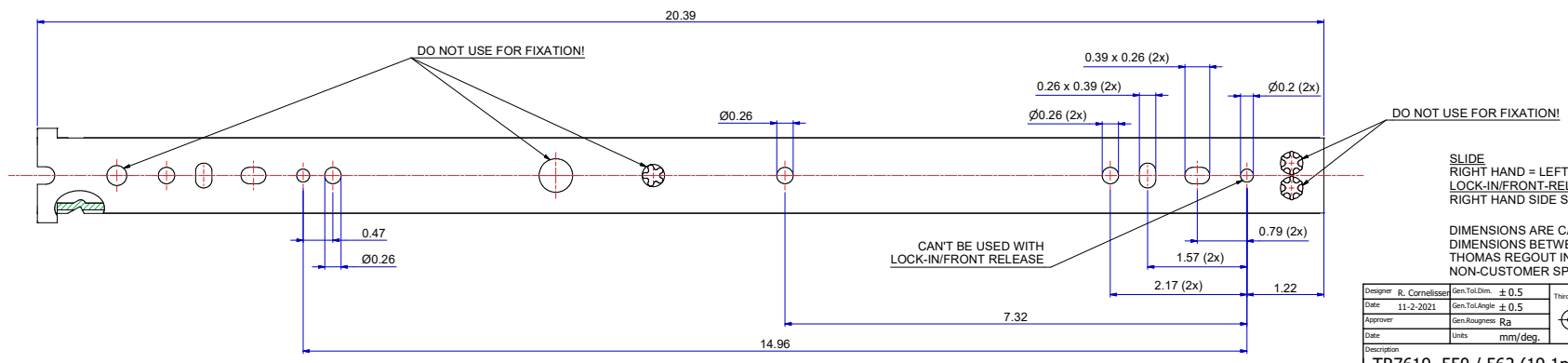


A-A (1:1)



511-14-S36-TC1

FRONT



513-14-S36-TC3

SLIDE
RIGHT HAND = LEFT HAND
LOCK-IN/FRONT-RELEASE
RIGHT HAND SIDE SHOWN, LEFT HAND SIDE IS MIRRORED

DIMENSIONS ARE CALCULATED FROM METRIC VALUES.
DIMENSIONS BETWEEN MARKS ARE GUIDE DIMENSIONS.
THOMAS REGOUT INT. B.V. RESERVES THE RIGHT TO ALTER
NON-CUSTOMER SPECIFIC SPECIFICATIONS WITHOUT NOTICE.

Designer	R. Cornelisse	Gen.Tol.Dim.	± 0.5	Third angle projection	Material
Date	11-2-2021	Gen.Tol.Angle	± 0.5		Treatment
Approver		Gen.Roughness	Ra		Draw type: Fabrication
Date		Units	mm/deg.		Doc.No. E000116865
Description					Scale: 1 : 1
TR7619 550 / 562 (19,1mm)					Model No. E000012303

Format	A1	STANDARD	114S36	LOCK-IN	114S36A	LOCK-OUT	114S36B	LOCK-IN & LOCK-OUT & FRONT-RELEASE	114S36C
Part Number									

Released for Production	Item No.	Revision
THOMAS REGOUT INTERNATIONAL B.V.	114-S36	00
© THOMAS REGOUT INTERNATIONAL B.V. Industrieweg 40, 6219 NR, Maastricht, The Netherlands, +31 (0)43 351 66 66 All rights are reserved.		