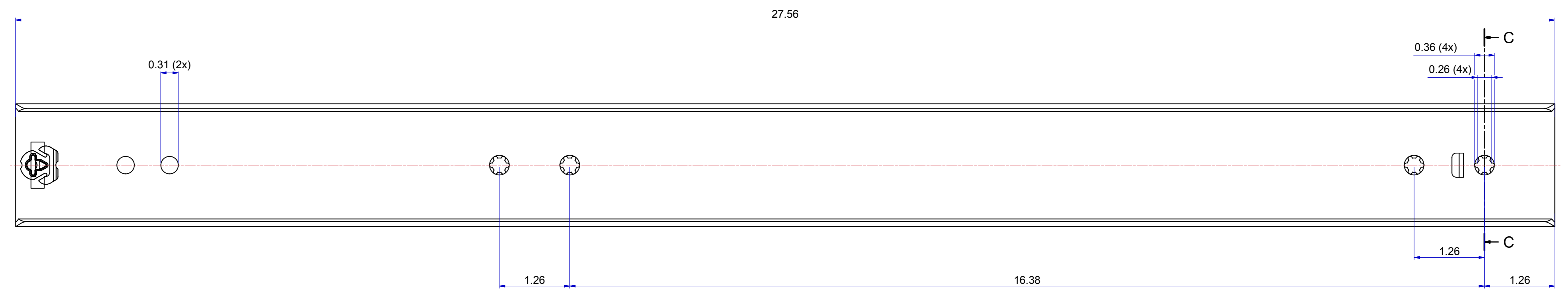
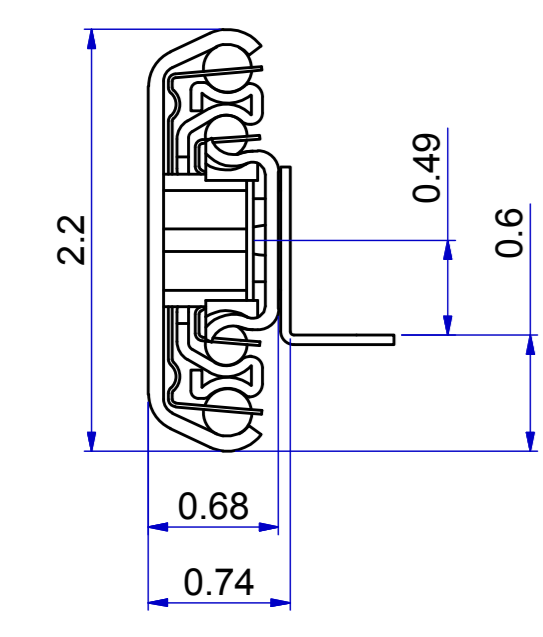
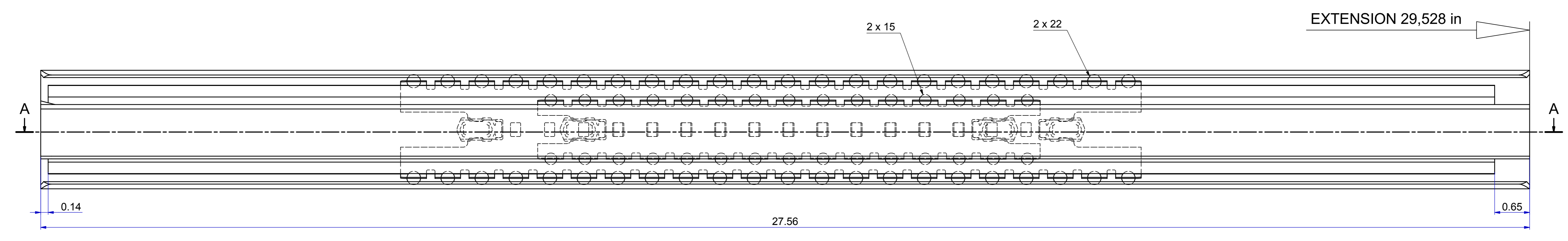
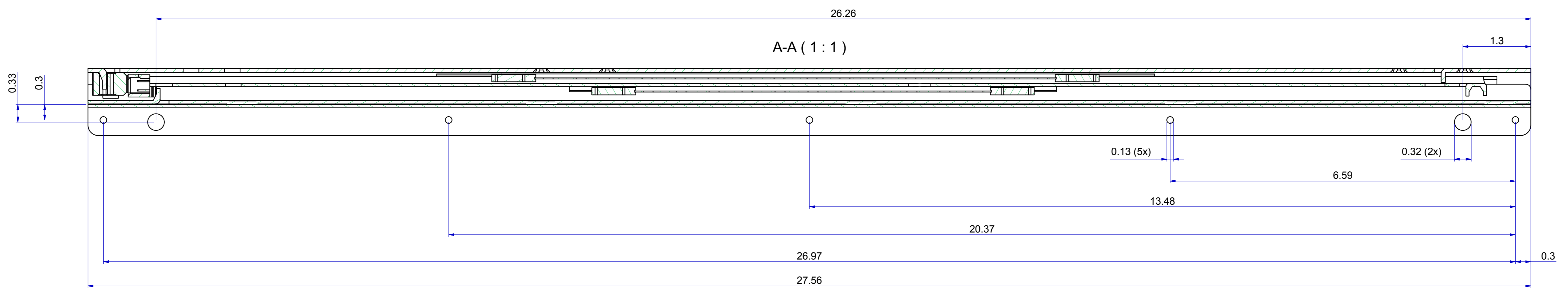
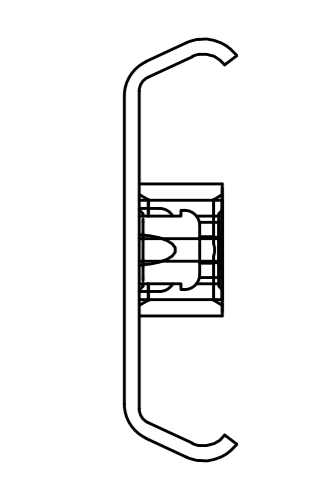
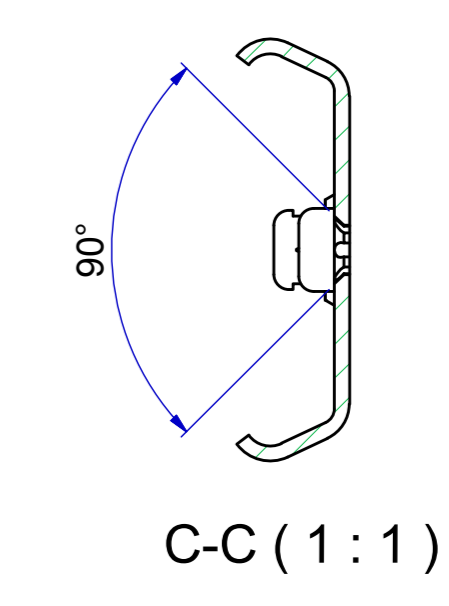


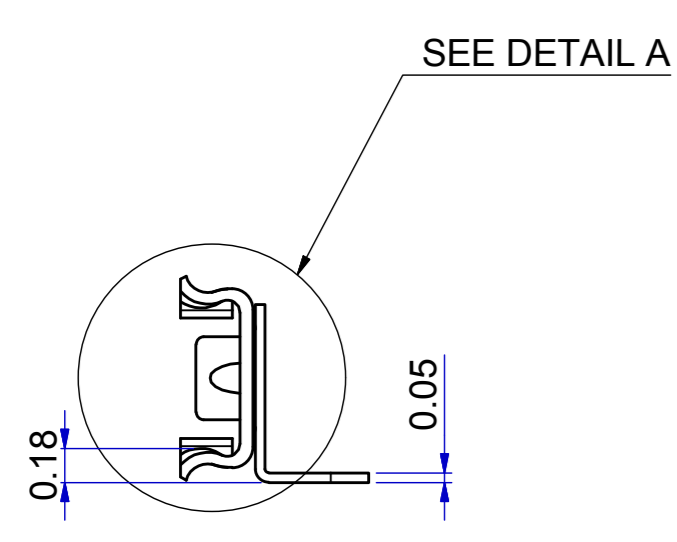
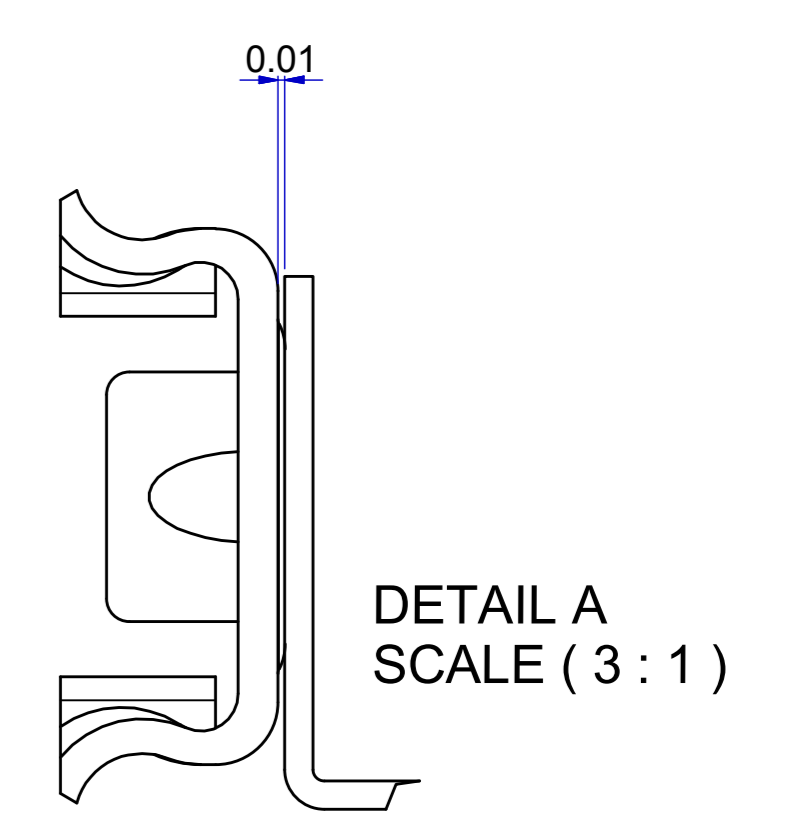
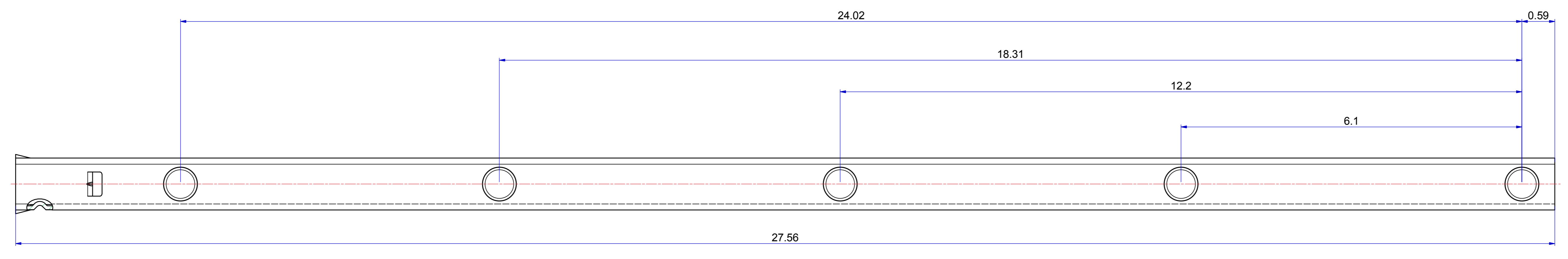
T 1-2 = 13,051 in
T 2-3 = 16,476 in



FRONT



511-12-S08-HDA



513-12-S08-UB3

DIMENSIONS ARE CALCULATED FROM METRIC VALUES
THOMAS REGOUT B.V. RESERVES THE RIGHT TO ALTER NON-CUSTOMER SPECIFICATIONS WITHOUT NOTICE

Designer: D.Kopper	Gen.Tol.Dim.	Third angle projection	Material: Generic
Date: 22-10-2015	Gen.Tol.Angle	Treatment	
Approver: Gen.Roughness		Draw type: Fabrication	Doc.No: E000095349
Date:	Units: Inch/deg	Scale: 1:1	Type: Model No: E000036178
Description: ULF HD 700 / 750 (17,2mm) [27.56"/29.53"(0.677")]			
Format: A0	THOMAS REGOUT INTERNATIONAL B.V.	Item No: 112-S08_Inch	Revision: 00
© THOMAS REGOUT INTERNATIONAL B.V., Industrieweg 40, 6219 NR, Maastricht, The Netherlands, +31 (0)43 353 66 66 All rights are reserved.			